

Accessories to T-Line



See below:
[Approvals and Compliances](#)

References

Weblinks

[pdf data sheet](#), [html datasheet](#), [General Product Information](#), [Distributor-Stock-Check](#), [Detailed request for product](#), [Product News](#)

Approvals and Compliances

Detailed information on product approvals, code requirements, usage instructions and detailed test conditions can be looked up in [Details about Approvals](#)

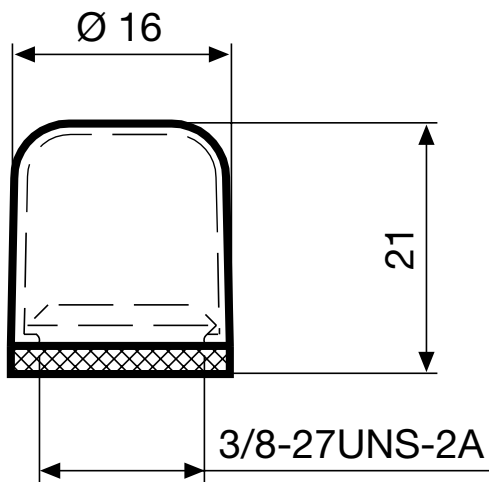
SCHURTER products are designed for use in industrial environments. They have approvals from independent testing bodies according to national and international standards. Products with specific characteristics and requirements such as required in the automotive sector according to IATF 16949, medical technology according to ISO 13485 or in the aerospace industry can be offered exclusively with customer-specific, individual agreements by SCHURTER.

Compliances

The product complies with following Guide Lines

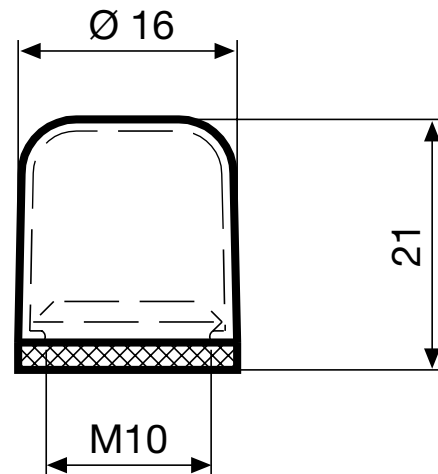
Identification	Details	Initiator	Description
REACH	REACH	SCHURTER AG	On 1 June 2007, Regulation (EC) No 1907/2006 on the Registration, Evaluation, Authorization and Restriction of Chemicals 1 (abbreviated as "REACH") entered into force.

Dimension [mm]



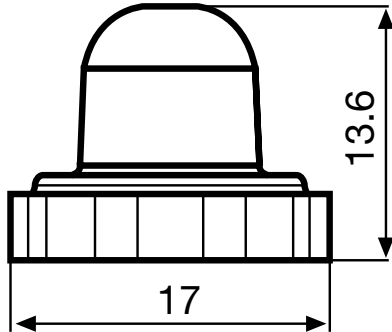
Accessories TZZ01

Protective transparent cover, degree of protection IP54



Accessories TZZ02

Protective transparent cover, degree of protection IP54



Accessories TZZ31

All Variants

Suitable for	Designation	Order Number
TM12-211, TM12-212, TM12-221, TM12-222	CBE TZZ02	4400.0402
T11-211, T11-214, T11-311, T11-314, T12-211, T12-212, T12-221, T12-222, T13-211, T13-212	CBE TZZ01	4400.0405
T11-211, T11-214, T11-311, T11-314, T9-211, T9-311	CBE TZZ31	4404.0039

Most Popular:

Availability for all products can be searched real-time: <https://www.schurter.com/en/info-center/support-tools/stock-check-distributors>

Packaging Unit

1 Pcs