

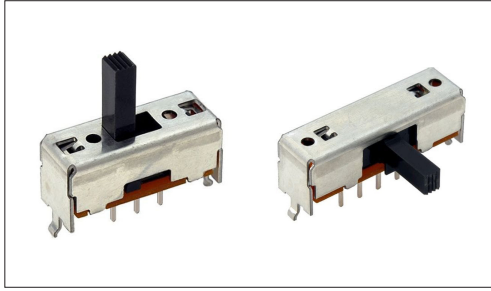
Switches

Slide Switches

8.5 (H) mm, 3.0mm-travel

SSSU Series

Large general-purpose type with a wide variety of knob options.



- Rating (max.)/(min.) (Resistive load): 0.1 A 30V DC/50 μ A 3V DC
- Contact resistance (Initial performance/After lifetime):
25m Ω max./65m Ω max.
- Operating life without load: 10,000 cycles 45m Ω max.
- Operating life with load (at max. rated load): 10,000 cycles 65m Ω max.

Applications: Audio_TV: Audio

■ Product List

Products No.	Actuator directions	Travel (mm)	Poles	Positions	Operating force	Changeover timing	Soldering	Dimensions (WxDxH) (mm)	Automotive	Drawing No.
SSSU011700	Vertical	3.0	1	2	Refer to the dimensions.	Non shorting	Manual, Dip	18.5×7.0×8.5	—	1
SSSU012200	Vertical	3.0	1	2	Refer to the dimensions.	Non shorting	Manual, Dip	18.5×7.0×8.5	—	2
SSSU014800	Vertical	3.0	1	3	Refer to the dimensions.	Non shorting	Manual, Dip	24.5×7.0×8.5	—	3
SSSU015100	Vertical	3.0	1	3	Refer to the dimensions.	Non shorting	Manual, Dip	24.5×7.0×8.5	—	4
SSSU022400	Vertical	3.0	2	2	Refer to the dimensions.	Non shorting	Manual, Dip	18.5×7.0×8.5	—	5
SSSU022800	Vertical	3.0	2	2	Refer to the dimensions.	Non shorting	Manual, Dip	18.5×7.0×8.5	—	6
SSSU025800	Vertical	3.0	2	3	Refer to the dimensions.	Non shorting	Manual, Dip	24.5×7.0×8.5	—	7
SSSU026300	Vertical	3.0	2	3	Refer to the dimensions.	Non shorting	Manual, Dip	24.5×7.0×8.5	—	8
SSSU041700	Vertical	3.0	4	2	Refer to the dimensions.	Non shorting	Manual, Dip	21.5×7.0×8.5	—	9
SSSU042100	Vertical	3.0	4	2	Refer to the dimensions.	Non shorting	Manual, Dip	21.5×7.0×8.5	—	10
SSSU111400	Horizontal	3.0	1	2	Refer to the dimensions.	Non shorting	Manual, Dip	18.5×7.0×8.5	—	11
SSSU113200	Horizontal	3.0	1	3	Refer to the dimensions.	Non shorting	Manual, Dip	24.5×7.0×8.5	—	12
SSSU121700	Horizontal	3.0	2	2	Refer to the dimensions.	Non shorting	Manual, Dip	18.5×7.0×8.5	—	13
SSSU122200	Horizontal	3.0	2	2	Refer to the dimensions.	Non shorting	Manual, Dip	18.5×7.0×8.5	—	14
SSSU124900	Horizontal	3.0	2	3	Refer to the dimensions.	Non shorting	Manual, Dip	24.5×7.0×8.5	—	15

⚠ Note

1. This catalog shows only outline specifications. When using the products, please obtain formal specifications for supply.
2. Please place purchase orders per minimum order unit (integer).

8.5 (H) mm, 3.0mm-travel
SSSU Series

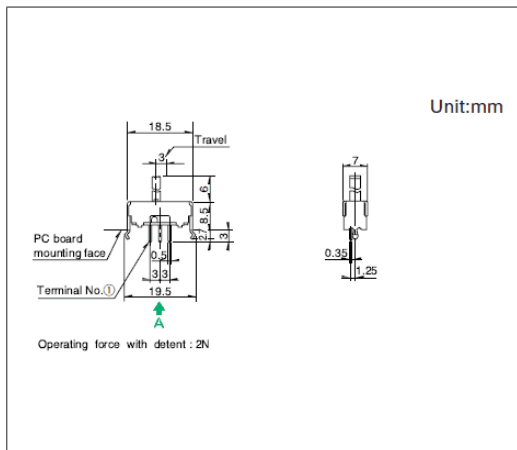
■ Packing Specifications

Bulk

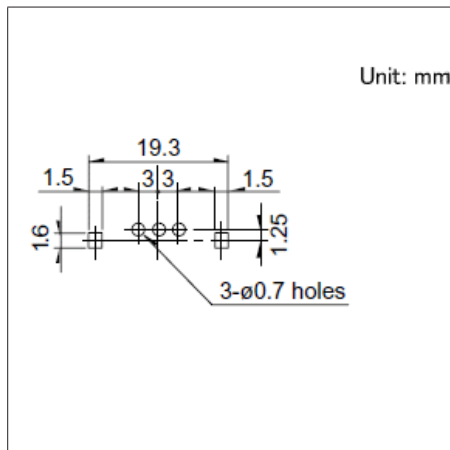
Products No.	Number of packages (pcs.)		Export package measurements (mm)
	1 case / Japan	1 case / export packing	
SSSU011700 SSSU012200 SSSU022400 SSSU022800 SSSU124900	400	2,000	400 x 270 x 290
SSSU014800 SSSU015100 SSSU025800 SSSU026300 SSSU041700 SSSU042100 SSSU113200	500	2,500	400 x 270 x 290
SSSU111400 SSSU121700 SSSU122200	700	3,500	400 x 270 x 290

Drawing No.1

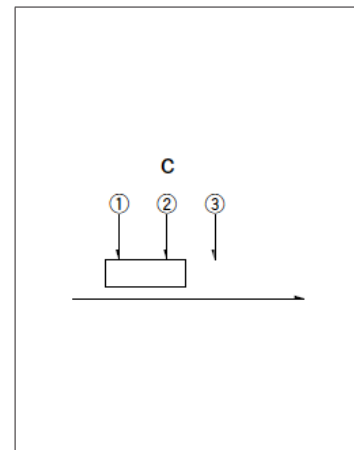
■ Dimensions



■ Mounting Hole Dimensions



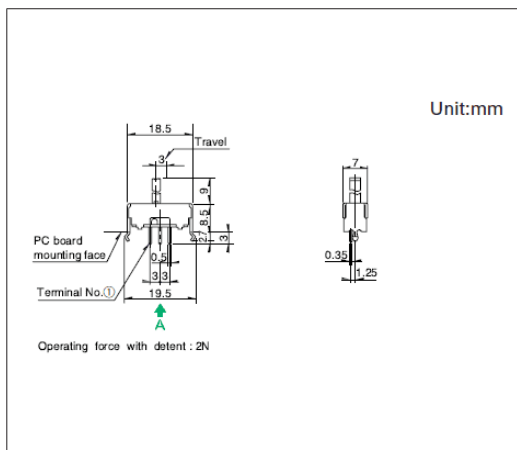
■ Circuit Diagram



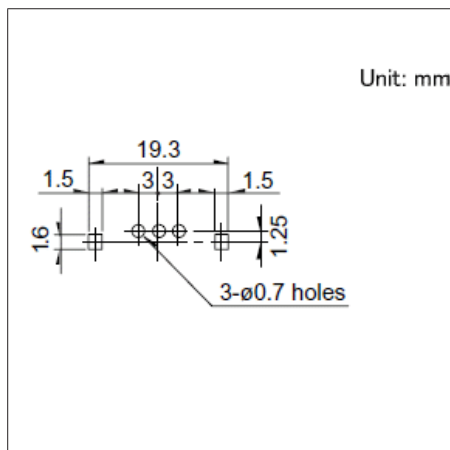
Viewed from direction A in the dimensions.

Drawing No.2

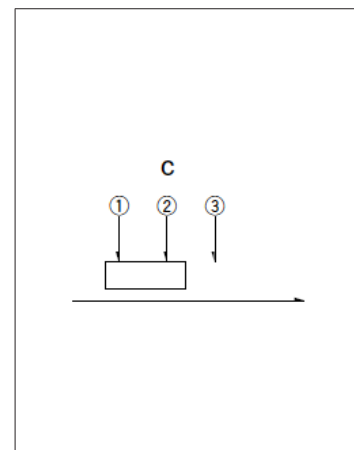
■ Dimensions



■ Mounting Hole Dimensions



■ Circuit Diagram

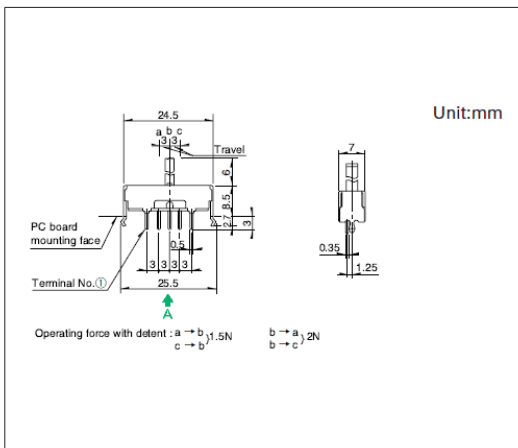


Viewed from direction A in the dimensions.

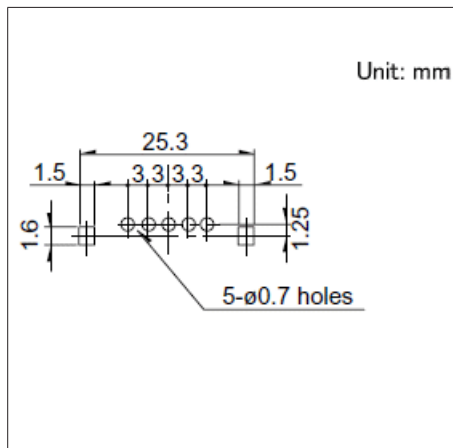
8.5 (H) mm, 3.0mm-travel
SSSU Series

Drawing No.3

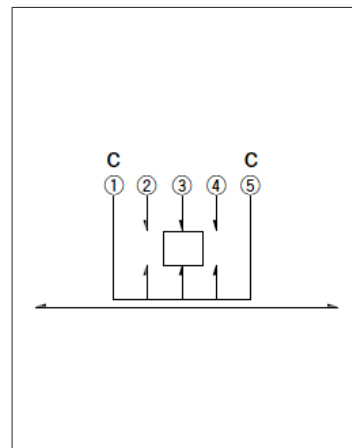
■ Dimensions



■ Mounting Hole Dimensions



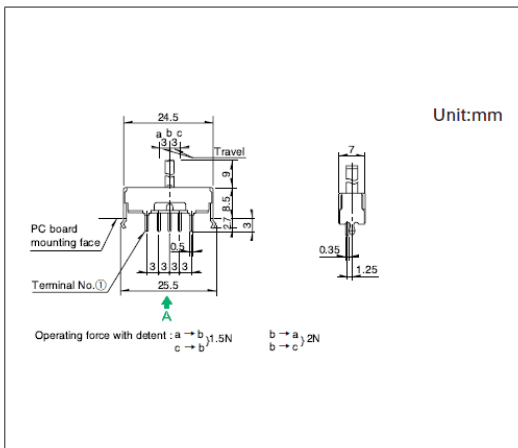
■ Circuit Diagram



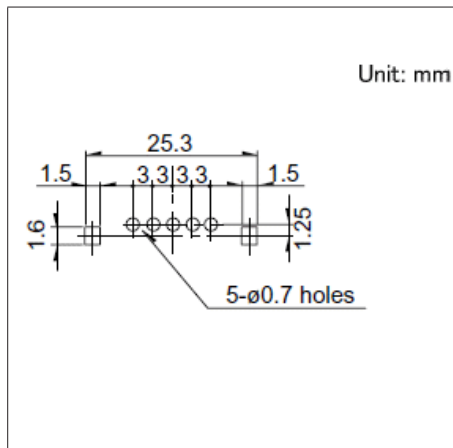
Viewed from direction A in the dimensions.

Drawing No.4

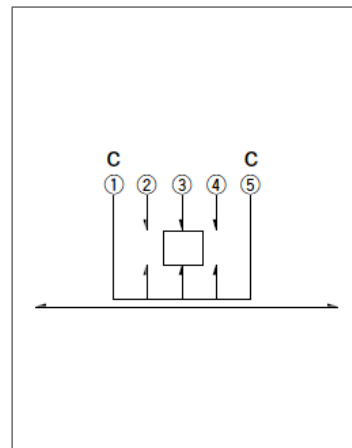
■ Dimensions



■ Mounting Hole Dimensions



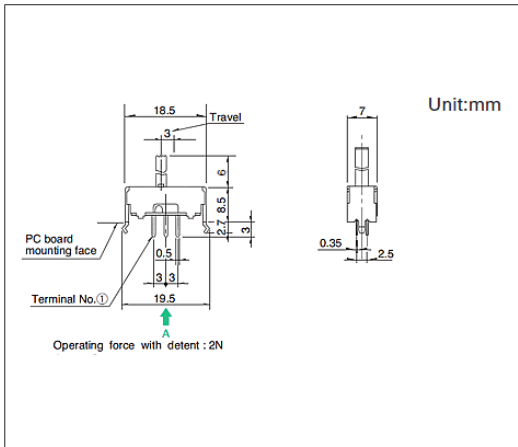
■ Circuit Diagram



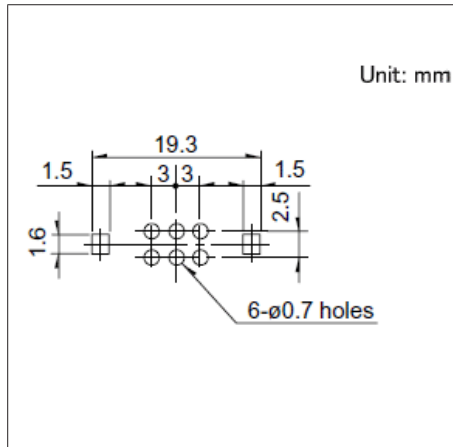
Viewed from direction A in the dimensions.

Drawing No.5

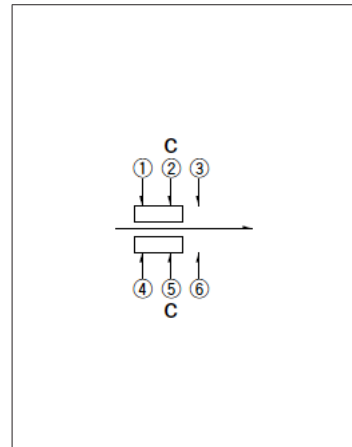
■ Dimensions



■ Mounting Hole Dimensions



■ Circuit Diagram

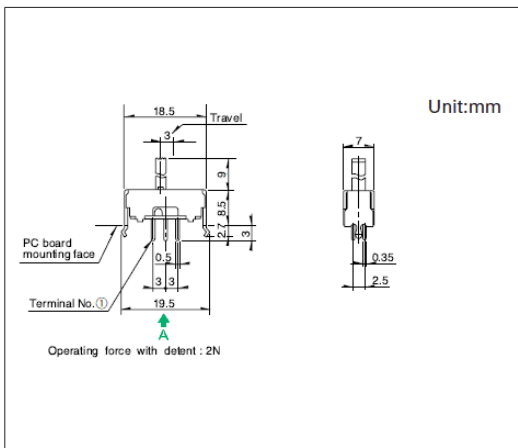


Viewed from direction A in the dimensions.

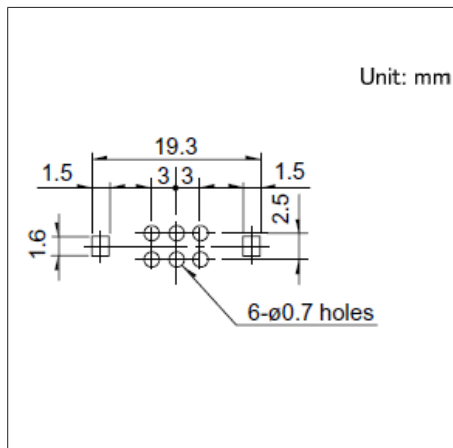
8.5 (H) mm, 3.0mm-travel
SSSU Series

Drawing No.6

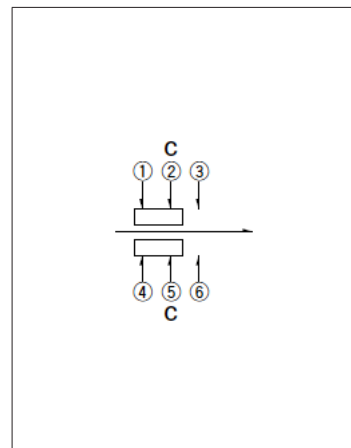
■ Dimensions



■ Mounting Hole Dimensions



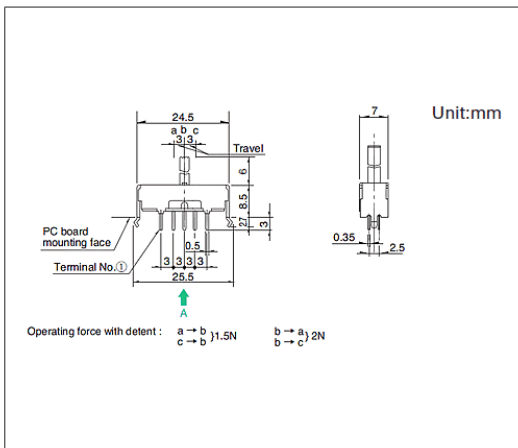
■ Circuit Diagram



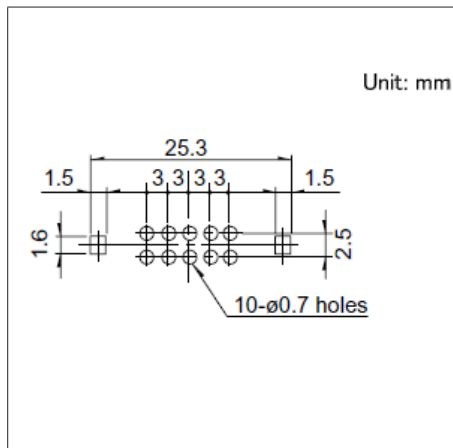
Viewed from direction A in the dimensions.

Drawing No.7

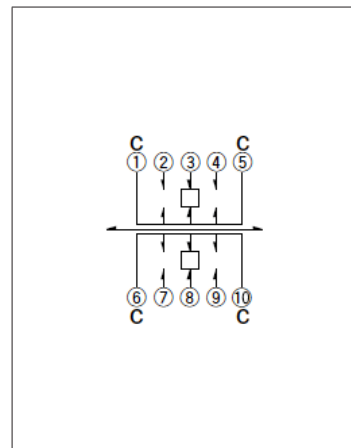
■ Dimensions



■ Mounting Hole Dimensions



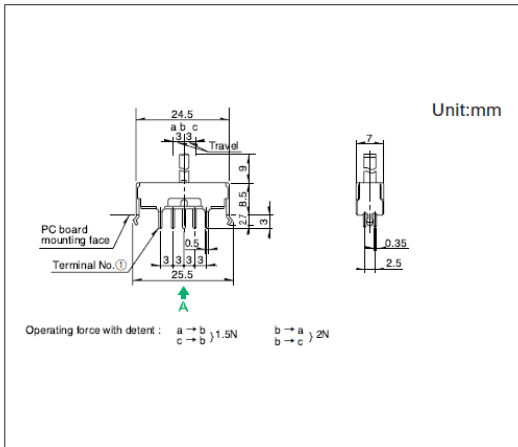
■ Circuit Diagram



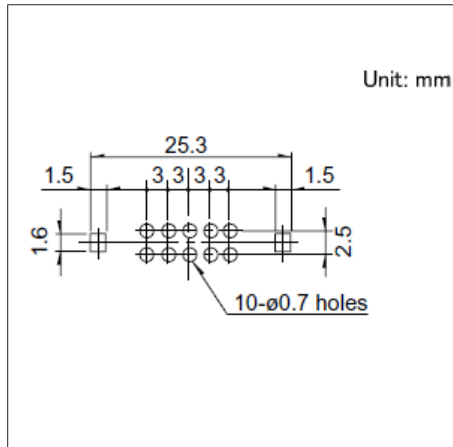
Viewed from direction A in the dimensions.

Drawing No.8

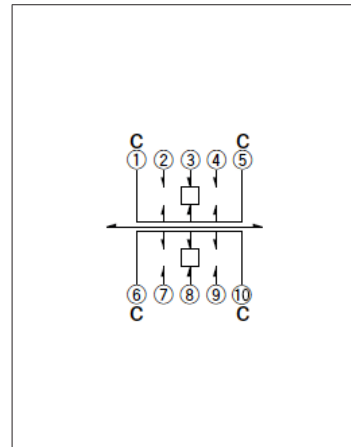
■ Dimensions



■ Mounting Hole Dimensions



■ Circuit Diagram

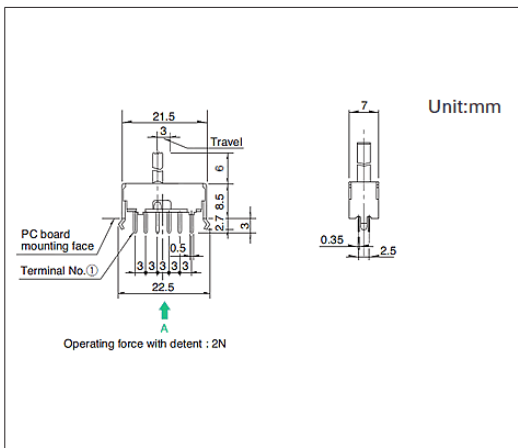


Viewed from direction A in the dimensions.

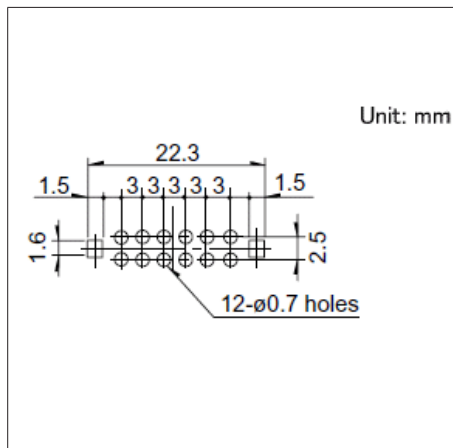
8.5 (H) mm, 3.0mm-travel
SSSU Series

Drawing No.9

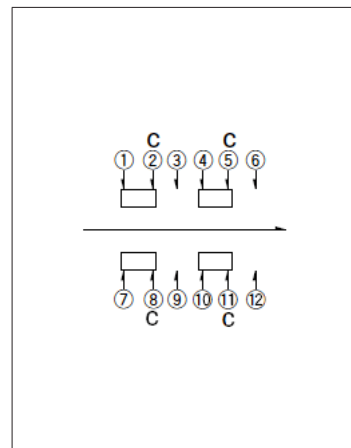
■ Dimensions



■ Mounting Hole Dimensions



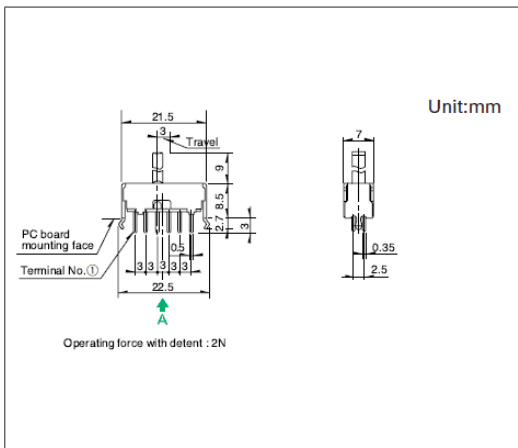
■ Circuit Diagram



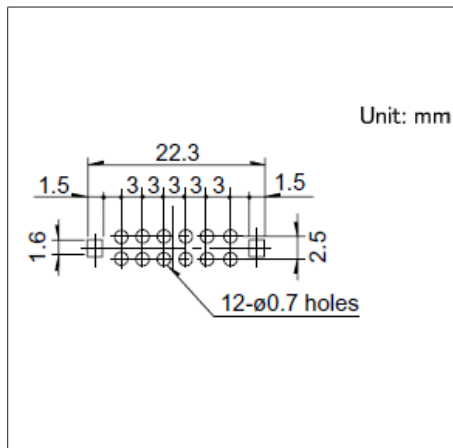
Viewed from direction A in the dimensions.

Drawing No.10

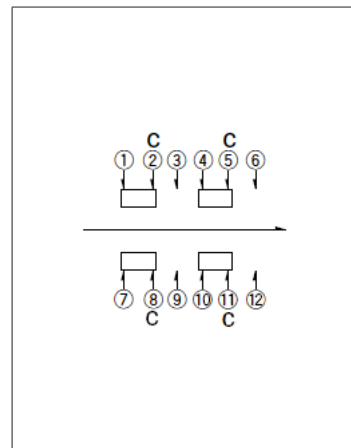
■ Dimensions



■ Mounting Hole Dimensions



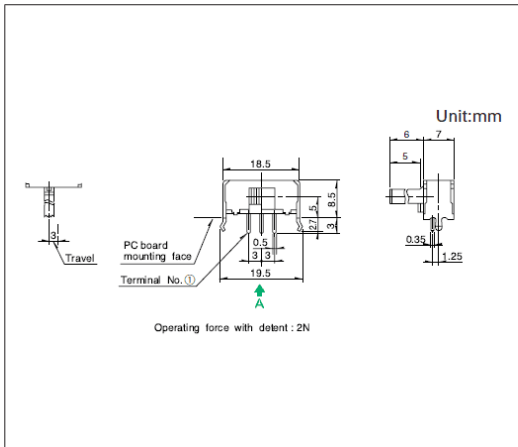
■ Circuit Diagram



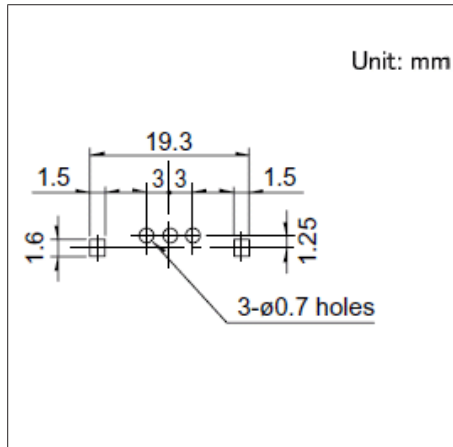
Viewed from direction A in the dimensions.

Drawing No.11

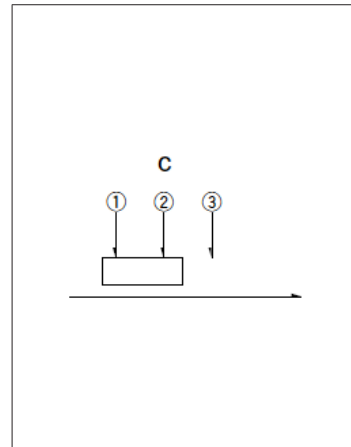
■ Dimensions



■ Mounting Hole Dimensions



■ Circuit Diagram



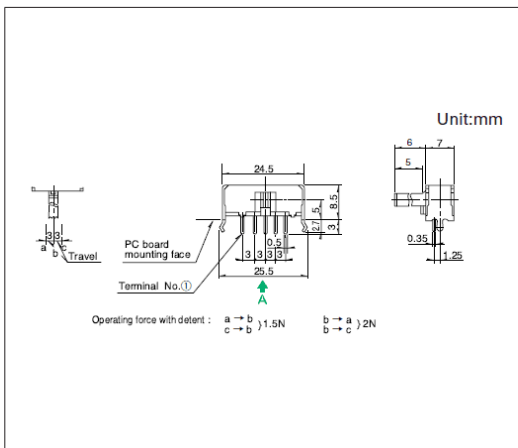
Viewed from direction A in the dimensions.

Switches Slide Switches

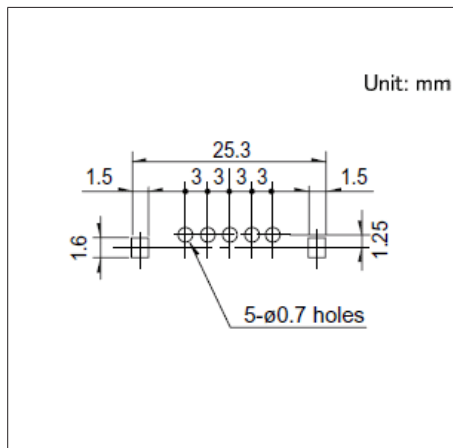
8.5 (H) mm, 3.0mm-travel
SSSU Series

Drawing No.12

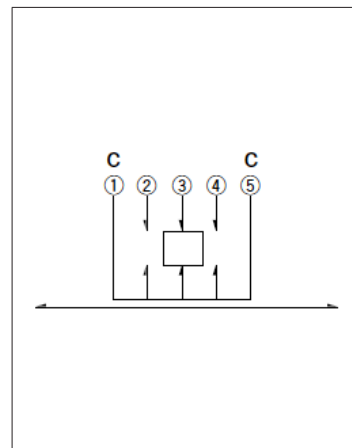
■ Dimensions



■ Mounting Hole Dimensions



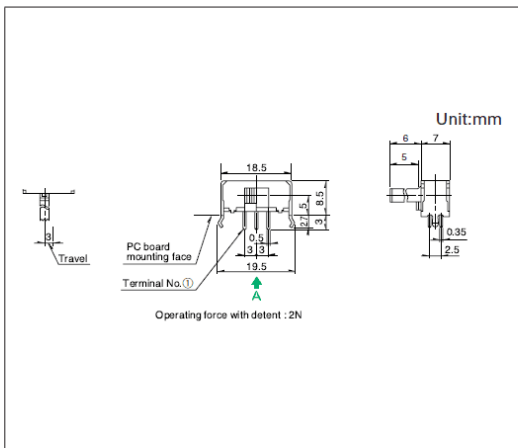
■ Circuit Diagram



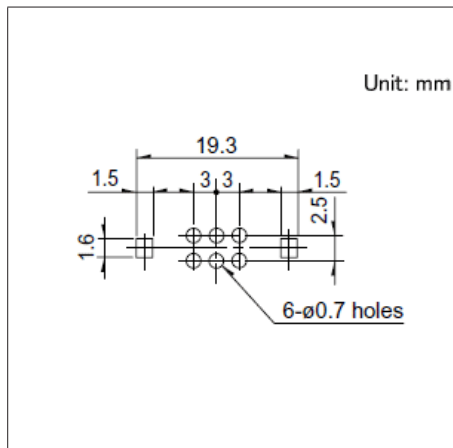
Viewed from direction A in the dimensions.

Drawing No.13

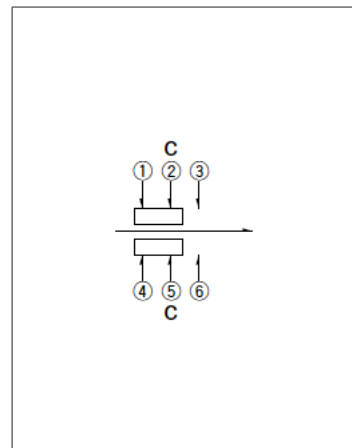
■ Dimensions



■ Mounting Hole Dimensions



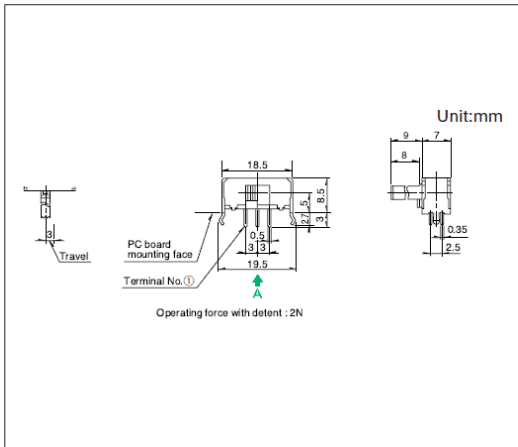
■ Circuit Diagram



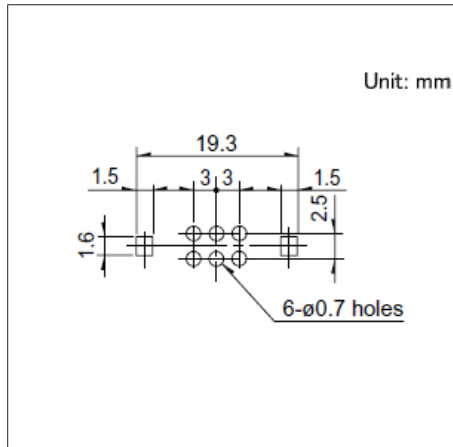
Viewed from direction A in the dimensions.

Drawing No.14

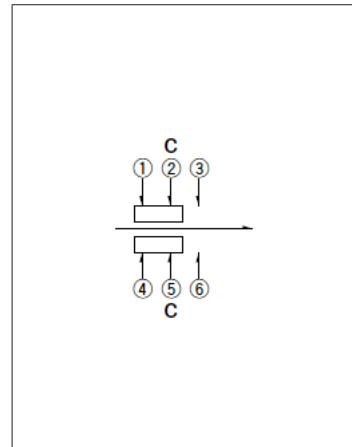
■ Dimensions



■ Mounting Hole Dimensions



■ Circuit Diagram



Viewed from direction A in the dimensions.

