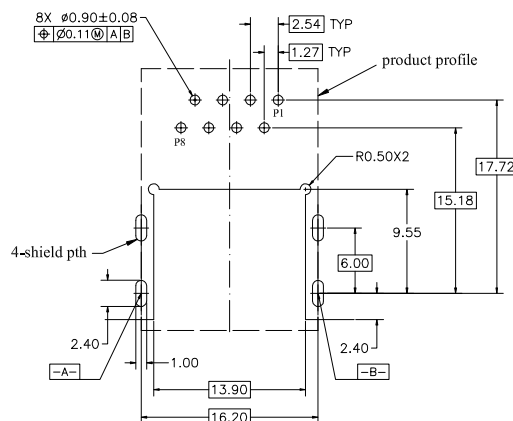
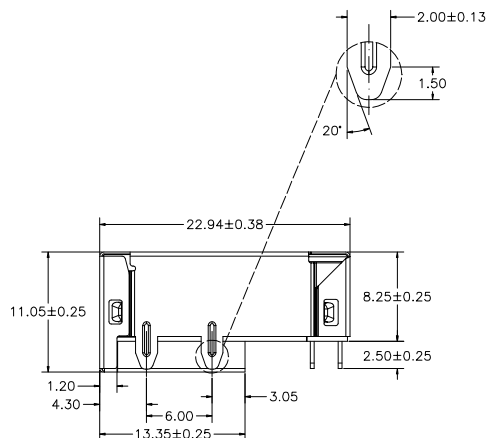
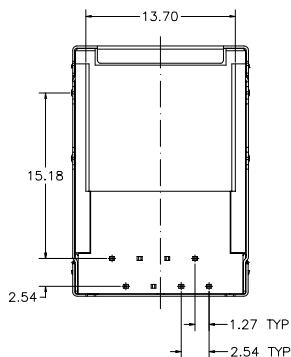
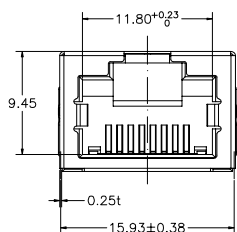
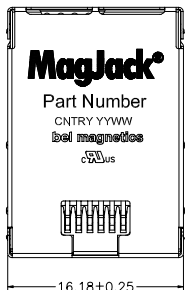
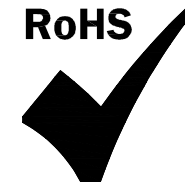


THE INFORMATION CONTAINED HEREIN IS CONSIDERED PROPRIETARY TO BEL FUSE INC. AND SHALL NOT BE COPIED, REPRODUCED OR DISCLOSED WITHOUT THE WRITTEN APPROVAL OF BEL FUSE INC.

RoHS



SUGGESTED CUSTOMER BOARD LAYOUT

NOTES:

Material:

1. Housing Material : THERMOPLASTIC UL94V-0 (BLACK COLOR)
2. Contact Mateial : Phosphor Bronze T=0.35mm (C5191)
3. Plating:: Contact Area- Selection Gold Plating 30U".
4. Shield : Copper Alloy 0.20mm Thickness Plating Ni .

Feature:

1. RJ45 10/100Base-Tx Transformer Jack With Transformer /Impedance Resistor/High Voltage Capacitor.
2. Designed To Meet IEEE 802.3u Requirement.
3. Designed For 100 Base Transmission over UTP-5 Cable.
4. Operation Temperature Range: 0° C To +70° C

Mechanical:

1. Operating Life: 1000 Cycles Min.
2. PCB Retention Pre-Solder: 1 Lb Min.

Environmental:

1. Storage: -40° C To +85° C.
- Mates With Modular Plug Conforming To Fcc Part 68, Subpart F.

P01-1AA2-01
PART NUMBER

| | |
|---------------------|-----------|
| RAWN | 24Apr2024 |
| ARRY YE / FRANK LIU | |
| HECKED | 24Apr2024 |
| WILL LIU | |
| APPROVED | 24Apr2024 |
| FRANK YUAN | |
| 02(2)120214 | |

| | |
|-------|---|
| TITLE | 10/100 BT MagJack® (WITHOUT LED) PATENTED |
|-------|---|

| | |
|-------------|----------------|
| DRAWING NO. | P01-1AA2 |
| FILE NAME | P01-1AA2_1.DWG |

| | | | |
|------------------------------|-------|-----------|---------|
| UNLESS OTHERWISE NOTED, TOL: | | | |
| X. | ±0.38 | SIZE: | A4 |
| .X | ±0.38 | UNIT: | mm |
| .XX | ±0.25 | SCALE: | N/A |
| .XXX | ±0.13 | PAGE: 1/3 | REV.: 1 |



This document is electronically generated. This is a controlled copy if used internally

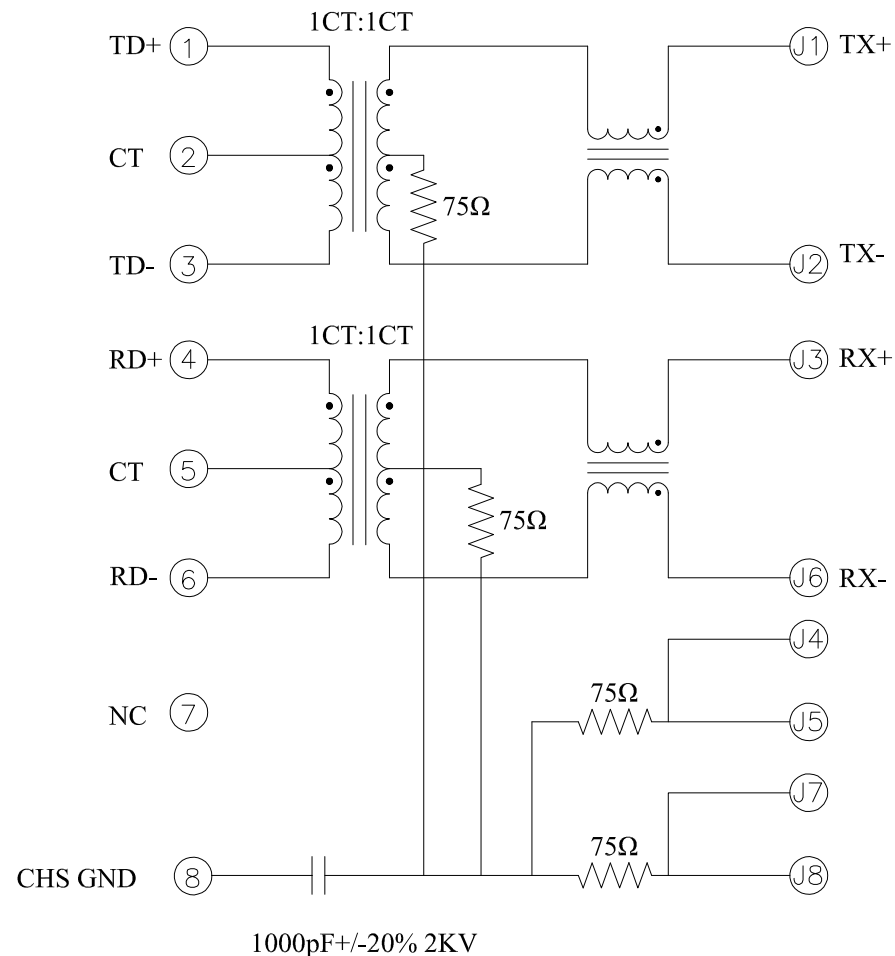
Please read our datasheet & drawing disclaimer [here](#).

ALL INFORMATION CONTAINED HEREIN IS CONSIDERED PROPRIETARY TO BEL FUSE INC. AND SHALL NOT BE COPIED, REPRODUCED OR DISCLOSED WITHOUT THE WRITTEN APPROVAL OF BEL FUSE INC.

RoHS



Electrical Specification @ 25 °C



- 1.0 TURN RATIO: (P1~P3) : (J1~J2) : 1:1 ±3%
(P4~P6) : (J3~J6) : 1:1 ±3%
- 2.0 INDUCTANCE: (P1~P3) 350uH MIN @ 0.1V, 100KHZ, 8mA DC BIAS
(P4~P6) 350uH MIN @ 0.1V, 100KHZ, 8mA DC BIAS
- 3.0 LEAKAGE INDUCTANCE: P1~P3 (WITH J1 AND J2 SHORT) : 0.35uH MAX @1 MHZ
P4~P6 (WITH J3 AND J6 SHORT) : 0.35uH MAX @1 MHZ
- 4.0 INTERWINDING CAPACITANCE: (P1~P3) : (J1~J2) : 35pF MAX @ 1MHZ
(P4~P6) : (J3~J6) : 35pF MAX @ 1MHZ
- 5.0 DC RESISTANCE: (J1~J2) : (J3~J6) : 1.2 OHMS MAX
- 6.0 RETURN LOSS: 1MHZ TO 30MHZ : 18dB MIN
30MHZ TO 60MHZ : 15dB MIN
60MHZ TO 80MHZ : 12dB MIN
- 7.0 DIELECTRIC WITHSTAND: (P1~P3) : (J1~J2) : 1500VAC
(P4~P6) : (J3~J6) : 1500VAC
- 8.0 INSERTION LOSS: RS=RL=100 OHM : 1.1dB MIN
1KHZ TO 85MHZ
- 9.0 CROSS TALK: 1MHZ TO 80MHZ : 30dB MIN
- 10.0 COMMON TO COMMON MODE ATTENUATION: 1MHZ TO 80MHZ : 30dB MIN

| | |
|---------------------|-----------|
| RAWN | 24Apr2024 |
| ARRY YE / FRANK LIU | |
| HECKED | 24Apr2024 |
| ILL LIU | |
| PPROVED | 24Apr2024 |
| ONY YUAN | |
| 02(2)120214 | |

| | |
|-------|---|
| TITLE | 10/100 BT MagJack [®] (WITHOUT LED) PATENTED |
|-------|---|

| | |
|-------------|----------------|
| DRAWING NO. | P01-1AA2 |
| FILE NAME | P01-1AA2_1.DWG |

| | | | |
|------------------------------|-------|--------|-----|
| UNLESS OTHERWISE NOTED, TOL: | | | |
| X. | ±0.38 | SIZE: | A4 |
| .X | ±0.38 | UNIT: | mm |
| .XX | ±0.25 | SCALE: | N/A |
| .XXX | ±0.13 | PAGE: | 2/3 |
| | | REV.: | 1 |



This document is electronically generated. This is a controlled copy if used internally

Please read our datasheet & drawing disclaimer [here](#).

THE INFORMATION CONTAINED HEREIN IS CONSIDERED PROPRIETARY TO BEL FUSE INC. AND SHALL NOT BE COPIED, REPRODUCED OR DISCLOSED WITHOUT THE WRITTEN APPROVAL OF BEL FUSE INC.

RoHS



CHANGE HISTORY

| ISSUE | DATE | DESCRIPTIN OF CHANGE | REASON | DRAWN | APPROVAL | ECN# |
|-------|-----------|----------------------|-----------------|----------|-----------|------|
| 1 | 24APR2024 | - | INITIAL RELEASE | JARRY YE | TONY YUAN | - |
| | | | | | | |
| | | | | | | |

RAWN 24Apr2024
 JARRY YE / FRANK LIU
 CHECKED 24Apr2024
 BILL LIU
 APPROVED 24Apr2024
 TONY YUAN

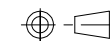
TITLE
 10/100 BT MagJack[®]
 (WITHOUT LED)
 PATENTED

DRAWING NO.
 P01-1AA2

FILE NAME
 P01-1AA2_1.DWG

UNLESS OTHERWISE NOTED, TOL:

| | |
|------|-------|
| X. | ±0.38 |
| .X | ±0.38 |
| .XX | ±0.25 |
| .XXX | ±0.13 |



| | |
|--------|-----|
| SIZE: | A4 |
| UNIT: | mm |
| SCALE: | N/A |
| PAGE: | 3/3 |
| REV.: | 1 |



bel MAGNETIC SOLUTIONS
 a bel group