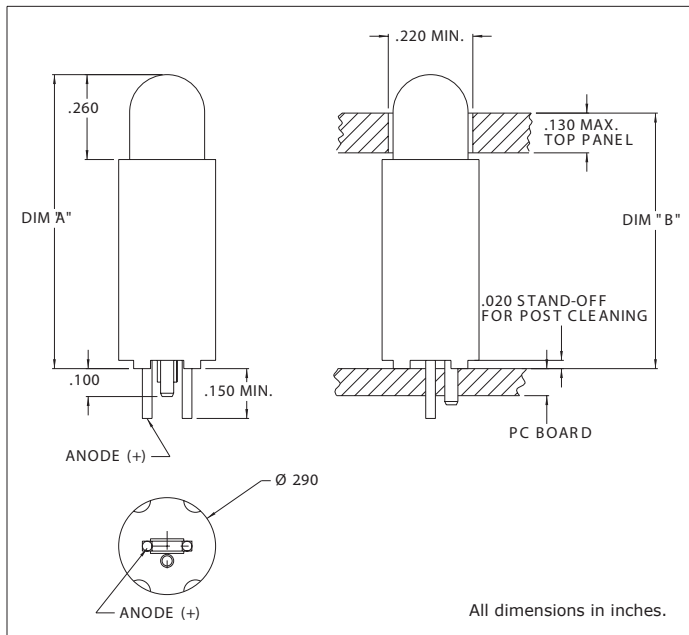


## 5330H Series LED T-1 3/4 (5mm) Lamp Assembly

### Description and Features



#### Features

- Block mounting design and spacing-alignment saves assembly cost and time.
- Super Brite T-1 3/4 diffused LED-wide angle viewing.
- Press-in mounting pin secures assembly to PC board while being soldered.
- Stand offs prevent flux entrapment.
- RoHS Compliant

Housing: Black Nylon, UL94V-O

Refer to "Mounting Hole Pattern 4.pdf"

## Electro-Optical Characteristics and Ratings

| Part Number | Color  | Typ. Intensity (mcd) | Rated Current (mA) | Continuous Forward Current Max. (mA) | Forward Voltage Typ. (V) | Forward Voltage Max. (V) | Peak Forward Current @ 1ms-300pps (A) | Reverse Break-down Voltage Min. (V) | Peak Wavelength (nm) | DIM A (inches) | DIM B (inches) |
|-------------|--------|----------------------|--------------------|--------------------------------------|--------------------------|--------------------------|---------------------------------------|-------------------------------------|----------------------|----------------|----------------|
| 5330H1      | Red    | 30                   | 20                 | 35                                   | 2.0                      | 3.0                      | 1.0                                   | 5                                   | 635                  | .870           | .750           |
| 5330H3      | Amber  | 20                   | 20                 | 35                                   | 2.0                      | 3.0                      | 1.0                                   | 5                                   | 608                  | .870           | .750           |
| 5330H5      | Green  | 30                   | 20                 | 30                                   | 2.2                      | 3.0                      | .09                                   | 5                                   | 562                  | .870           | .750           |
| 5330H7      | Yellow | 25                   | 20                 | 35                                   | 2.2                      | 3.0                      | 1.0                                   | 5                                   | 585                  | .870           | .750           |
| 5330H1LC    | Red    | 2.0                  | 2                  | 7                                    | 1.8                      | 2.2                      | .007                                  | 5                                   | 635                  | .870           | .750           |
| 5330H5LC    | Green  | 2.5                  | 2                  | 7                                    | 1.8                      | 2.2                      | .007                                  | 5                                   | 562                  | .870           | .750           |
| 5330H7LC    | Yellow | 2.0                  | 2                  | 7                                    | 1.9                      | 2.7                      | .007                                  | 5                                   | 585                  | .870           | .750           |
| 5330H1-5V   | Red    | 6.0                  | 10                 | 15                                   | 5                        | 7.5                      | -                                     | 5                                   | 635                  | .870           | .750           |
| 5330H3-5V   | Amber  | 7.0                  | 10                 | 15                                   | 5                        | 7.5                      | -                                     | 5                                   | 583                  | .870           | .750           |
| 5330H5-5V   | Green  | 10.0                 | 10                 | 15                                   | 5                        | 7.5                      | -                                     | 5                                   | 565                  | .870           | .750           |