

SPECIFIC DATAS: WITHOUT CONTACT IN ROW-E

NOTE-1: PRESS-IN RETENTION PEG

NOTE-2: CONNECTORS WITH PCB-2.4mm ARE COMPATIBLE WITH WIDE AND NARROW BODIES

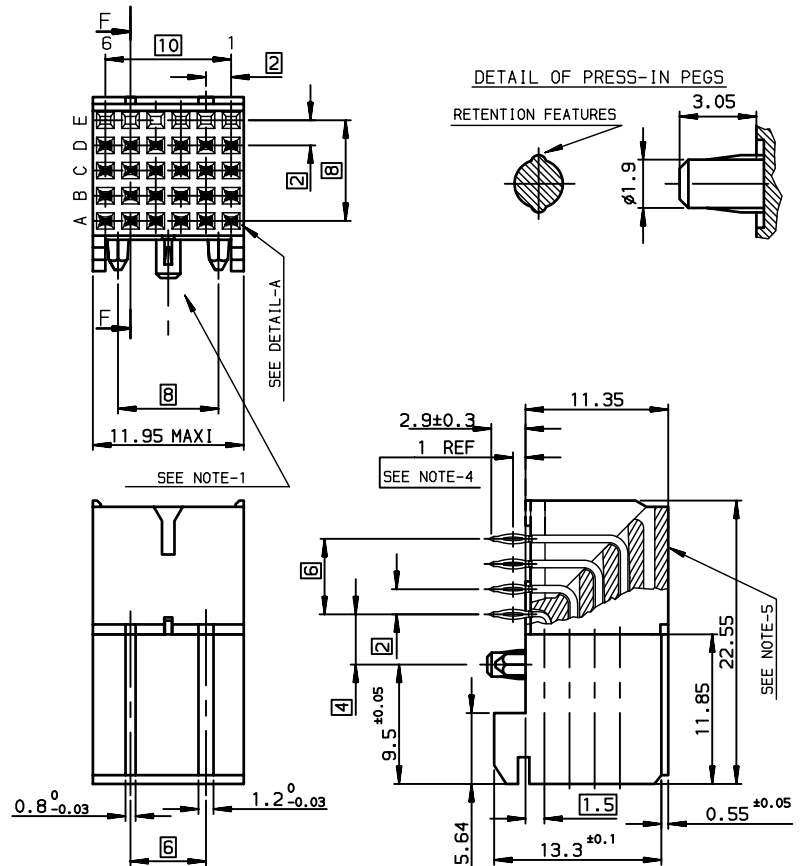
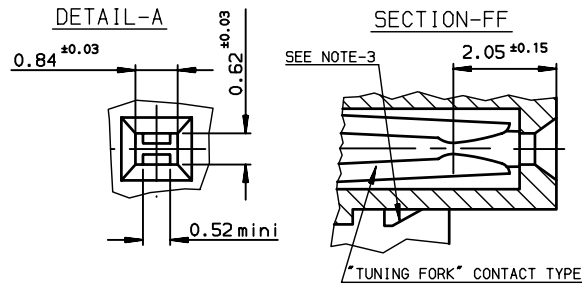
NOTE-3: PLUG FOR CODING KEY FIXING

NOTE-4: EYE OF THE NEEDLE PRESS-FIT CTS TYPE

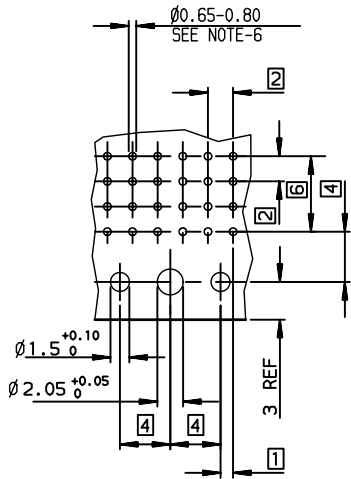
NOTE-5: FLAT ROCK INSERTION TOOLING IN PCB, SEE DRW REF:C-8626-1003

NOTE-6: METALIZED HOLE DEFINITION,SEE GS-12-447

NOTE-7: STANDARD PACKAGING IS IN TUBE ,BUT IF SUFFIX "P" IS ADDED IN P/N ,PACKAGING IS IN TRAYS ,BUT CONNECTOR MARKING IS WITHOUT "P"  
Example: HM1FxxxxxxxH6PLF, marking: HM1FxxxxxxxH6LF



LAYOUT FOR P.C.B



GENERAL CHARACTERISTICS AND ROHS INFORMATIONS:

SEE GS-12-447

European Views

TIN LEAD PART NUMBER

Part Number: HM1F51FDP274H6

LEAD FREE PART NUMBER

Part Number: HM1F51FDP274H6LF

rev	ecn no	dr	date
A	-	MAS	1998/07/21
B	LS05-004	MLE	2005/02/19
C	LS06-0095	LGO	2006/07/14
D	LS06-0159	MLE	2006/10/20
E	LS0-0266	MLE	2007/11/08
-	-	-	-
-	-	-	-

www.fciconnect.com		surface ISO 1302 ✓	tolerance std ISO 406 ISO 1101	projection mm
TOLERANCES UNLESS OTHERWISE SPECIFIED				
Dr	CHAMPION	1998/07/21	ANGULAR	0.X ±0.1
Eng	LENOIR	1998/07/21	LINEAR	0.XX ±0.1
Chr	LEGARE	1998/07/21	0.XX' ±2'	0.XXX ±0.1
Appr	LEGARE	1998/07/21	Product family	METRAL
title		METRAL FEMALE 5 ROW 24 CTS		size
RA-PF ROW-E NOT-LOADED		catalog no		A3
dwg no		C-8626-0914		Scale
CUSTOMER		sheet 1 of 1		2.5
Rev.				E