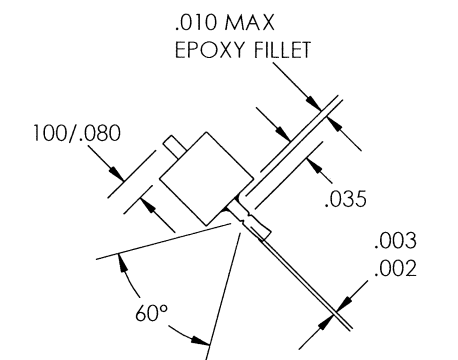
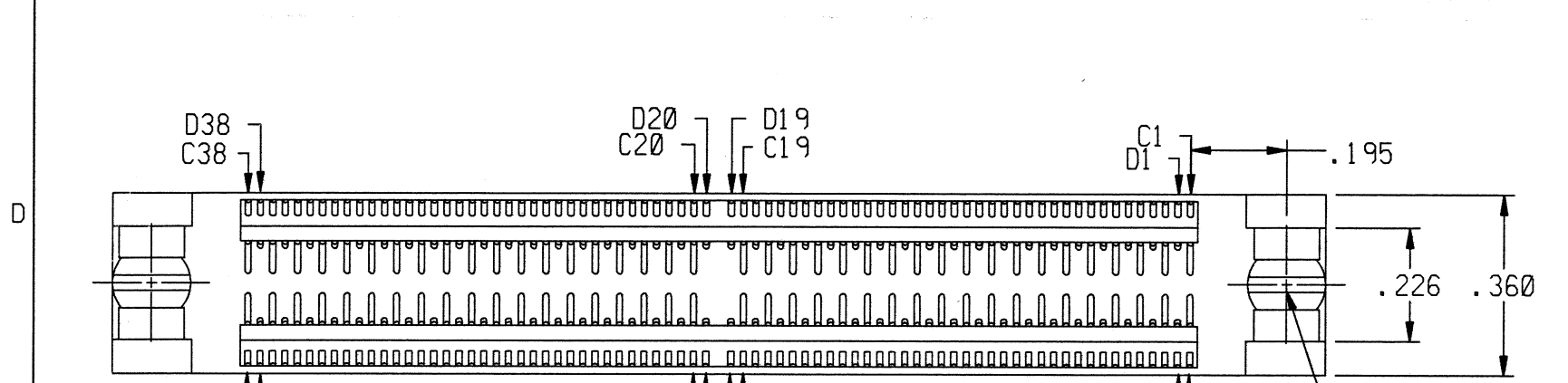
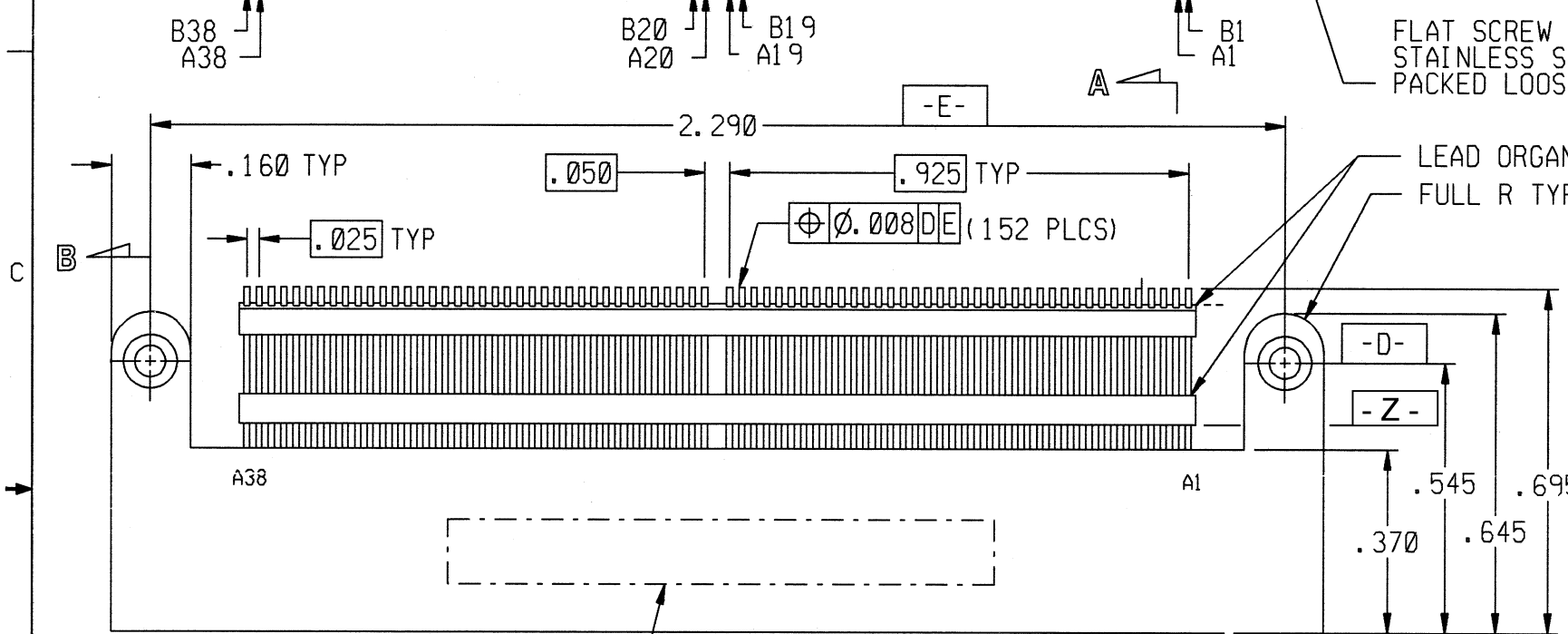


REVISION					
ZONE	LTR	ECN	DESCRIPTION	DATE	APPROVED
	A	39959	NEW RELEASE	2/17/00	MC
	B	42132	UPDATE REV. LETTER	1/23/04	T
	C	43778	UPDATE REV LETTER.	10/15/08	TL
	D	43890	ADD LEAD & BREAKAWY NOTCH DETAIL.ADD NOTE 4.UPDATE NOTE 2.	4/20/09	TL



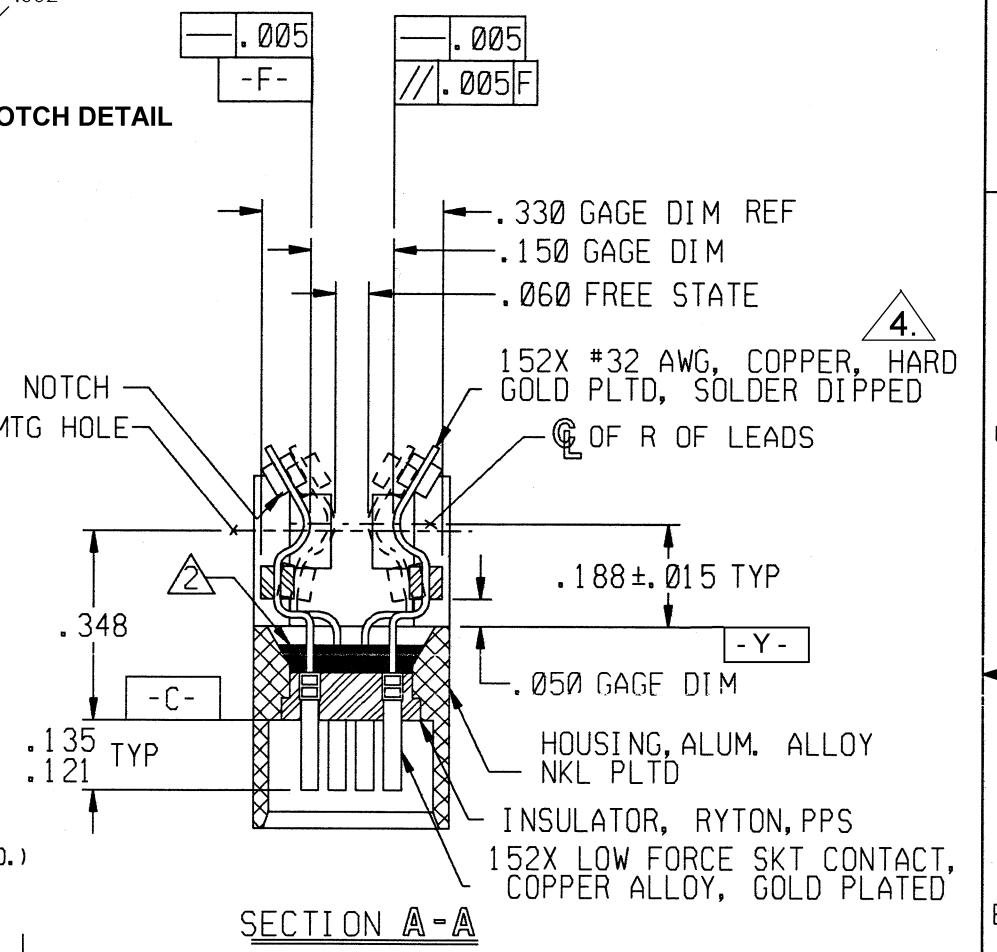
LEAD & BREAKAWY NOTCH DETAIL



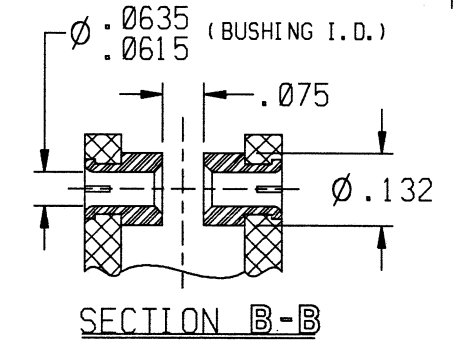
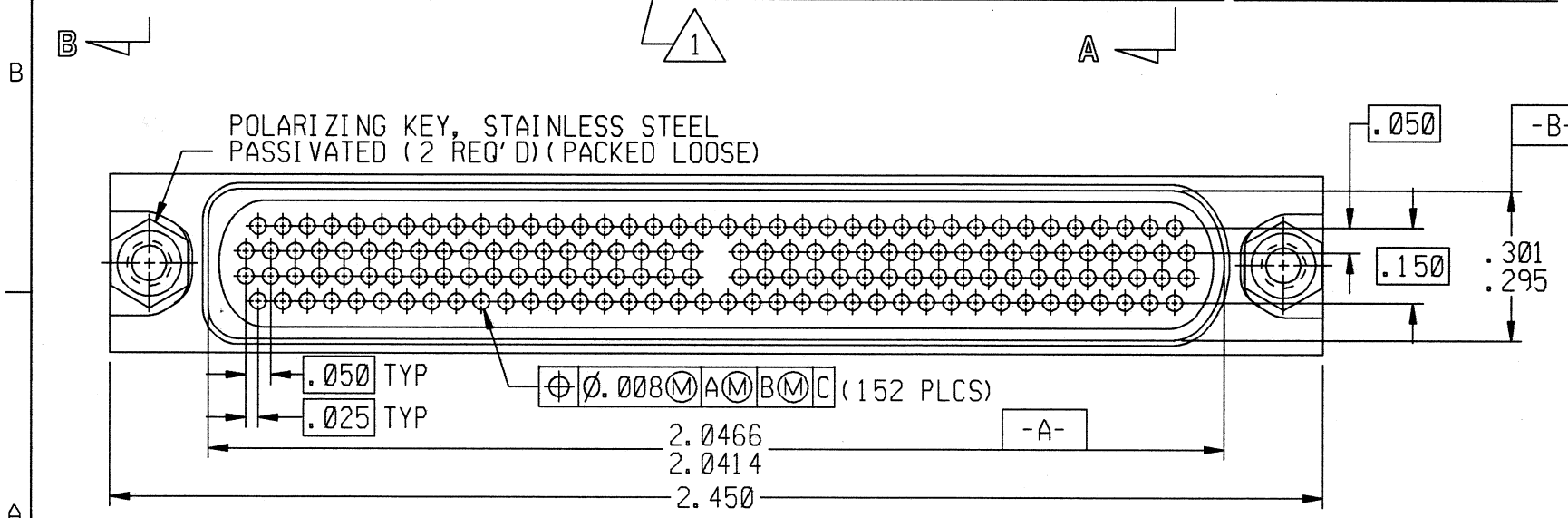
FLAT SCREW (2-56 UNC-2A THD)  
STAINLESS STEEL, PASSIVATED  
PACKED LOOSE (2 REQ'D)

LEAD ORGANIZER, RYTON, PPS  
FULL R TYP

"BREAK AWAY" NOTCH  
C OF MTG HOLE



SECTION A-A



SECTION B-B

- NOTES: UNLESS OTHERWISE SPECIFIED
- 1. MARK PER TPD.
  - 2. LEAD ORGANIZERS TO BONDED IN PLACE WITH A BEAD OF EPOXY (1325708-1).
  - 3. CRIMP LEADS INTO CONTACTS PER MEP302-05.
  - 4. NO SOLDER ON LEADS REQUIRED BELOW DATUM -Z-

UNLESS OTHERWISE SPECIFIED DIMENSIONS ARE IN INCHES. TOLERANCE ARE: FRACTIONS DECIMALS ANGLES $\pm 1/8$ .XX ± .01 ± 2° .XXX ± .005	APPROVALS		MICRODOT CONNECTORS A DIVISION OF UNI-STAR INDUSTRIES INC. 306 PASADENA AVE., SO. PASADENA, CA 91030	PROD CODE 832		
	SIGNATURE	DATE			CONN. HD5M, RCPT, 152 SKT HD5M4-152SLZ-2 MDC: 095-9092-1093 SICON	
	DRAWN BY MEL F. CAMPOS	02/17/00				CODE CDM
	P.E. <i>[Signature]</i>	2/17/00				
MATERIAL:						
FINISH:	THIS DOCUMENT IS THE PROPERTY OF MICRODOT CONNECTORS, A DIVISION OF UNI-STAR INDUSTRIES INC. USE OF THIS DOCUMENT OR ANY PART THEREOF IS STRICTLY FORBIDDEN WITHOUT THE EXPRESS WRITTEN PERMISSION OF MICRODOT CONNECTORS, A DIVISION OF UNI-STAR INDUSTRIES INC.		SIZE B	CODE IDENT NO. 98278	DRAWING NO. 2-1532025-2	
SCALE: NONE		SHEET 1 OF 1				