

VastLane™ HDMI Transmitter

HD solution for cameras, portable media players, portable internet devices, mobile phones and mobile electronics

Silicon Image brings another exciting high-definition interface to the mobile electronics market. Building on the industry leading SiI9030 discrete HDMI transmitter, the VastLane SiI9022 is an ultra low-power HDMI transmitter designed for power-sensitive handheld consumer electronics devices such as portable media players, personal internet devices, cameras, mobile phones, and other portable electronic devices.

HDMI is the established digital interface that brought the highest quality digital audio and video experience to millions of consumer home entertainment systems. Consumers are also using mobile devices to carry captured, downloaded, and purchased content. The SiI9022 enables consumers to share those precious memories and valued content in a secure, all digital, high-definition format on an HDTV.

The SiI9022 is one of the first HDMI transmitters from Silicon Image specifically designed to meet the low power and small form factor needs of the mobile market. In order to fit into the tight constraints of today's highly integrated mobile electronics, the SiI9022 is available in tiny 4mm x 4mm (0.4 ball pitch) or 6mm x 6mm (0.5mm ball pitch) chip scale BGA packages.

The SiI9022 does not scrimp on performance. It supports resolutions from standard definition 480i/p and 576i/p all the way to high-definition 720p, 1080i, and 1080p, the highest resolution supported by HDTVs today.

Silicon Image HDMI products are designed according to the requirements of the market segments and are compliant with the latest version of the industry leading HDMI standard for those market segments. The SiI9022 transmitter is no exception—it is fully compliant with the HDMI 1.2a standard. In addition, all Silicon Image HDMI hardware and software solutions are developed and verified according to the latest HDMI Compliance Test Specification (CTS) and SimplayHD interoperability compliance requirements.

SiI9022

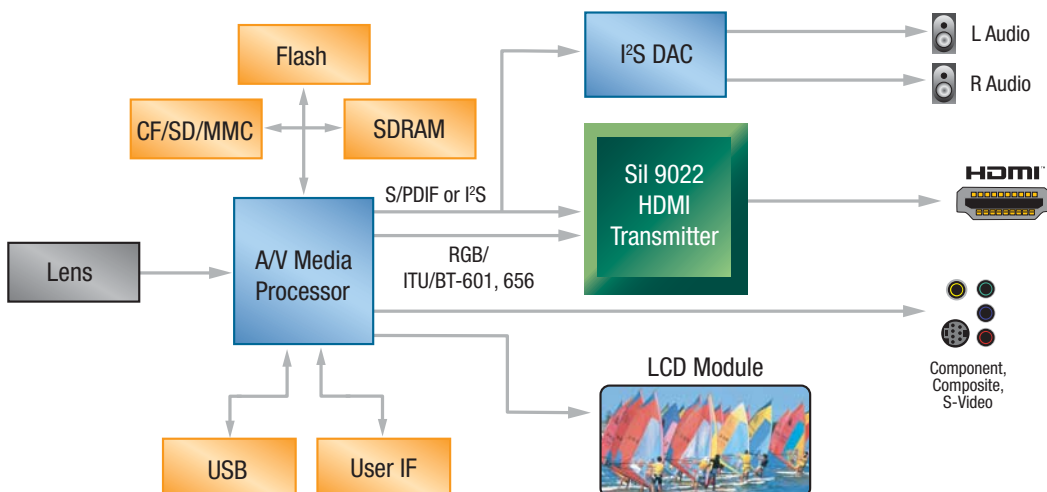
Applications

- Portable Media Players
- Personal Internet Devices
- Mobile Phones
- Cameras

Key Features

- HDMI 1.2a and DVI 1.0 compliant
- Supports up to 1080p & UXGA
- Ultra low-power
- Integrated CEC functions

SiI9022 Typical Application



Sil9022 Features

Sil9022 Software & Documentation

Software

- Sil9022 firmware
- PC based diagnostic tool

Documentation

- Programmer's Reference
- Application Notes
- Datasheet

Compliance

- HDMI 1.2a
- Simplay HD
- DVI 1.0

Digital Video

- Integrated TMDS core
- DTV resolution support - 480i/576i/480p/576p/720p/1080i/1080p
- PC resolution support - VGA/XGA/SXGA/WSXGA/UXGA
- Flexible interface to HD MPEG decoders:
 - 12/24-bit RGB YCbCr 4:4:4
 - 16/20/24-bit YCbCr 4:2:2
 - 8/10/12-bit YCbCr 4:2:2 (ITU-R BT.601 & BT.656)
- Integrated YCbCr → RGB conversion
- 4:2:2 → 4:4:4 up-converter
- Programmable Data Enable (DE) generator

Digital Audio

- DVD-Audio support thru 4xPS inputs
- Supports 2-channel 192kHz or 8-channel 96kHz
- Supports IEC60958 2-ch PCM or IEC61937 compressed audio (Dolby Digital, DTS, etc.)
- Industry-standard S/PDIF input
- Integrated MCLK generator

Consumer Electronic Control (CEC)

- Dedicated CEC signals
- Integrated hardware arbitration logic reduces local CPU overhead

System Operation

- Simplified API programming through Transmitter Programming Interface (TPI) and CEC Programming Interface (CPI)
- Programmable DDC controller simplifies system design
- Flexible interrupt registers with interrupt pin
- Monitor detection supported through hot plug and receiver sense

Power Management

- 1.2V, 1.8V and 3.3V cores provide low-power operation
- Flexible power-down modes

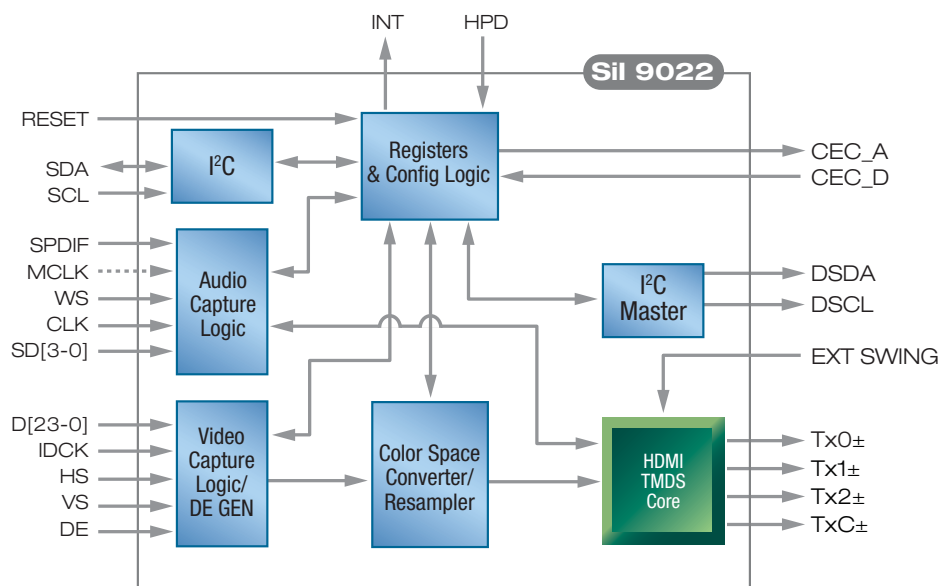
Available Packages

- 81-ball BGA (4mm x 4mm, 0.4mm ball pitch)
- 84-ball BGA (6mm x 6mm, 0.5mm ball pitch)

Operating Range

- -20C° to +85C° extended temperature support

Sil9022 Circuit Diagram



Silicon Image, Inc.

1060 E. Arques Avenue
Sunnyvale, CA 94085

T 408.616.4000

F 408.830.9530

www.siliconimage.com

Simply Stored. Connected. Beautiful.

© 2008 Silicon Image, Inc. All rights reserved. Silicon Image, the Silicon Image logo, Sil9022, Sil9030, VastLane, the VastLane logo and Simplay HD, are trademarks or registered trademarks of Silicon Image, Inc. in the United States and/or other countries. HDMI, the HDMI logo, High Definition Multimedia Interface, are trademarks or registered trademarks in the United States and/or other countries of, are used under license from, HDMI Licensing, LLC. All other trademarks are the property of their respective owner in the United States and/or other countries. Product specifications are subject to change without notice.

Part Numbers: Sil9022EBU, Sil9022EBU6, Sil9022EBT

Sil-PB-1002 rev3 4/08