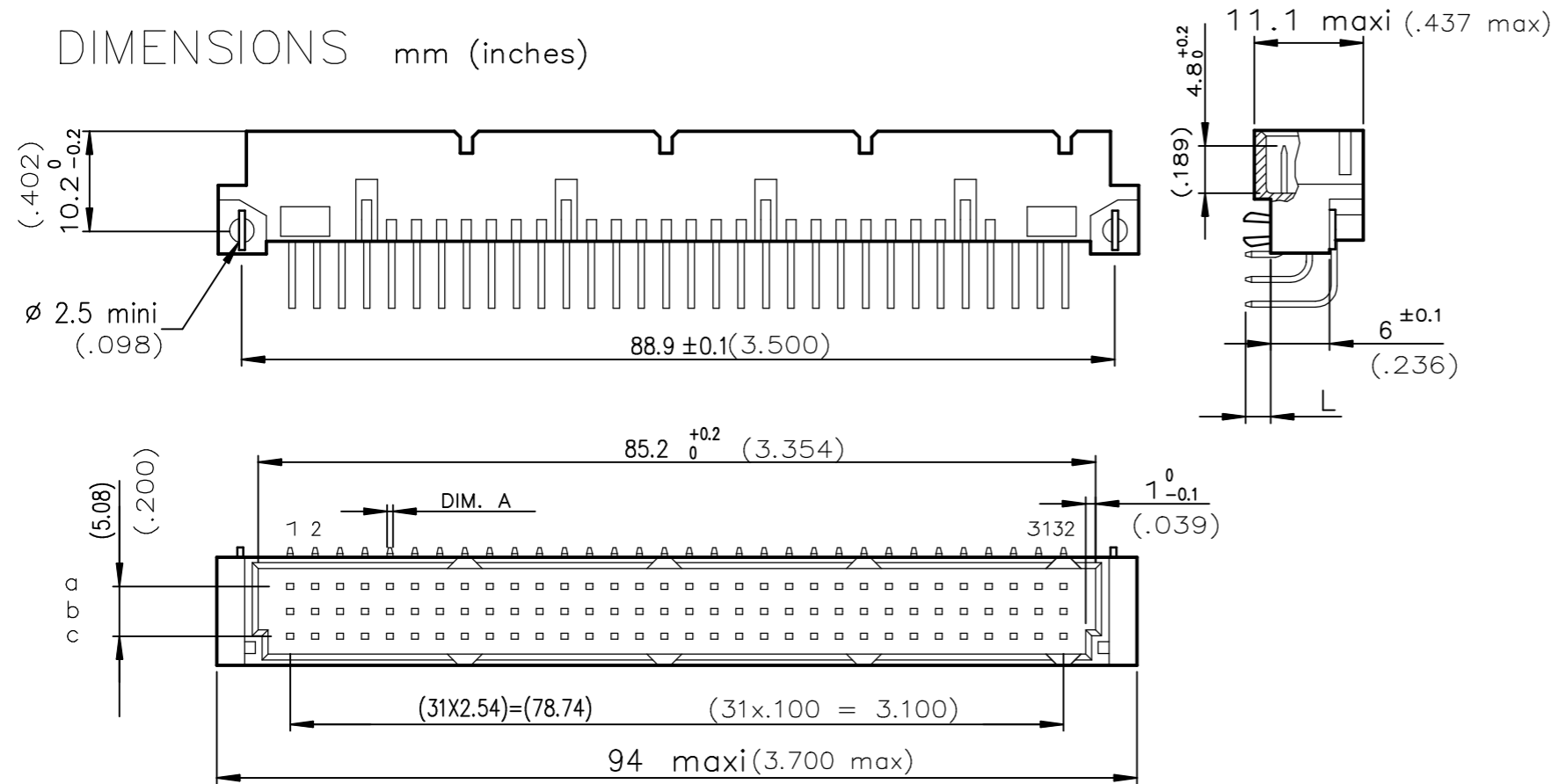


DIMENSIONS mm (inches)



GENERAL CHARACTERISTICS AND ROHS INFORMATIONS:  
SEE DRAWING C-8609-0000A

LEAD FREE	
8609 396 71 13 755 E1 LF	Style C header, 96 Position, solder to board, class 2
8609 396 71 13 765 E1 LF	Style C header, 96 Position, solder to board, class 1
8609 396 71 13 H55 E1 LF	Style C header, 96 Position, solder to board, class 2, fixing clips
8609 464 71 13 755 E1 LF	Style C header, 64 Position, solder to board, class 2
8609 464 71 13 765 E1 LF	Style C header, 64 Position, solder to board, class 1
8609 464 71 13 H55 E1 LF	Style C header, 64 Position, solder to board, class 2, fixing clips
LEAD FREE	
8609 396 71 13 745 E1 LF	Style C header, 96 Position, solder to board, class 3
8609 396 71 13 H45 E1 LF	Style C header, 96 Position, solder to board, class 3, fixing clips
8609 396 71 13 H65 E1 LF	Style C header, 96 Position, solder to board, class 1, fixing clips
8609 464 71 13 745 E1 LF	Style C header, 64 Position, solder to board, class 3
8609 464 71 13 H45 E1 LF	Style C header, 64 Position, solder to board, class 3, fixing clips
8609 464 71 13 H65 E1 LF	Style C header, 64 Position, solder to board, class 1, fixing clips

Application specific part-numbers: See sheet 2

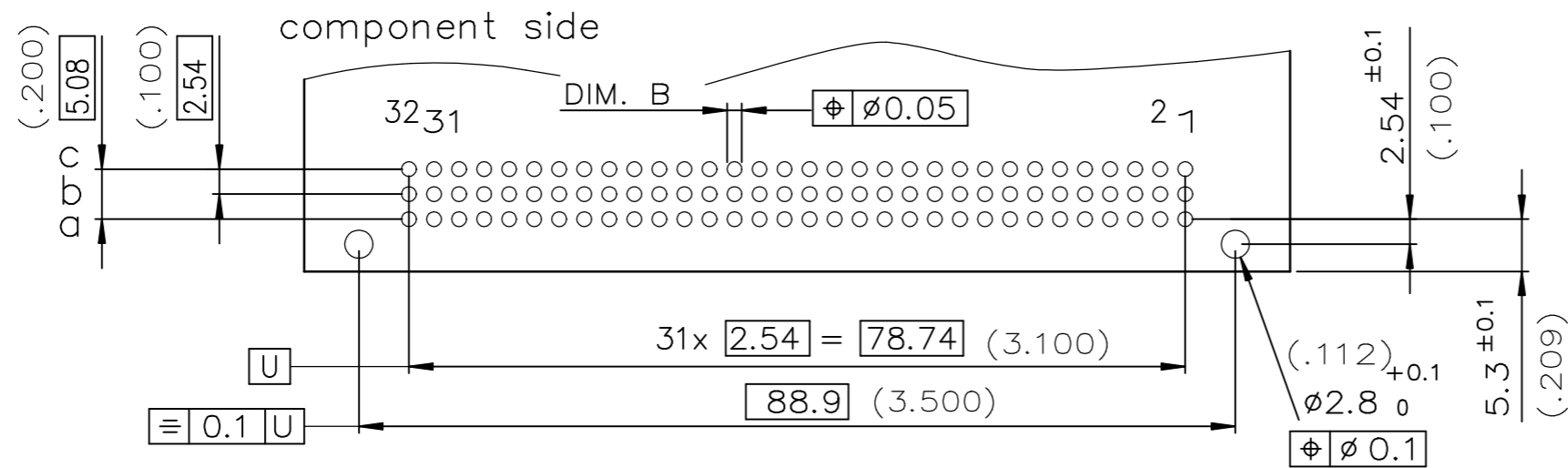
mat'l. code		surface		tolerance		projection		product family	
SEE NOTE 4		ISO 1302 ✓		ISO 406 ISO 101		101		DIN-8609	
ltr	ecn no	dr	date	tolerances unless otherwise specified		title			
E	LS05-0056	LGO	2005-06-21	angles	linear	MM		RIGHT ANGLE HEADER - STYL	
F	LS06-0097	LGO	2006-07-11					SOLDER TO BOARD	
G	ELX-I-41919	SA	2021-08-05	0°±1°		scale -			
H	ELX-I-58095	NS	2025-11-11	dr	ROUILLARD	1992-05-05	Amphenol FCI		dwg no
				enr	NIRMAL SAM	2025-11-11			sheet 1 of 2
				chr	-	-			size
				appd	MATHEW	2025-11-11			A3
sheet index	revision sheet	H	H					type Product Customer Drawing	
		1	2						

© 2016 AFCl

Amphenol FCI

PART NUMBER		8609		□	□	71	□	□	□	5	□
PIN OUT											
rows a-b-c	-----	3	96								
rows a-c	-----	4	64								
rows a	-----	1	32								
NUMBER OF CONTACTS											
TERMINATION											
L = 2.75 ±0.15 (.108)	A = $\phi 0.6^{0}_{-0.08}$	B = $\phi 0.8^{+0.3}_{0}$	13								
L = 4.15 ±0.15	A = 0.6X0.6	B = $\phi 1 \pm 0.1$	23								
OPTIONS											
no option	-----	7									
with harpoons	-----	H									
PERFORMANCE CLASS											
DIN 41612 class 3	-----	4									
DIN 41612 class 2	-----	5									
DIN 41612 class 1	-----	6									
TERMINATION TYPE											
LEAD FREE	-----	E1LF									

### PCB DRILLING



GENERAL CHARACTERISTICS AND ROHS INFORMATIONS:

SEE DRAWING C-8609-0000A

mat'l. code		SEE NOTE 4		surface		tolerance		projection		product family	
				ISO 1302 <input checked="" type="checkbox"/>		ISO 406 ISO 101				DIN-8609	
ltr		ecn no		dr		date		tolerances unless otherwise specified		title	
E		LS05-0056		LGO		2005-06-21		angles linear		RIGHT ANGLE HEADER - STYL	
F		LS06-0097		LGO		2006-07-11		linear		SOLDER TO BOARD	
G		ELX-I-41919		SA		2021-08-05		0°±1°		scale -	
H		ELX-I-58095		NS		2025-11-11		dr		dwg no	
								ROUILLARD		sheet 2 of 2	
								1992-05-05		size	
								2025-11-11		5	
								NIRMAL SAM		A3	
								-		C-8609-0250	
								-		type	
								MATHEW		Product Customer Drawing	
sheet		revision		H		H					
index		sheet		1		2					

© 2016 AFCl  
 Amphenol FCI