

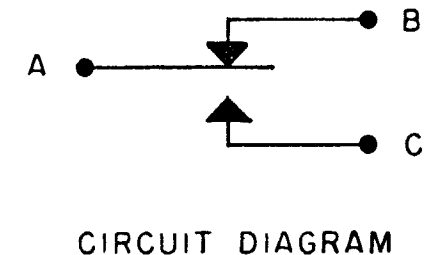
MICRO SWITCH

A DIVISION OF MINNEAPOLIS HONEYWELL REGULATOR COMPANY
PREPARED IN MINNEAPOLIS, MINN.

FED. MFR. CODE 91929

SWITCH - ENCLOSED

CATALOG LISTING
1CH32-R



1CH32-R

M

DRAWING NUMBER

X 2

X 8

ISSUE

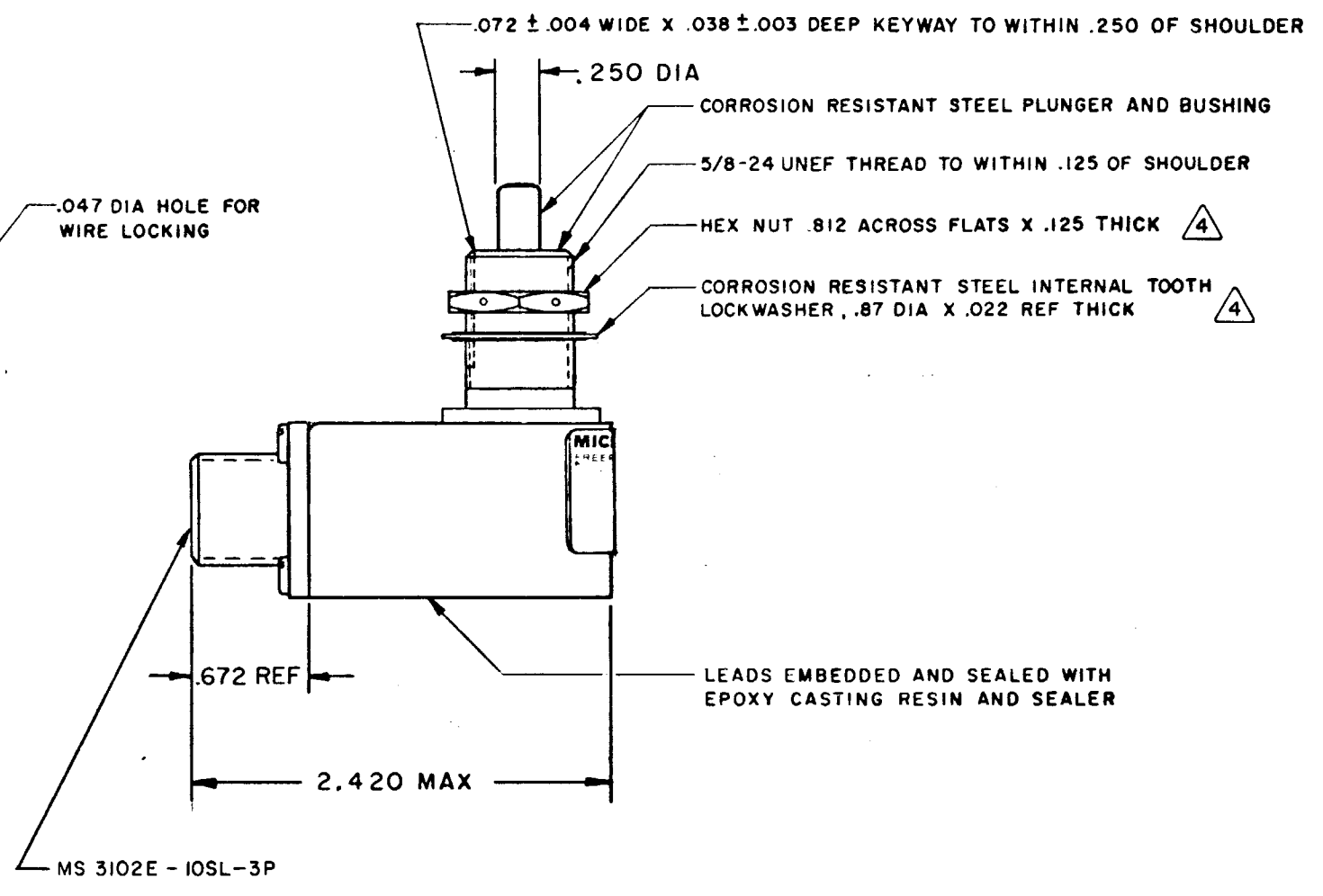
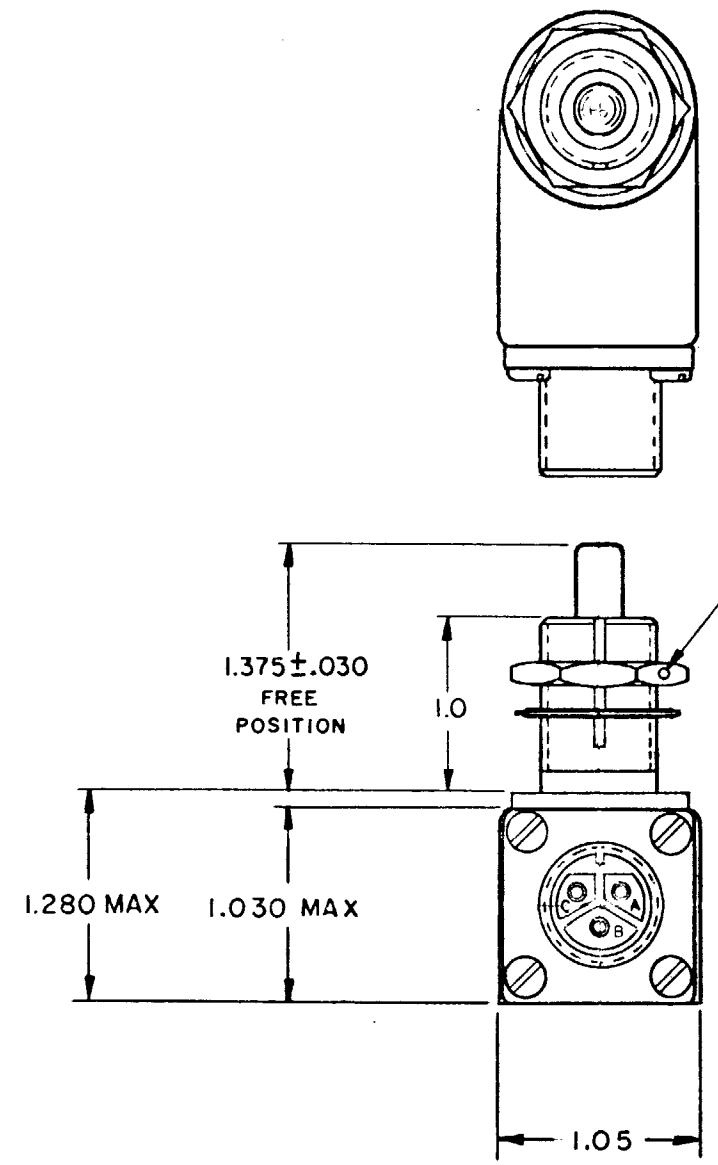
X 8

X 14

REVISIONS

A	CORR	H B W	25 MAR 65
B	MADE MPS	RER	31 MAR 65
C	CO 20147	M B F	5 AUG 65
D	SR 11964	M B F	14 SEP 65
E	CO 20829	M B F	16 NOV 65
F	CO 30832	RER	20 JUL 72
G	CO 33906	RER	NOV 74
H	CO-34722	J A L	7 JAN 75
J	CO 44117	S L B	19 APR 78
K	CO 44351	S L B	7 DEC 78

RELEASE NO. SR 11964



NOTES

- 1 - SWITCH SEALED PER MIL-S-8805 SYMBOL 2
 - 2 - CIRCUIT DIAGRAM, CATALOG LISTING AND DATE CODE ARE SHOWN ON NAMEPLATE
 - 3 - CORROSION RESISTANT STEEL ENCLOSURE
- ⚠️ HARDWARE MAY BE PACKAGED UNASSEMBLED PER MIL-S-8805

THIS DRAWING COVERS A PROPRIETARY ITEM AND IS THE PROPERTY OF MICRO SWITCH, A DIVISION OF MINNEAPOLIS-HONEYWELL REGULATOR CO. THIS DRAWING IS NOT TO BE COPIED OR USED WITHOUT THE APPROVAL OF MICRO SWITCH.

CHARACTERISTICS		ELECTRICAL DATA		SCALE FULL	
OPERATING FORCE	6-12 LB	CONTACT ARRANGEMENT	DO NOT SCALE PRINT		
FULL OVERTRAVEL FORCE	30 LB MAX	S P D T	UNLESS OTHERWISE SPECIFIED DIMENSIONS ARE IN INCHES		
RELEASE FORCE	4 LB MIN	LOAD	TOLERANCES ARE:		
PRETRAVEL	.040 MAX	RES	SEA LEVEL	50,000 FT.	ONE PLACE (.0) ±.030
DIFFERENTIAL TRAVEL	.020 MAX	IND	4	4	TWO PLACE (.00) ±.018
OVERTRAVEL	.250 MIN	MOTOR	2	2	THREE PLACE (.000) ±.008
			4		ANGLES ±
					WEIGHT