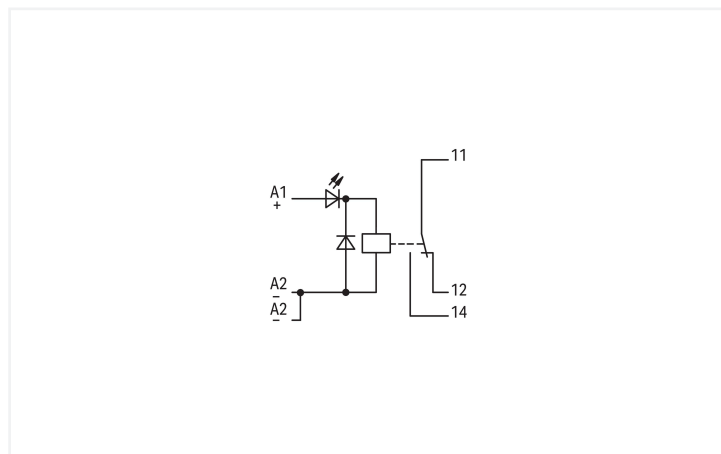


Data Sheet | Item Number: 286-307/004-000

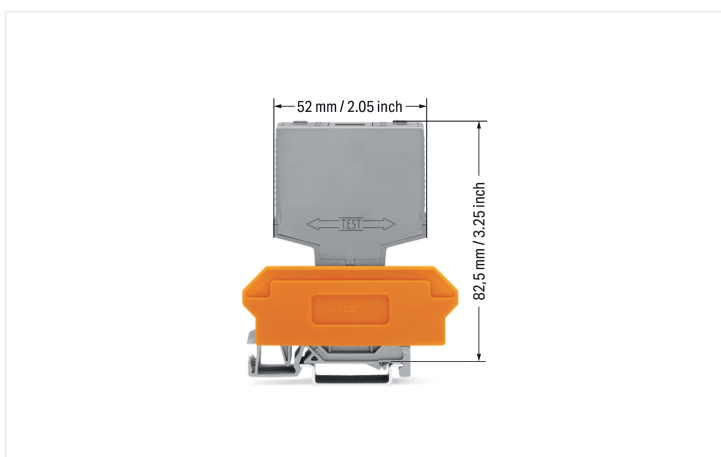
Relay module; Nominal input voltage: 110 VDC; 1 changeover contact; Limiting continuous current: 3 A; Railway; Red status indicator; Module width: 15 mm; gray

<https://www.wago.com/286-307/004-000>



Color: ■ gray

Similar to illustration



Technical data

Control circuit

Nominal input voltage U_N	110 VDC
Input voltage range	-30 ... +25 %
Nominal input current at U_N	4 mA

Load circuit

Number of changeover/switchover contacts	1
Contact material (relay)	AgNi 0.15
Limiting continuous current	3 A
Switching Voltage, Max.	250 VAC
Switching power (resistive) max.	AC 750 VA
Pull-in time (typ.)	8 ms
Drop-out time (typ.)	6 ms
Bounce time (typ.)	4 ms

Signaling

Status indicator	Red LED
------------------	---------

Safety and protection

Rated Voltage	300 V
Overvoltage category	II
Pollution degree	2
Dielectric strength (control/load circuit) (AC, 1 min)	3 kVrms
Dielectric strength (open contact) (AC, 1 min)	1 kVrms
Insulation type (control/load circuit)	Reinforced insulation (safe isolation)
Insulation type (adjacent devices)	Reinforced insulation (safe isolation)
Protection type	IP20

Physical data

Width	15 mm / 0.591 inches
Height	52 mm / 2.047 inches
Depth from upper-edge of DIN-rail	82.5 mm / 3.248 inches
Note (dimensions)	Depth including carrier terminal block

Mechanical data

Mounting type	Pluggable module for receptacle terminal blocks
---------------	---

Material data

Note (material data)	Information on material specifications can be found here
Color	gray
Fire load	0.291 MJ
Weight	23.1 g

Environmental requirements

Ambient temperature (operation at U_n)	-25 ... +70 °C
Ambient temperature (storage)	-25 ... +70 °C
Processing temperature	-25 ... +50 °C
Relative humidity	5 ... 85 % (no condensation permissible)
Operating altitude (max.)	2000 m

Standards and Specifications

Standards/specifications	EN 61010-2-201
--------------------------	----------------

Commercial data

Product Group	6 (INTERFACE ELECTRONIC)
PU (SPU)	15 (1) pcs
Packaging type	Box
Country of origin	DE
GTIN	4045454709105
Customs tariff number	85364900990

Product Classification	
UNSPSC	39122334
eCl@ss 10.0	27-37-16-01
eCl@ss 9.0	27-37-16-01
ETIM 9.0	EC001437
ETIM 10.0	EC001437
ECCN	NO US CLASSIFICATION

Environmental Product Compliance	
CAS-No.	1303-86-2 7439-92-1 79-94-7
REACH Candidate List Substance	2,2',6,6'-tetrabromo-4,4'-isopropylidenediphenol Diboron trioxide Lead
RoHS Compliance Status	Compliant,With Exemption
RoHS Exemption	7(a)
SCIP notification number (Austria)	81828017-49df-4293-a656-88ad43efb054
SCIP notification number (Belgium)	5ddc4fe6-0673-499a-8e00-c8df3e61a8d
SCIP notification number (Bulgaria)	08b6913c-7e63-49aa-868c-5905e8b4cd05
SCIP notification number (Czech Republic)	6fc70c82-1fab-4a89-8148-b9a659039b3a
SCIP notification number (Denmark)	af3d9c6f-763c-4fb5-8461-e5edef4dae6d
SCIP notification number (Finland)	910b84da-0a64-4266-a73b-82f0562b16e7
SCIP notification number (France)	8e409d76-c604-4f79-8e66-0310246cb279
SCIP notification number (Germany)	006dad3-90a1-45d5-b130-4c5dc5632ff3
SCIP notification number (Hungary)	7c1acc02-2e72-4027-bf12-0caff02106e
SCIP notification number (Italy)	e333515a-0f47-4cca-bb4c-785059621f90
SCIP notification number (Netherlands)	0c5e03ed-27b1-489b-9876-f99ccce5af3c
SCIP notification number (Poland)	6df00da0-9c65-403f-82b3-92d439f1046f
SCIP notification number (Romania)	cb548765-5811-44dc-9de0-25cb0a5d1a0e
SCIP notification number (Sweden)	3418933c-d55f-4ac5-b907-4b47107f3f03

Approvals / Certificates

General approvals



Approval	Standard	Certificate Name
EAC GZO Almaty Standart	TP TC 004/2011	EAC CoC 03078
EAC GZO Almaty Standart	TP TC 020/2011	EAC CoC 03081

Declarations of conformity and manufacturer's declarations

Approval	Standard	Certificate Name
EU-Declaration of Conformity WAGO GmbH & Co. KG	-	-

Downloads

Environmental Product Compliance

Compliance Search

Environmental Product Compliance
286-307/004-000



Documentation

Instruction Leaflet

Operation and Assembly Instructions Interface	V 1.0.0 02.04.2025	pdf 1246.19 KB
---	-----------------------	-------------------



CAD/CAE-Data

CAE data

WSCAD Universe
286-307/004-000



1 Compatible Products

1.1 Optional Accessories

1.1.1 Marking

1.1.1.1 Marker



Item No.: 209-701

WSB marking card; as card; not stretchable; plain; snap-on type; white

1.1.2 Terminal blocks

1.1.2.1 Terminal block for pluggable modules



Item No.: 280-619

Terminal block for pluggable modules; 6-pole; with 2-conductor terminal blocks; with orange separator; for DIN-rail 35 x 15 and 35 x 7.5; 2,5 mm²; CAGE CLAMP®; 2,50 mm²; gray



Item No.: 280-763

Terminal block for pluggable modules; 6-pole; with 4-conductor terminal blocks; with marker carrier; with orange separator; for DIN-rail 35 x 15 and 35 x 7.5; 2,5 mm²; CAGE CLAMP®; 2,50 mm²; gray

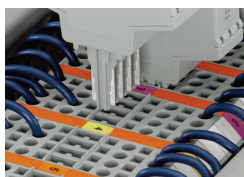


Item No.: 280-609

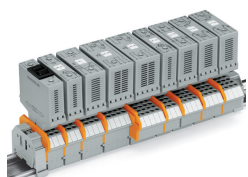
Terminal block for pluggable modules; 6-pole; with 4-conductor terminal blocks; with orange separator; for DIN-rail 35 x 15 and 35 x 7.5; 2,5 mm²; CAGE CLAMP®; 2,50 mm²; gray

Installation Notes

Installation



Coding ensures correct polarity.



Pluggable electronic modules on 2- or 4-conductor carrier terminal blocks

Marking



Marking via WMB Multi Marking System.

Testing



Function testing via touch-proof test slots