

# C-RC 2,5/M3 DIN - Ring cable lug

3240076

<https://www.phoenixcontact.com/us/products/3240076>

Please be informed that the data shown in this PDF document is generated from our online catalog. Please find the complete data in the user documentation. Our general terms of use for downloads are valid.



Ring cable lug, non-insulated, 1.1 ... 2.5 mm<sup>2</sup>, M3

## Your advantages

- The CRIMPFOX-RC... tools from our CRIMPFOX range of crimping pliers are available for optimum crimping
- The hard-soldered press zone enables maximum conductor pull-out values to be achieved
- The ring cable lugs without plastic sleeve are made from high-quality tin-plated electrolytic copper for maximum protection against corrosion

## Commercial data

Item number	3240076
Packing unit	100 pc
Minimum order quantity	100 pc
Sales key	BH34
Product key	BH3422
Catalog page	Page 490 (C-3-2019)
GTIN	4046356452939
Weight per piece (including packing)	0.636 g
Weight per piece (excluding packing)	0.636 g
Customs tariff number	85369010
Country of origin	CN

# C-RC 2,5/M3 DIN - Ring cable lug

3240076

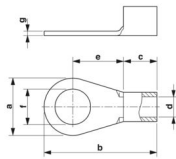
<https://www.phoenixcontact.com/us/products/3240076>

## Technical data

### Product properties

Product type	Connector
Product property	Design according to DIN 46234
	Brazed
	Tin-plated

### Dimensions

Dimensional drawing	
Width	6 mm
Sleeve length	14 mm
Length of the insulating material sleeve	5 mm
Maximum stripping length	8 mm
Distance from the center to the insulating material sleeve	6 mm
Min. material thickness	0.8 mm
Inner dimensions of the insulating collar	2.3 mm

### Internal dimensions

Internal diameter	3.2 mm
-------------------	--------

### Material specifications

Color	silver-colored
Material	Copper
Coating	tin-plated

### Mechanical properties

#### Technical data

Sleeve length	14 mm
---------------	-------

### Environmental and real-life conditions

#### Ambient conditions

Ambient temperature (operation)	110 °C
---------------------------------	--------

### Standards and regulations

Design according to standard	DIN 46234
------------------------------	-----------

# C-RC 2,5/M3 DIN - Ring cable lug

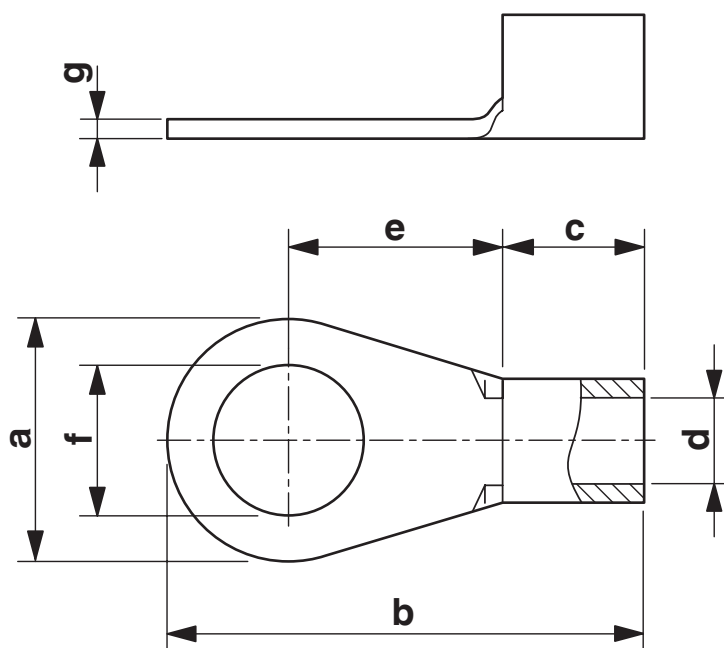
3240076

<https://www.phoenixcontact.com/us/products/3240076>



## Drawings

Dimensional drawing



# C-RC 2,5/M3 DIN - Ring cable lug



3240076

<https://www.phoenixcontact.com/us/products/3240076>

## Classifications

### ECLASS

ECLASS-13.0

27400204

### ETIM

ETIM 9.0

EC001052

### UNSPSC

UNSPSC 21.0

27121700

# C-RC 2,5/M3 DIN - Ring cable lug



3240076

<https://www.phoenixcontact.com/us/products/3240076>

## Environmental product compliance

### EU RoHS

Fulfills EU RoHS substance requirements	Yes, No exemptions
---	--------------------

### China RoHS

Environment friendly use period (EFUP)	EFUP-E
	No hazardous substances above the limits

### EU REACH SVHC

REACH candidate substance (CAS No.)	No substance above 0.1 wt%
-------------------------------------	----------------------------

Phoenix Contact 2025 © - all rights reserved  
<https://www.phoenixcontact.com>

Phoenix Contact USA  
586 Fulling Mill Road  
Middletown, PA 17057, United States  
(+717) 944-1300  
[info@phoenixcon.com](mailto:info@phoenixcon.com)