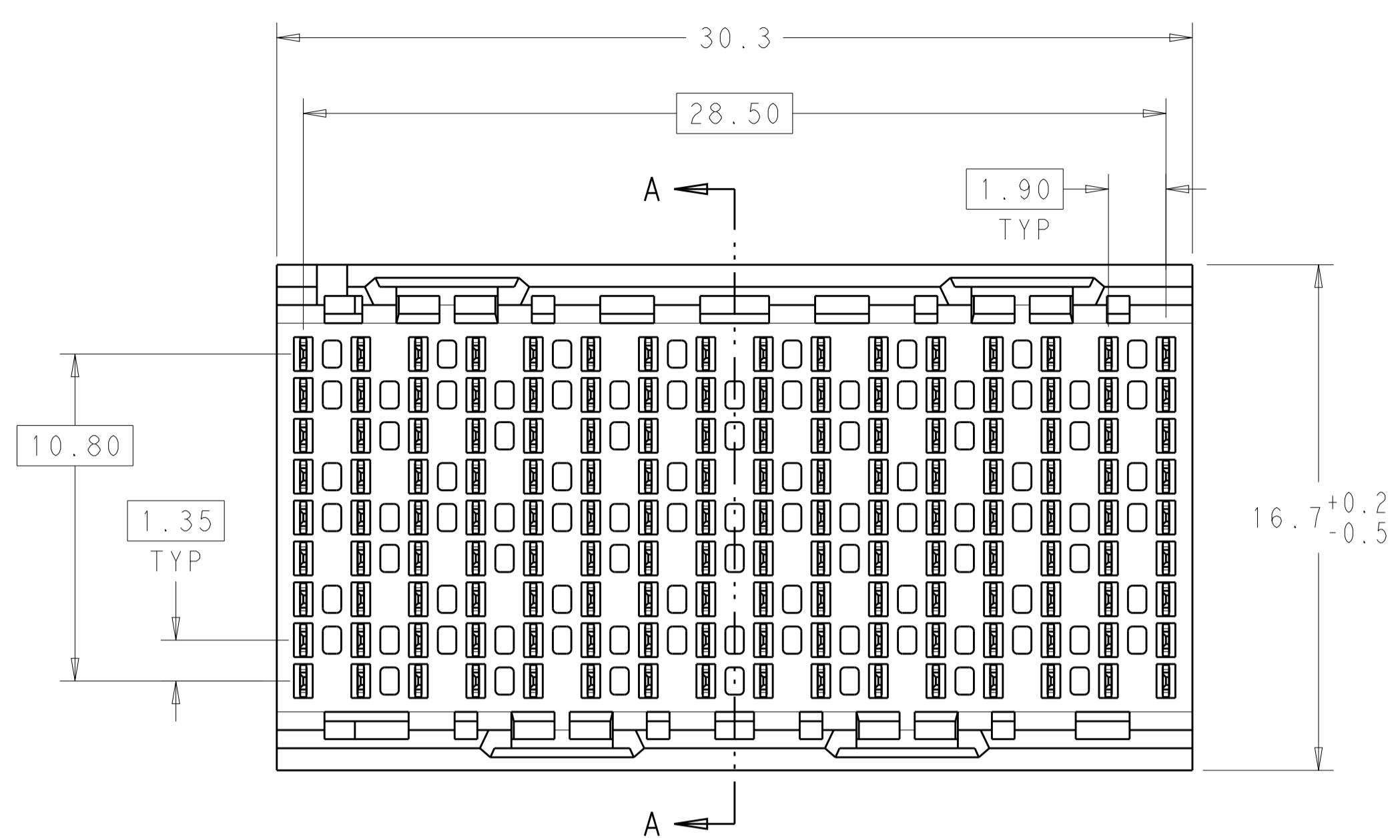
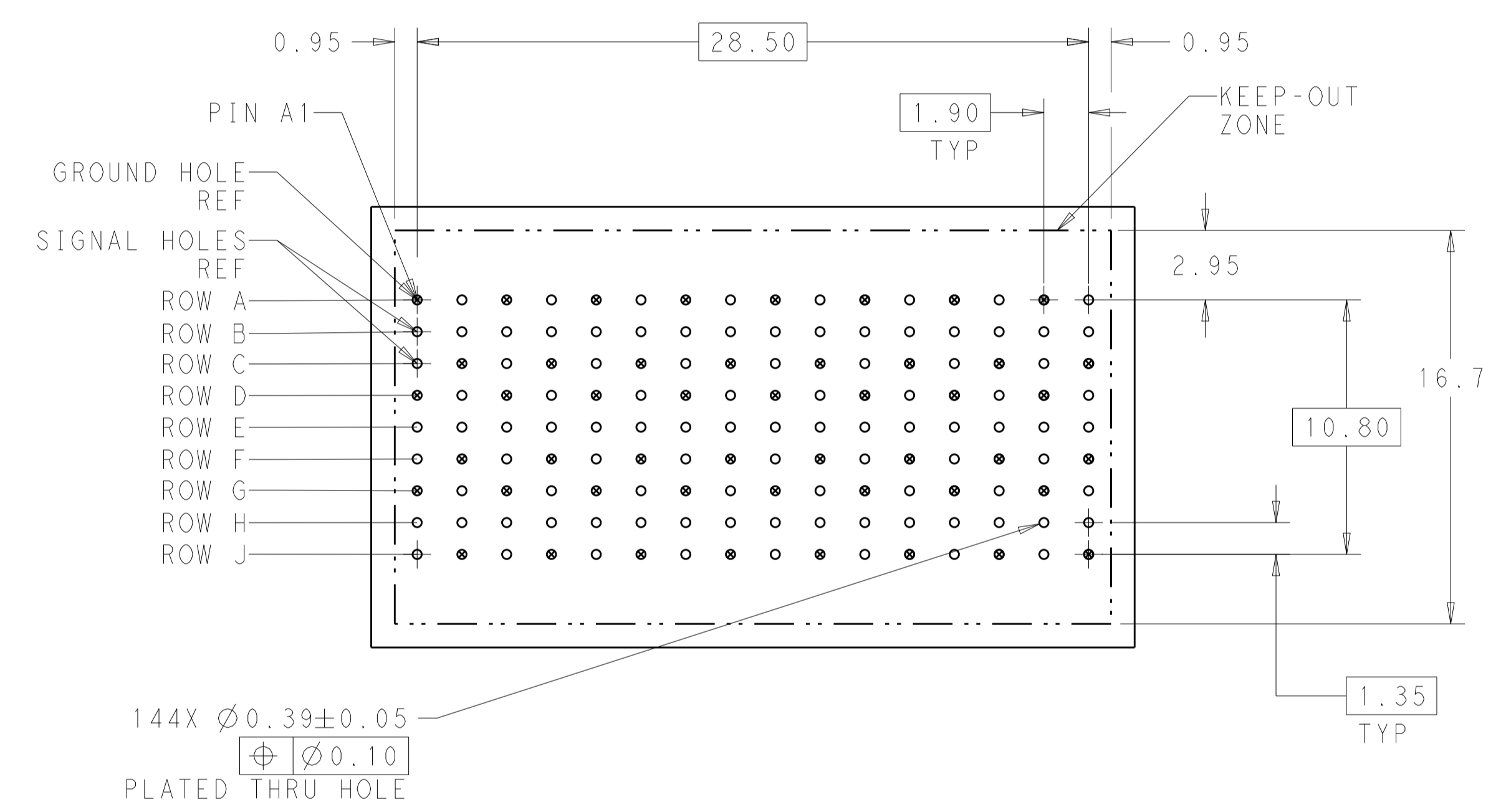
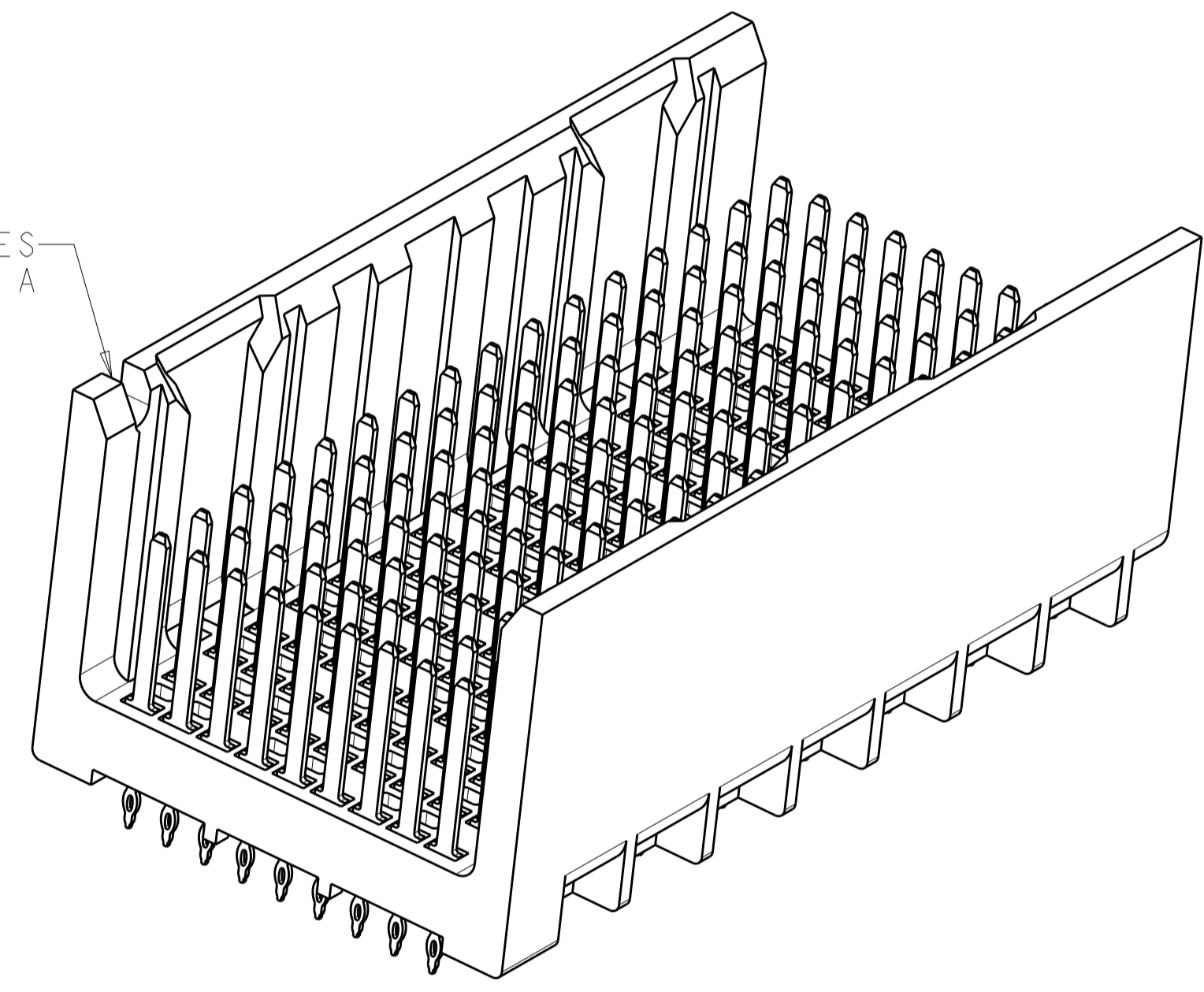


LOC		DIST		REVISIONS			
AD	00	P	LTN	DESCRIPTION	DATE	DWN	APVD
		D		REVISED PER ECO-12-020314	09JUL2013	KH	DD

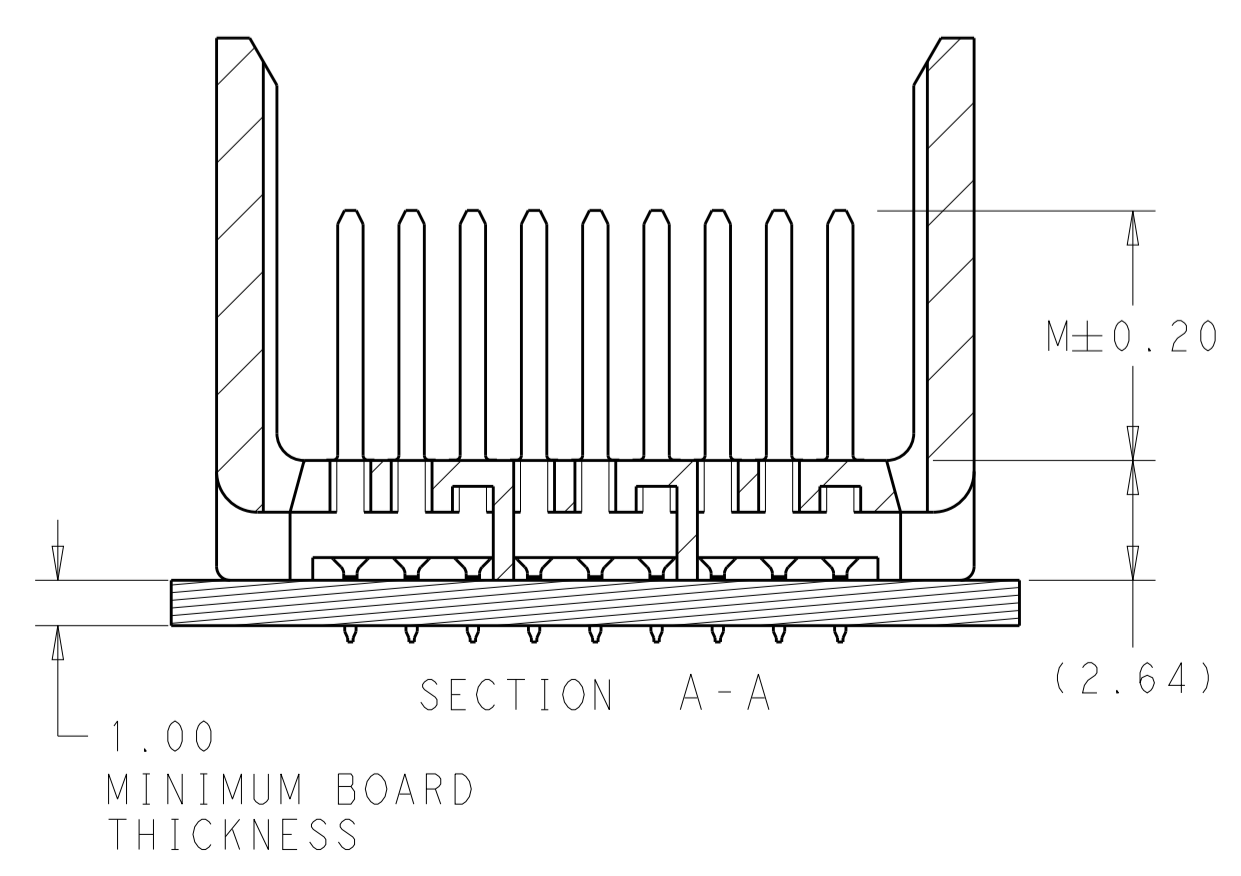
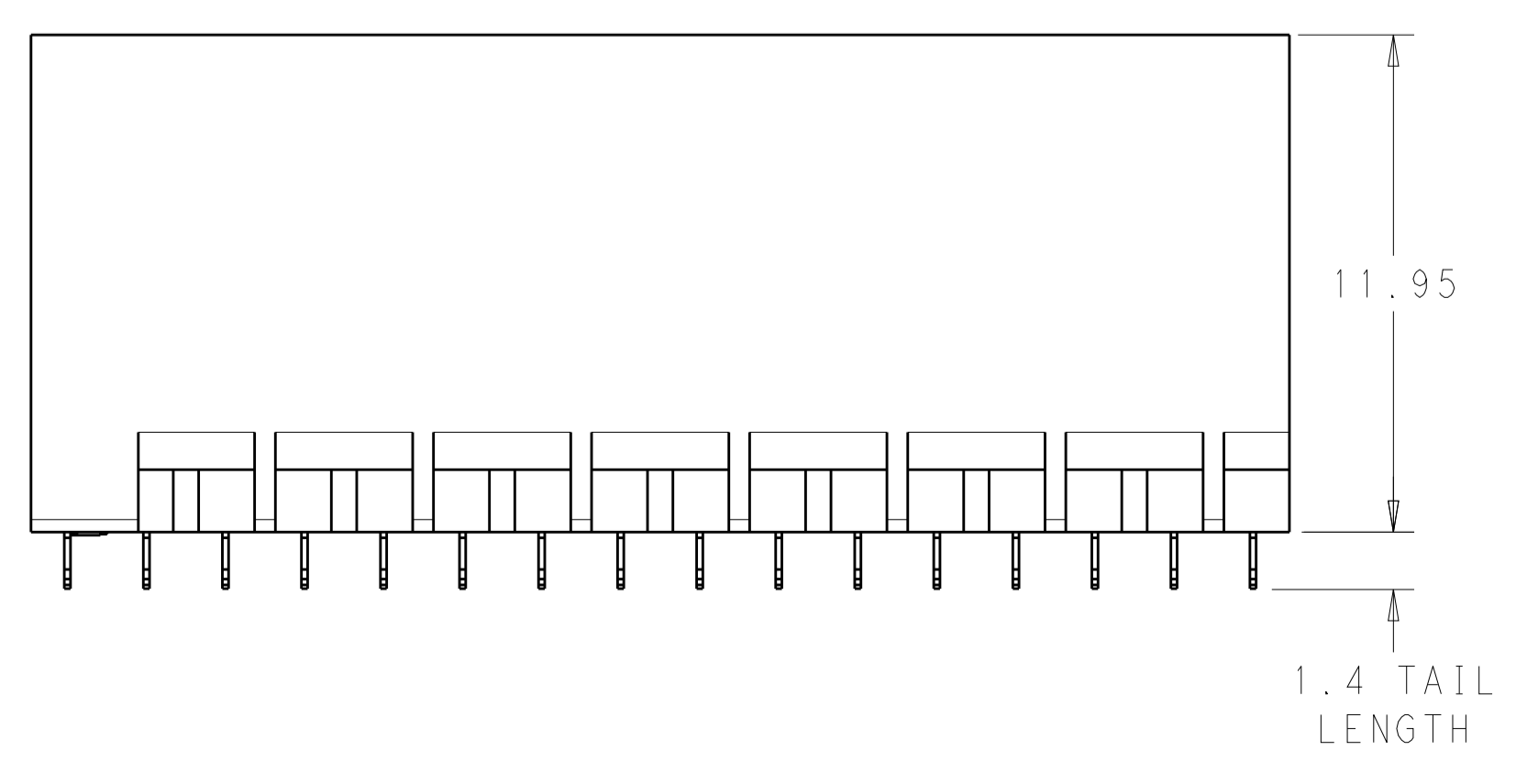


⚠ MATERIAL:  
 HOUSING: LCP, GLASS FILLED, UL94V-0.  
 TERMINALS: HIGH PERFORMANCE COPPER ALLOY.

⚠ FINISH:  
 30μ" MIN GOLD IN CONTACT AREA. SELECTIVE TIN  
 ON PCB TAILS, NICKEL OVERALL.



UNGUIDED  
 BACKPLANE HOLE PATTERN  
 (CONNECTOR SIDE)



THIS DRAWING IS A CONTROLLED DOCUMENT.		DWN J. K. SHOBER 24DEC11	TE Connectivity
DIMENSIONS: mm		CHK J. EARY 24DEC11	
TOLERANCES UNLESS OTHERWISE SPECIFIED:		APVD J. EARY 24DEC11	NAME IMPACT, 3 PAIR, 16 COLUMN, HEADER
0 PLC	±	PRODUCT SPEC	UNGUIDED, OPEN END WALL
1 PLC	±0.25	APPLICATION SPEC	SIGNAL MODULE, 0.39 PTH
2 PLC	±0.13	SIZE CAGE CODE DRAWING NO	A100779C=2007804
3 PLC	±	WEIGHT	RESTRICTED TO
4 PLC	±	CUSTOMER DRAWING	SCALE 6:1 SHEET 1 OF 2 REV D
ANGLES	±		
MATERIAL	SEE TABLE		

THIS DRAWING IS UNPUBLISHED.	RELEASED FOR PUBLICATION	20
© COPYRIGHT 20	ALL RIGHTS RESERVED.	

LOC	DIST	REVISIONS					
		P	LTN	DESCRIPTION	DATE	DMN	APVD
AD	00	-		SEE SHEET 1	-	-	-

	5.5	2007804-3
	4.9	2007804-2
	4.5	2007804-1
FINISH	DIM M	PART NUMBER

REFER TO WWW.TE.COM  
FOR PRODUCT AVAILABILITY

THIS DRAWING IS A CONTROLLED DOCUMENT.		DMN CHK APVD	J. K. SHOBER J. EARY J. EARY	24DECT1 24DECT1 24DECT1		NAME	IMPACT, 3 PAIR, 16 COLUMN, HEADER UNGUIDED, OPEN END WALL SIGNAL MODULE, 0.39 PTH
DIMENSIONS:	TOLERANCES UNLESS OTHERWISE SPECIFIED:	PRODUCT SPEC	APPLICATION SPEC	RESTRICTED TO			
mm	0 PLC ± 1 PLC ±0.25 2 PLC ±0.13 3 PLC ± 4 PLC ± ANGLES ±	WEIGHT		SIZE	CAGE CODE	DRAWING NO	A100779
MATERIAL	FINISH SEE TABLE	CUSTOMER DRAWING		SCALE	5:1	SHEET	2 OF 2
				REV	D		