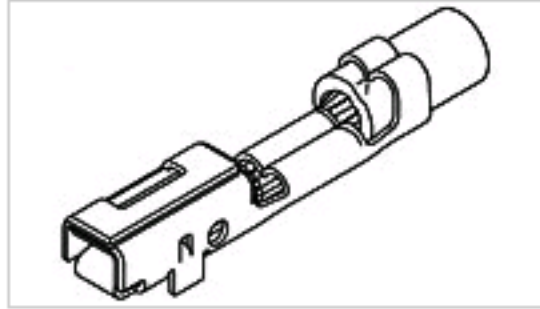


1-368085-1 Product Details

[Share](#) | [Print](#) | [Email](#)


Active

MULTILOCK Connectors and Contacts

090II N-SLD REC(SQ0.3-0.5)GOLD

1-368085-1

TE Internal Number: 1-368085-1

Product Highlights [View All](#)

- MULTILOCK™ Product Line
- Contact
- Wire-to-Wire
- Contact Type = Receptacle
- Applies To Wire/Cable

- [Pricing & Availability](#)
- [Request Sample](#)
- [Add to My Part List](#)
- [Buy Product through Distributor](#)

Feedback

[Documents](#) | [Features](#) | [Compliance](#)

Please Note:
Use the Product Drawing for all design activity

Product Type Features	
Product Line	MULTILOCK™
Product Type [?]	Contact
Wire/Cable Type	Discrete Wire
Product Series	090 II
Sealed	No

Electrical Characteristics	
Operating Voltage Reference	DC

Termination Features	
Termination Method to Wire/Cable	Crimp

Body Features	
Wire Type	Stranded
Wire Range (mm [AWG]) [?]	0.30-0.50 ² [22-20]

Contact Features	
Contact Type	Receptacle
Contact Base Material [?]	Copper Alloy
Contact Plating, Mating Area, Material [?]	Select Gold

Configuration Features	
GET 0.64 Connector System	No

Industry Standards	
RoHS/ELV Compliance [?]	RoHS compliant, ELV compliant
Lead Free Solder Processes [?]	Not relevant for lead free process
RoHS/ELV Compliance History	Always was RoHS compliant
Automotive Cable Standard	CAVUS, AVS

Conditions for Usage	
Applies To [?]	Wire/Cable
Accepts Wire Insulation Diameter, Range (mm [in]) [?]	1.10 – 2.30 [0.043 – 0.090]
For Use With [?]	Plug Housing

Operation/Application	
Application Use	Wire-to-Wire

Packaging Features	
Packaging Method	Reel
Packaging Quantity	5,000

Other	
Brand	TE Connectivity
Proprietary Name	MULTILOCK

Related Products

Not quite the product you're looking for?
[Find Similar Products](#)

[View Part in Product Feature Selector](#)

[Check for Tooling](#)

- Corporate Information**
- [About TE](#)
 - [Investors](#)
 - [News Room](#)
 - [Supplier Portal](#)
 - [Careers](#)
 - [Terms & Conditions](#)
 - [Privacy Policy](#)
 - [Global Accessibility Statement](#)

- Quick Links**
- [Distributor Inventory](#)
 - [Product Cross Reference](#)
 - [Documents & Drawings](#)
 - [Product Compliance Support Center](#)
 - [Site Map](#)

- Customer Support**
- [Email or Chat With Us](#)
 - [Find a Phone Number](#)
 - [Knowledge Base](#)
 - [Manage Your Account](#)

Keep Me Informed

Downloaded from Arrow.com