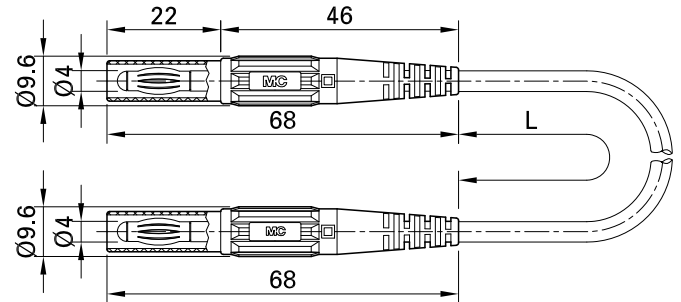


# XMF-414



Item number 66.9013-\*

Highly flexible, with in-line Ø 4 mm MULTILAM plug with rigid insulating sleeve on both ends.

| Technical data                       |                                 |
|--------------------------------------|---------------------------------|
| Diameter of plug system              | 4 mm                            |
| Rated Values                         | 1000 V, CAT III, 19 A           |
| Surface treatment electrical contact | Ni                              |
| Base material electrical contact     | CuZn                            |
| Standard color(s) *                  | 21 22 23 24 25 27               |
| Optional color(s)                    | 20 26 29                        |
| Lead lengths <input type="text"/>    | 025; 050; 075; 100; 150; 200 cm |
| Lead insulation                      | PVC                             |
| Lead cross section                   | 1,0 mm <sup>2</sup>             |
| Test accessory acc. to               | IEC EN 61010-031                |
| Approvals                            | UL, CE                          |