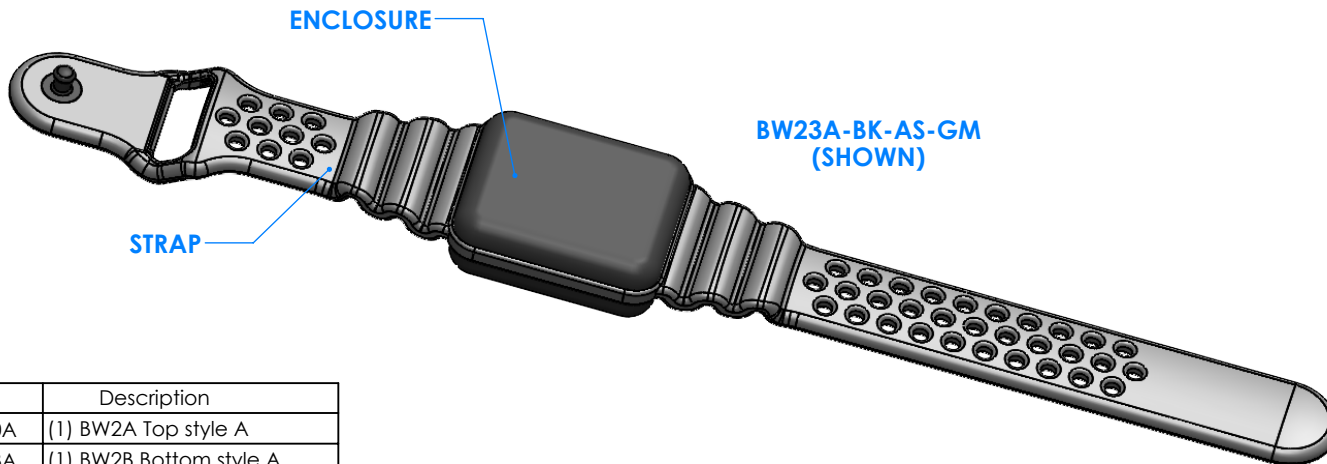
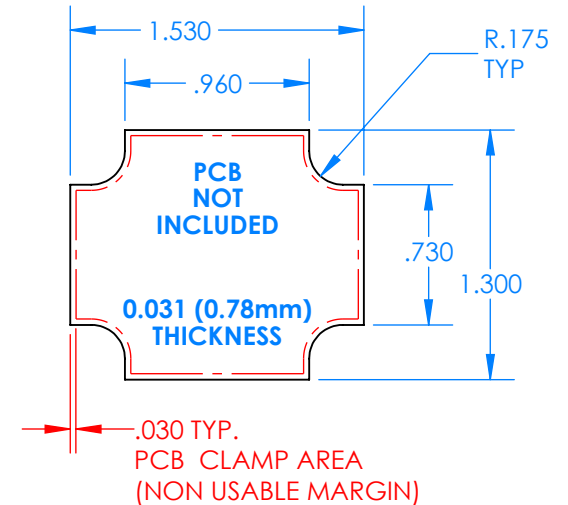
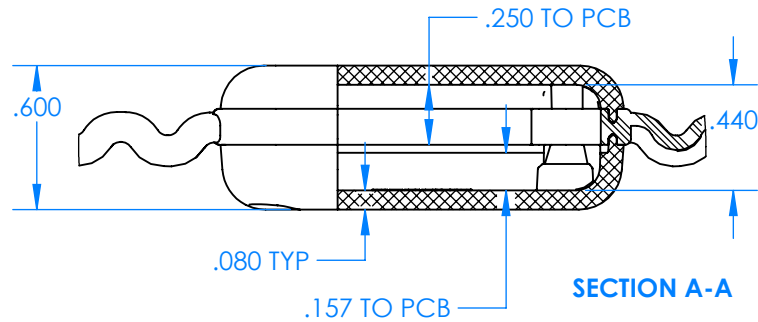
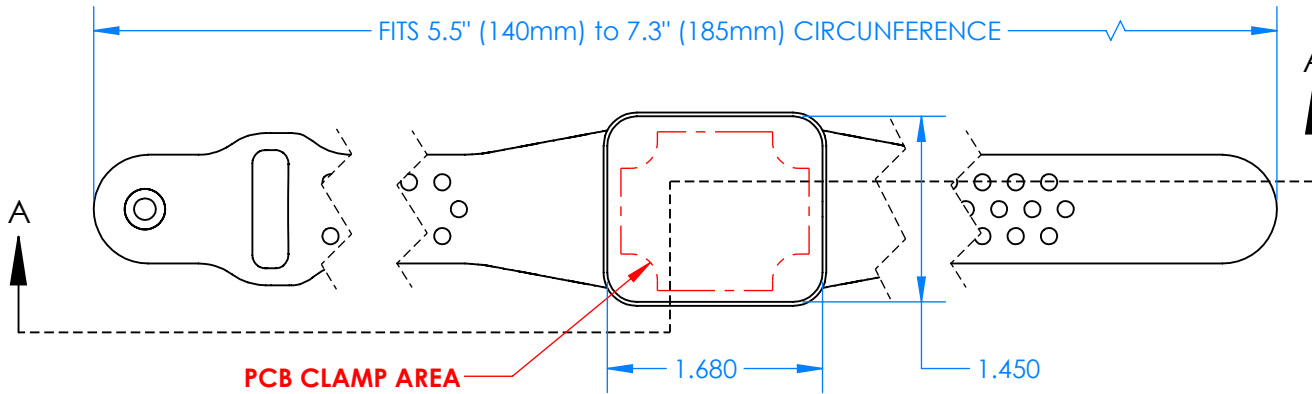


SERPAC BW23A-YY-AS-ZZ

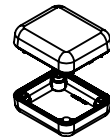
Electronic Enclosures



Enclosure color (YY)

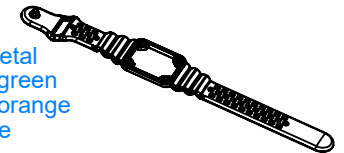
Top-Bottom combinations available

BK=black
 CL=clear
 TRGY=translucent gray
 TRRD=translucent red



Strap color (ZZ)

BK=black
 BL=blue
 GM=gunmetal
 NG=neon green
 NO=neon orange
 OR=orange
 YL=yellow
 WH=white



PN	Description
5510A	(1) BW2A Top style A
5513A	(1) BW2B Bottom style A
5517A	(1) BW2AS Small Strap style A
6057	(4) #2 X 3/8" SS PH HD screw. TORQUE 35-60 in-oz

Watertight enclosure meets or exceeds:
IP67
NEMA 4X, 12, 13

4/17/2025
 2009 Wright Ave. La Verne, CA 91750
 Ph. (626) 331-0517 Fx. (626) 331-8584 serpac.com