

MICRO SWITCH
a Honeywell Division

FED. MFG. CODE 91929

SWITCH - BASIC

CATALOG LISTING
BZ-2RW8225551-W103

CATALOG LISTING
M BZ-2RW8225551-W103

ISSUE
5

RELEASE NO. PR-20141-T REPLACES X95565-BZ

CHECK

REVISIONS	
A	CO-75204B TSM 1 FEB 94
B	CO-75367B LJK 9 MAR 94
C	CO-80384 S A V 2 MAY 95
D	CO-82977 D L T 14 MAY 96

CHECK

9 SEP 92

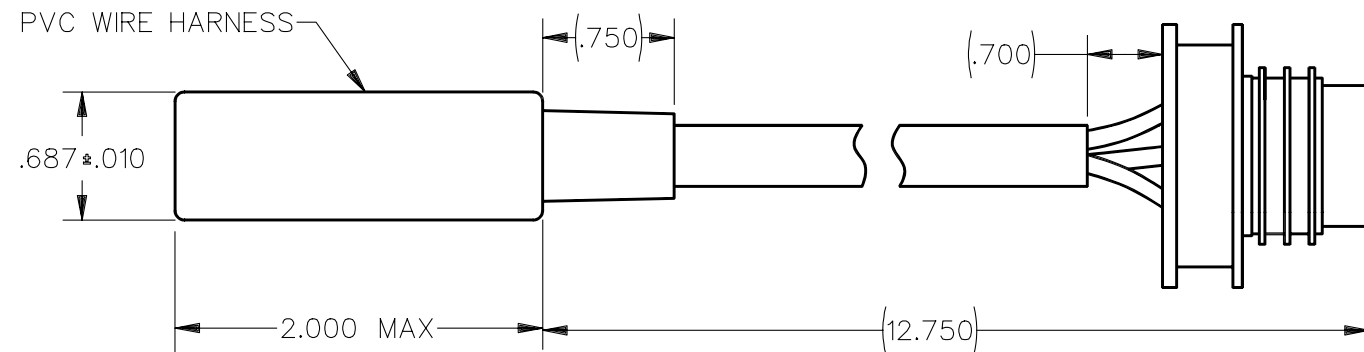
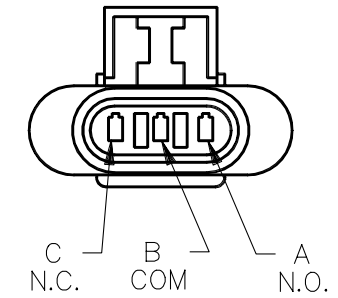
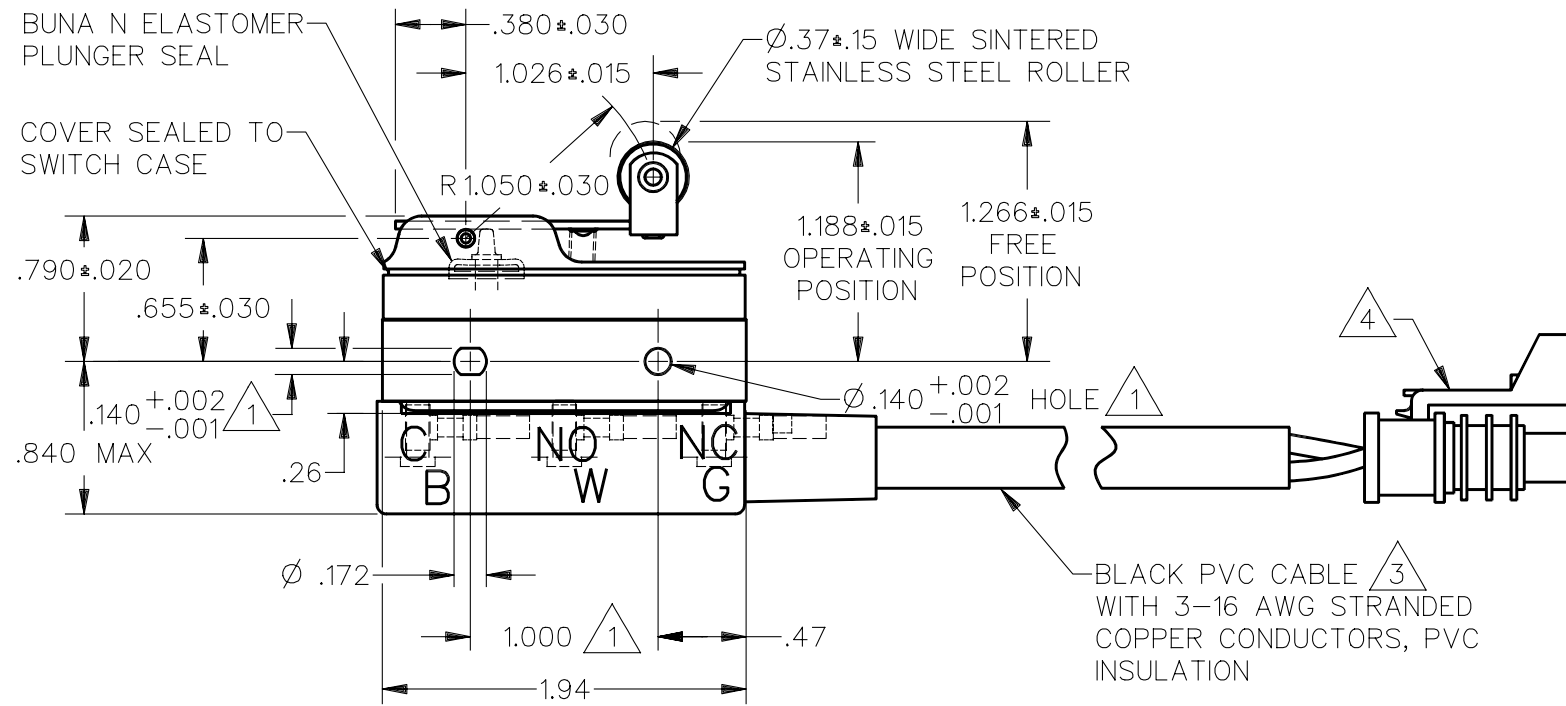
W J C

CHECK

28 AUG 92

DDM/CAD

DRAWN

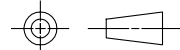


NOTES

- 1 MOUNTING HOLES WILL ACCEPT PINS OR SCREWS OF Ø.139 MAX ON 1.000*.002 CENTERS
- 2 - SEALED CONSTRUCTION PROVIDES SPLASH RESISTANCE
- 3 BLACK LEAD IS ATTACHED TO THE COMMON TERMINAL
WHITE LEAD IS ATTACHED TO THE N.O. TERMINAL
GREEN LEAD IS ATTACHED TO THE N.C. TERMINAL
- 4 150 SERIES METRI-PACK CONNECTOR (PACKARD) 3 WAY CONNECTOR 12110293
3X FEMALE TERMINAL 12048074
LOCK 12052845
SEAL 12048086 OR 12052924

THIS DRAWING COVERS A PROPRIETARY ITEM AND IS THE PROPERTY OF MICRO SWITCH, A DIVISION OF HONEYWELL. THIS DRAWING IS NOT TO BE COPIED OR USED WITHOUT THE APPROVAL OF MICRO SWITCH

THIRD ANGLE PROJECTION



CHARACTERISTICS	ELECTRICAL DATA
OPERATING FORCE-----6 OZ MAX	CONTACT ARRANGEMENT S P D T
RELEASE FORCE-----1 1/2 OZ MIN	
DIFFERENTIAL TRAVEL---.003-.020	
OVERTRAVEL-----.094 MIN	

ELECTRICAL DATA	
CONTACT ARRANGEMENT S P D T	

SCALE	
DO NOT SCALE PRINT	
UNLESS OTHERWISE SPECIFIED TOLERANCES ARE	
ONE PLACE (.0) ±.030	
TWO PLACE (.00) ±.015	
THREE PLACE (.000) ±.005	
ANGLES ±	
WEIGHT	

ANSI Y14.5M-1982 APPLIES