

DBML13W3S500MN

REFERENCE SPECIFICATIONS

-NFC 93425 (in compliance with HE 507)

PHYSICAL CHARACTERISTICS

-INSULATOR MATERIAL: THERMOPLASTIC UL94V0

-CONTACT MATERIAL: PHOSPHOR BRONZE(SIGNAL CONTACT)
GOLD OVER NICKEL

-ACCESSORIES: STEEL FOR BRACKETS
Cadmium plated, yellow passivation

-SHELLS: STEEL
Cadmium plated, yellow passivation

ELECTRICAL CHARACTERISTICS

-NOMINAL CURRENT: 7.5A (SIGNAL CONTACT)

-CONTACT RESISTANCE: <=7.3 m Ohms(SIGNAL)

-CONTACT/CONTACT : >=1000 V

ENVIRONMENTAL CHARACTERISTICS

-CONTACT/GROUND : >=1200 V

-INSULATION RESISTANCE: >=5000 MOhms

- CLIMATIC CATEGORY: 55/125/21

TEMPERATURE RANGE -55°C TO +125°C

DAMP HEAT STEADY STATE 56 DAYS

SALT SPRAY 48 HOURS

Series

Shell size: **E A B C D**
(see sheet 3)

M :Characteristics
for the DM serie

Front accessory definition
(see sheet 2)

blank :without accessory

L :threaded insert M3

O :threaded insert UNC 4-40

V :female screw UNC 4-40

Layout of contacts (see sheet 3)

Contacts

S :Socket

Termination type

5 Right angle/Europe standard

Plating

00 Right angle 500 matings/unmatings

43 Right angle 500 matings/unmatings
for harsh environment

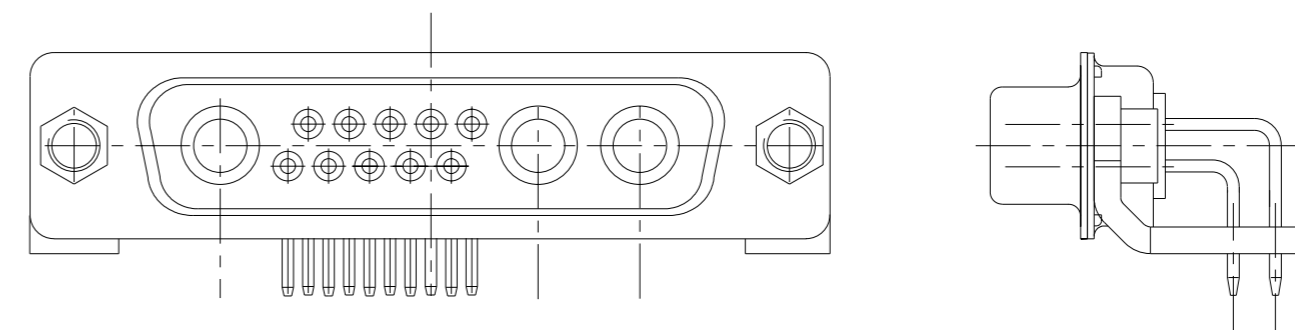
PCB accessories definition(see sheet 2)

blank :Plastic brackets

C :Without brackets

M :Metal brackets

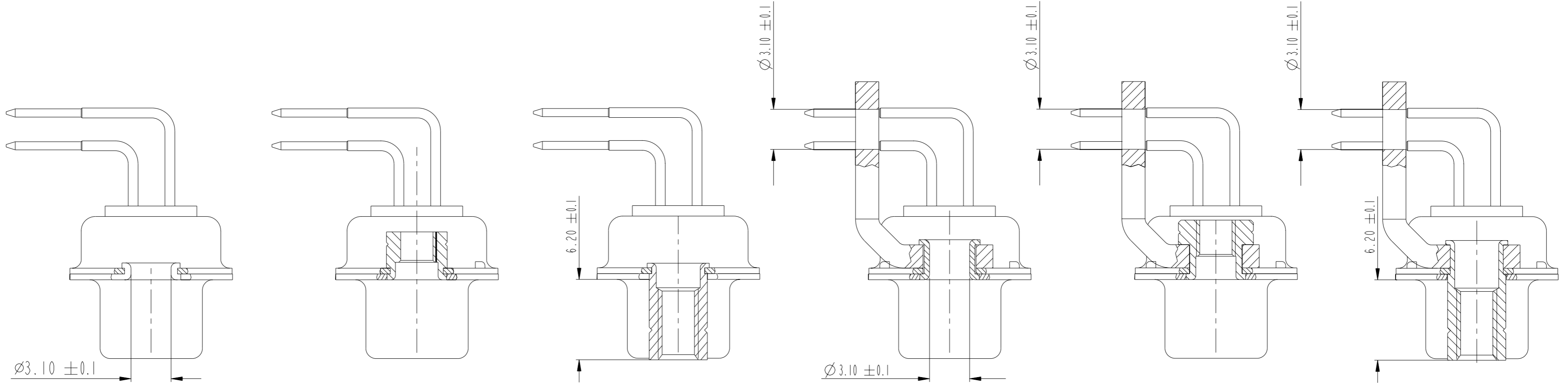
N :Obligatory indication for HE 507



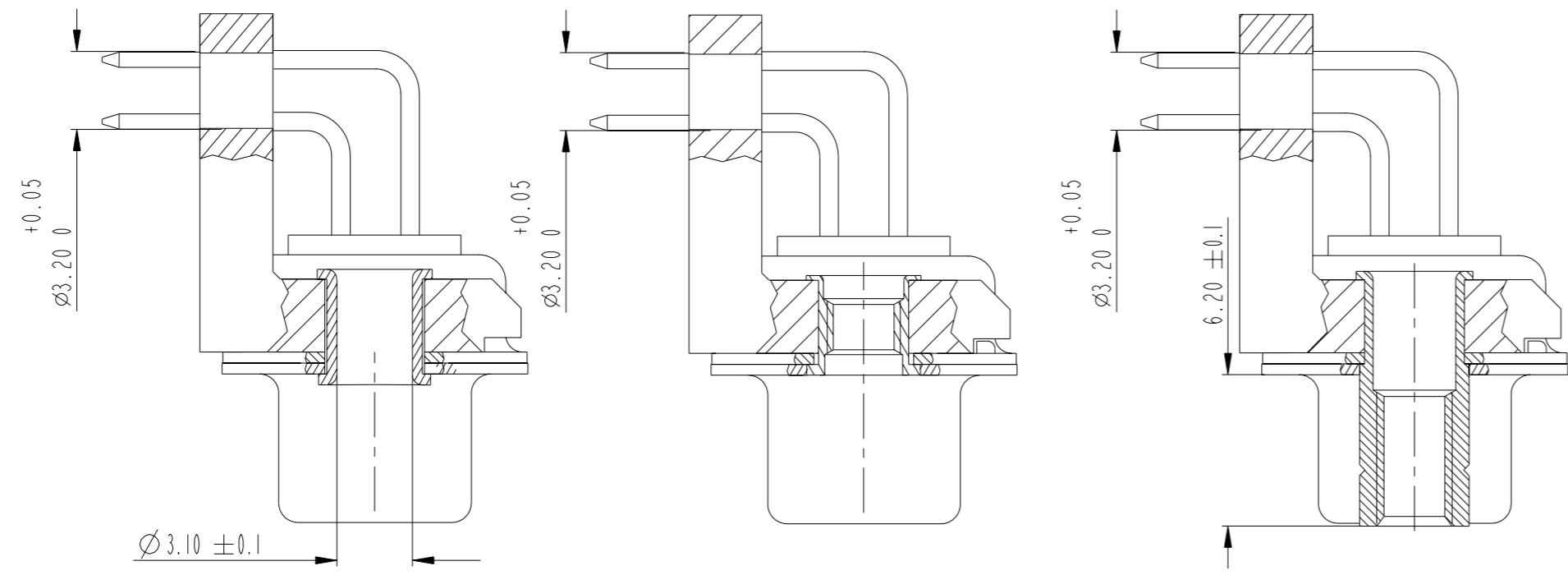
13W3 FOR EXAMPLE

| rev | ecn no | dr | date |
|-----|-----------|-----|------------|
| A | LS06-0174 | MPE | 2006/11/14 |
| - | - | - | - |
| - | - | - | - |
| - | - | - | - |
| - | - | - | - |
| - | - | - | - |

| | | | | | | | |
|--------------------|----------|---------------------------------------|----------------|----------------------------------|------------|----------|-----------|
| www.fciconnect.com | | surface | - | tolerance std | projection | mm | |
| | | ISO 1302 | ✓ | ISO 406 | ISO 1101 | mm | |
| | | TOLERANCES UNLESS OTHERWISE SPECIFIED | | | | Scale | |
| Dr | M.PESSON | 2006/11/14 | ANGULAR | 0.X | ±0.3 | size | A2 |
| Eng | M.PESSON | 2006/11/14 | LINEAR | 0.XX | ±0.1 | ECN | LS06-0174 |
| Chr | P.LEGARE | 2006/11/14 | 0° ±2° | 0.XXX | ±0.05 | Spec ref | |
| Appr | P.LEGARE | 2006/11/14 | Product family | | | | |
| FCJ | | title | | SUB FEMALE DMW EUROPE foot print | | Rev. | |
| | | mixed power right angled solder | | C01-8637-1749 | | A | |
| catalog no | | CUSTOMER | | sheet 1 of 9 | | | |



| | | | | | | |
|-----------------|--------------------------|--|--------------------------------|------------------------|--|--------------------------------|
| FRONT ACCESSORY | Blank Without | L insert M3 O insert UNC 4.40 | V Female screw UNC 4.40 | Blank Without | L insert M3 O insert UNC 4.40 | V Female screw UNC 4.40 |
| PCB ACCESSORIES | C Without bracket | C Without bracket | C Without bracket | M Metal bracket | M Metal bracket | M Metal bracket |



| | | | |
|-----------------|------------------------------|--|--------------------------------|
| FRONT ACCESSORY | Blank Without | L insert M3 O insert UNC 4.40 | V Female screw UNC 4.40 |
| PCB ACCESSORIES | Blank Plastic bracket | Blank Plastic bracket | Blank Plastic bracket |

Copyright FCi.

| | | | | | |
|--------------------|----------|--|--------------------------------|--|-------------------------------|
| www.fciconnect.com | | surface ISO 1302 | tolerance std ISO 406 ISO 1101 | projection | mm |
| | | TOLERANCES UNLESS OTHERWISE SPECIFIED | | ⊕ | Scale 2:1 |
| Dr | M.PESSON | 2006/11/14 | ANGULAR | 0.X ±0.3 | size A2 |
| Eng | M.PESSON | 2006/11/14 | LINEAR | 0.XX ±0.1 | ECN LS06-0174 |
| Chr | P.LEGARE | 2006/11/14 | 0° ±2° | 0.XXX ±0.05 | - Spec ref |
| Appr | P.LEGARE | 2006/11/14 | Product family | | |
| | | TITLE SUB FEMALE DMW EUROPE foot print mixed power right angled solder | | dwg no C01-8637-1749 Rev. A | Rev. A sheet 2 of 9 |
| catalog no | | - | | CUSTOMER | |

SCALE:4


shell size LAYOUTS

*
E 5W1
A 11W1
A 7W2
B 21W1
B 17W2
B 13W3
B 9W4
C 25W3
C 21WA4
C 27W2
D 47W1
D 24W7
D 36W4

| PART NUMBER | MATINGS/ UNMATINGS | FRONT ACCESSORY | PCB ACCESSORIES |
|---------------|-----------------------|-----------------------|--------------------|
| D*MxWxS500CN | 500 | without | without |
| D*MLxWxS500CN | 500 | insert M3 | without |
| D*MOxWxS500CN | 500 | insert UNC 4.40 | without |
| D*MVxWxS500CN | 500 | female screw UNC 4.40 | without |
| D*MxWxS500MN | 500 | without | metal bracket |
| D*MLxWxS500MN | 500 | insert M3 | metal bracket |
| D*MOxWxS500MN | 500 | insert UNC 4.40 | metal bracket |
| D*MVxWxS500MN | 500 | female screw UNC 4.40 | metal bracket |
| D*MxWxS500N | 500 | without | plastic bracket |
| D*MLxWxS500N | 500 | insert M3 | plastic bracket |
| D*MOxWxS500N | 500 | insert UNC 4.40 | plastic bracket |
| D*MVxWxS500N | 500 | female screw UNC 4.40 | plastic bracket |

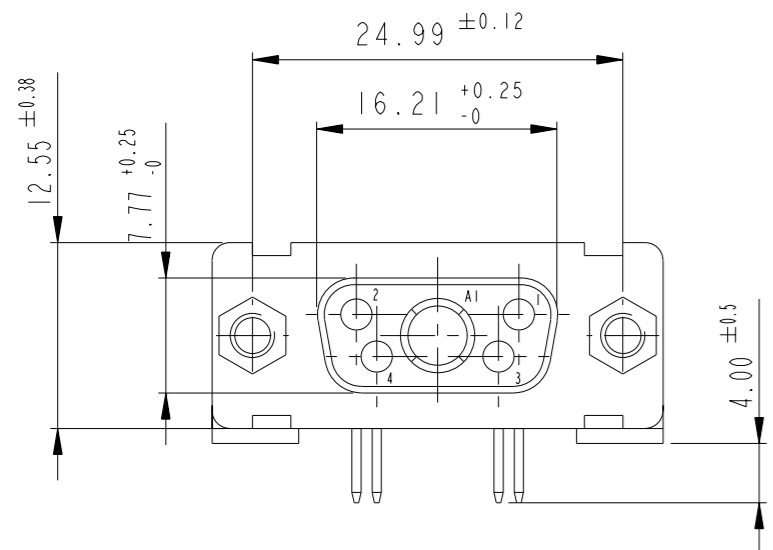
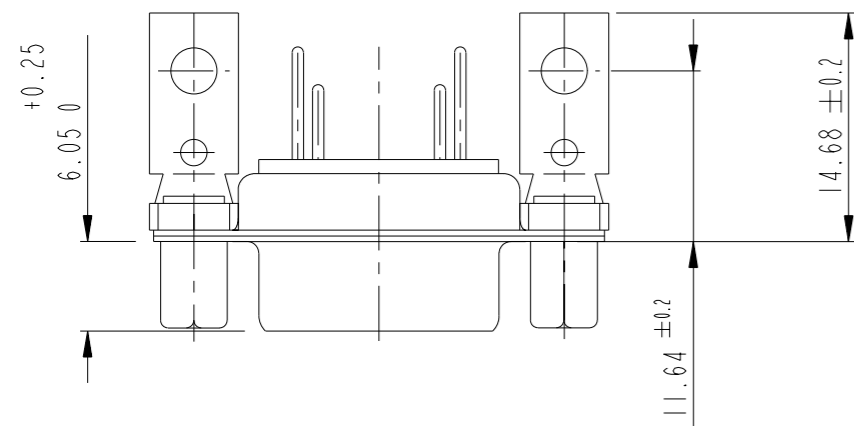
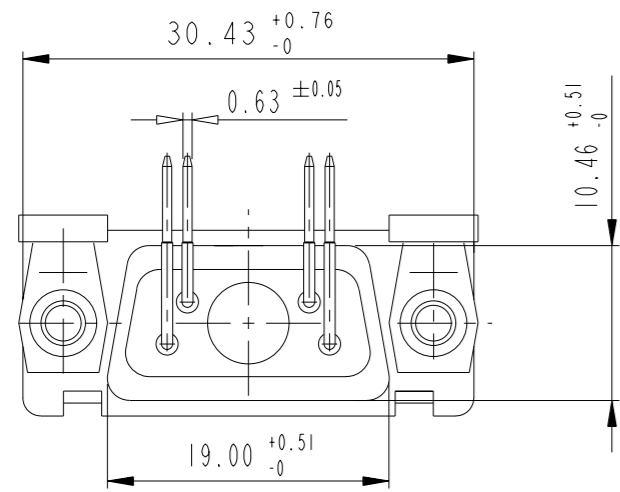
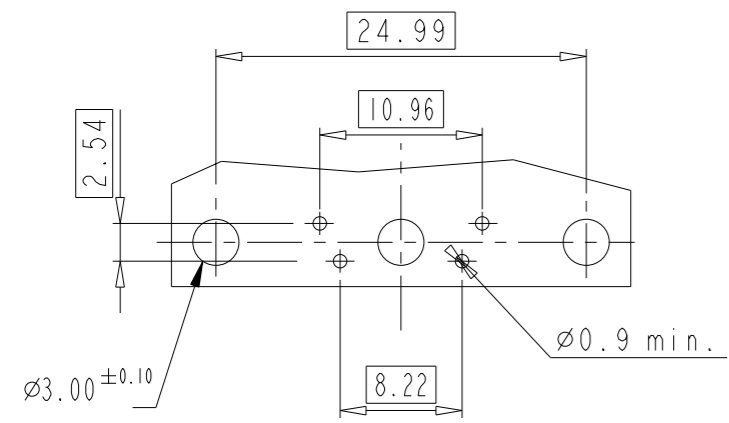
| PART NUMBER | MATINGS/ UNMATINGS | FRONT ACCESSORY | PCB ACCESSORIES |
|---------------|-----------------------|-----------------------|--------------------|
| D*MxWxS543CN | 500 | without | without |
| D*MLxWxS543CN | 500 | insert M3 | without |
| D*MOxWxS543CN | 500 | insert UNC 4.40 | without |
| D*MVxWxS543CN | 500 | female screw UNC 4.40 | without |
| D*MxWxS543MN | 500 | without | metal bracket |
| D*MLxWxS543MN | 500 | insert M3 | metal bracket |
| D*MOxWxS543MN | 500 | insert UNC 4.40 | metal bracket |
| D*MVxWxS543MN | 500 | female screw UNC 4.40 | metal bracket |
| D*MxWxS543N | 500 | without | plastic bracket |
| D*MLxWxS543N | 500 | insert M3 | plastic bracket |
| D*MOxWxS543N | 500 | insert UNC 4.40 | plastic bracket |
| D*MVxWxS543N | 500 | female screw UNC 4.40 | plastic bracket |

Copyright FCJ

| | | | | | |
|---|-----------|------------|---------------------------------------|-----------------------------------|------------------|
| www.fciconnect.com | | | surface ISO 1302 | tolerance std ISO 406 ISO 1101 | projection mm |
| | | | TOLERANCES UNLESS OTHERWISE SPECIFIED | | mm |
| Dr | M. PESSON | 2006/11/14 | ANGULAR | 0.X ±0.3 | size A2 |
| Eng | M. PESSON | 2006/11/14 | LINEAR | 0.XX ±0.1 | Scale 2:1 |
| Chr | P. LEGARE | 2006/11/14 | 0° ±2° | 0.XXX ±0.05 | ECN LS06-0174 |
| Appr | P. LEGARE | 2006/11/14 | Product family | - | Spec ref |
|  title SUB FEMALE DMW EUROPE foot print mixed power right angled solder catalog no - | | | dwg no C01-8637-1749 Rev. A | | |
| CUSTOMER | | | | sheet 3 of 9 | |

5W1

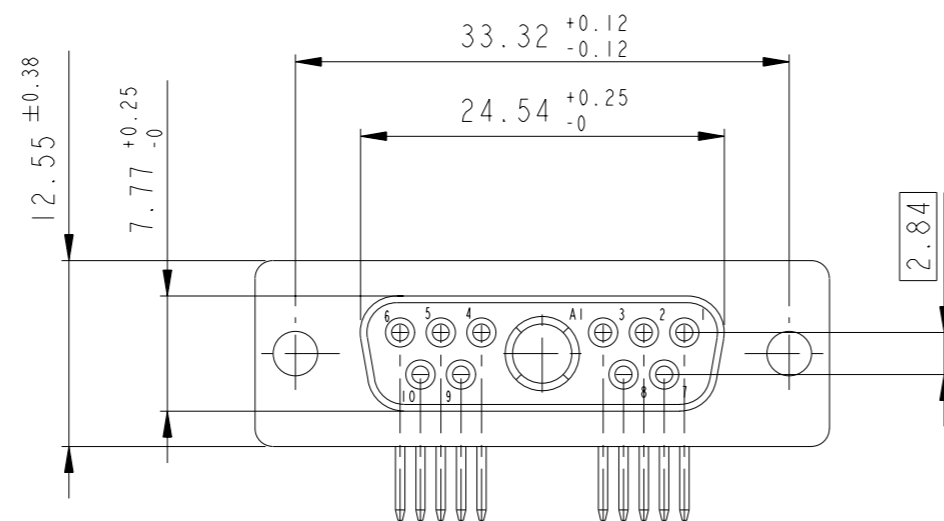
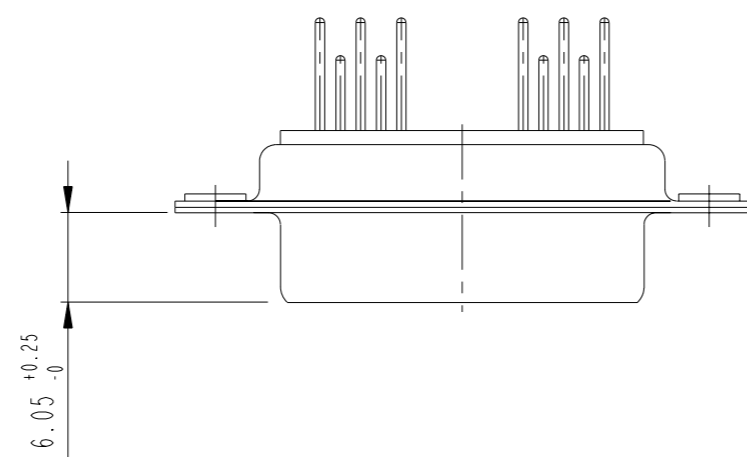
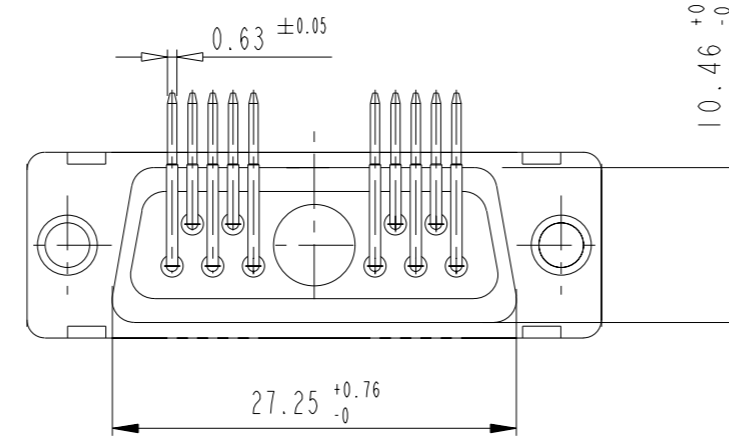
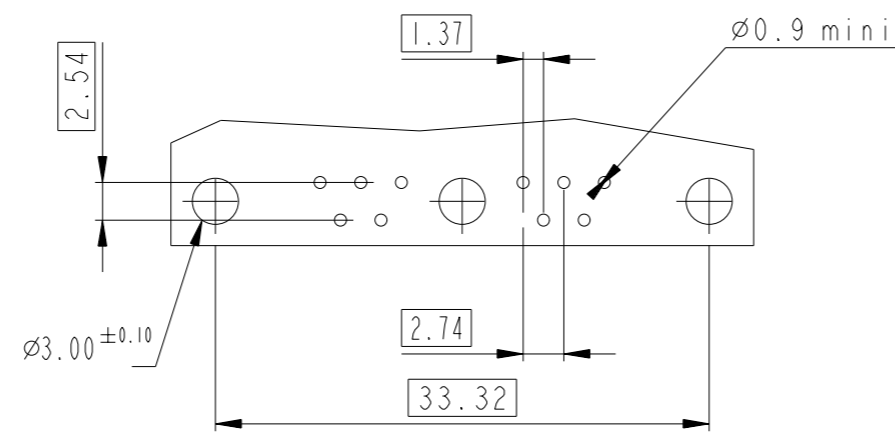
LAYOUT AND CONNECTOR DIMENSIONS



Floating signal contacts

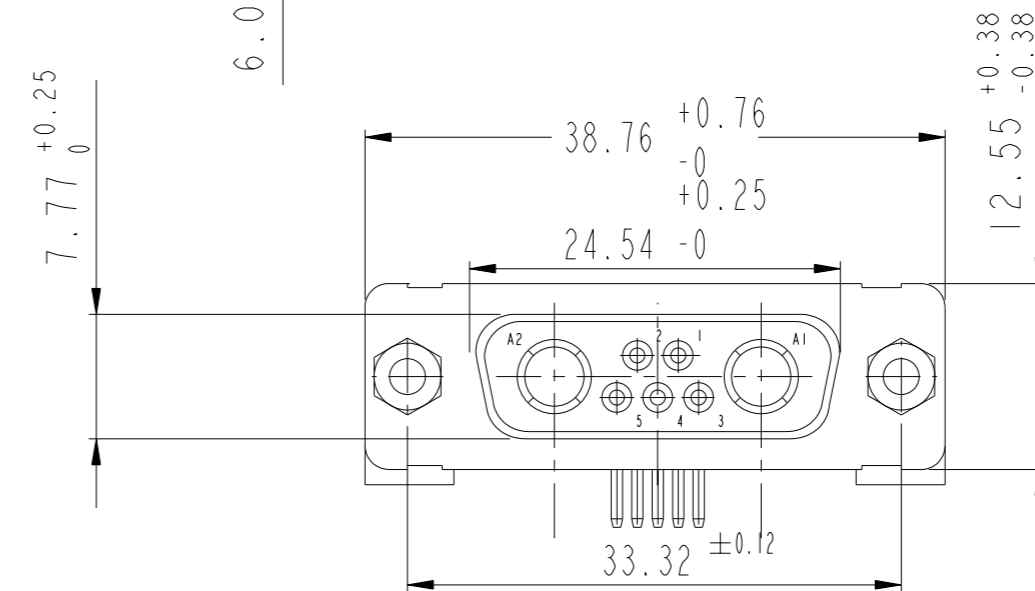
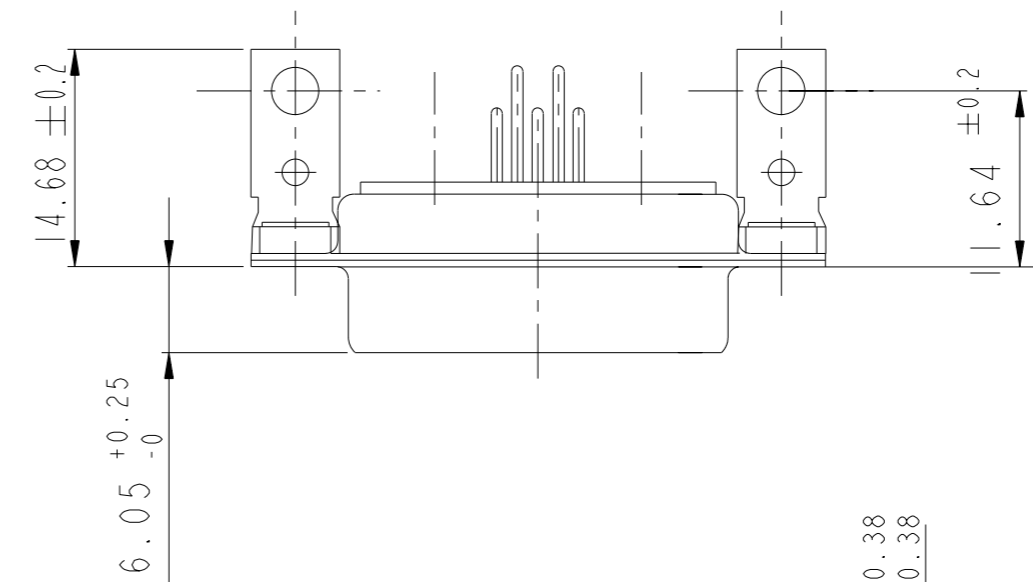
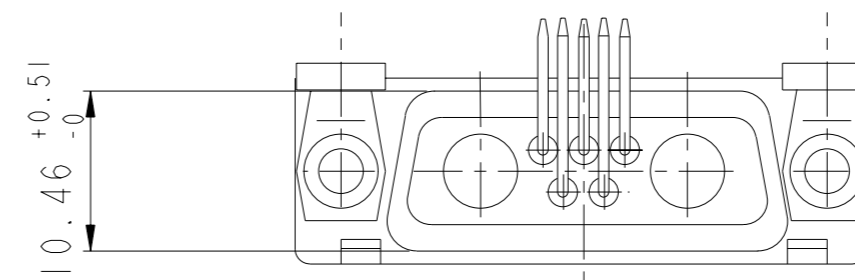
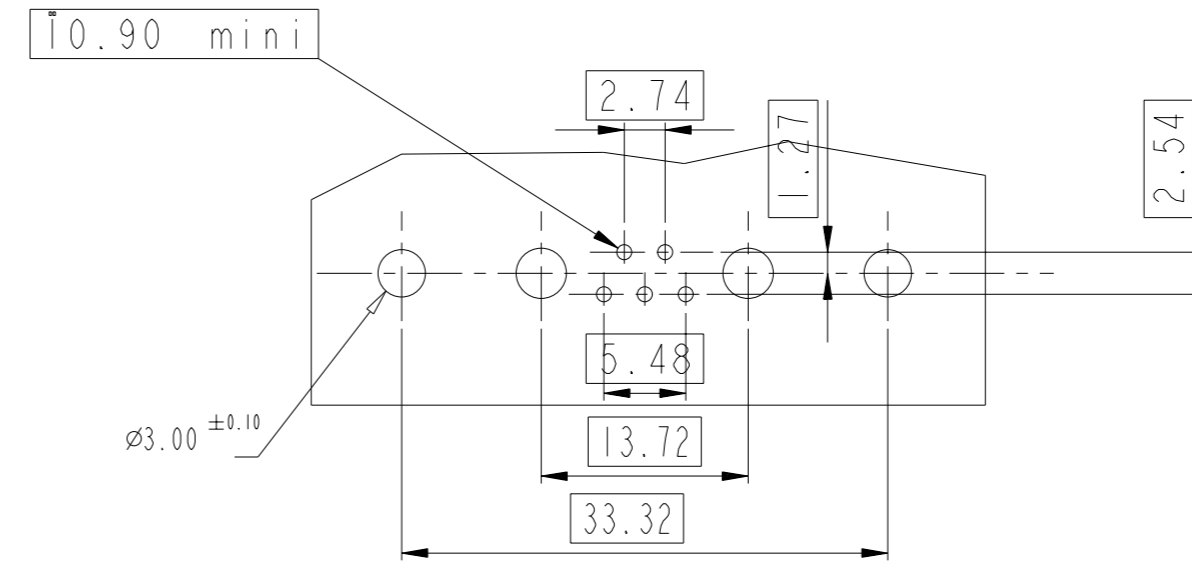
11W1

LAYOUT AND CONNECTOR DIMENSIONS

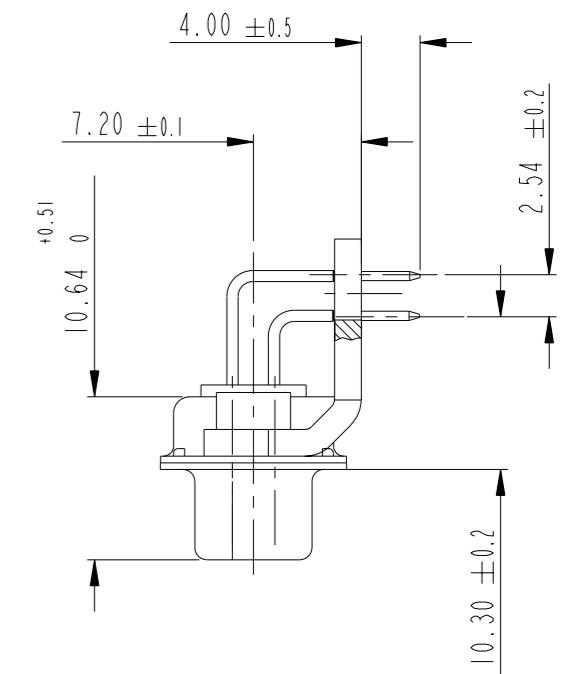


7W2

LAYOUT AND CONNECTOR DIMENSIONS



SIDE VIEW FOR ALL LAYOUTS
E-A-B-C

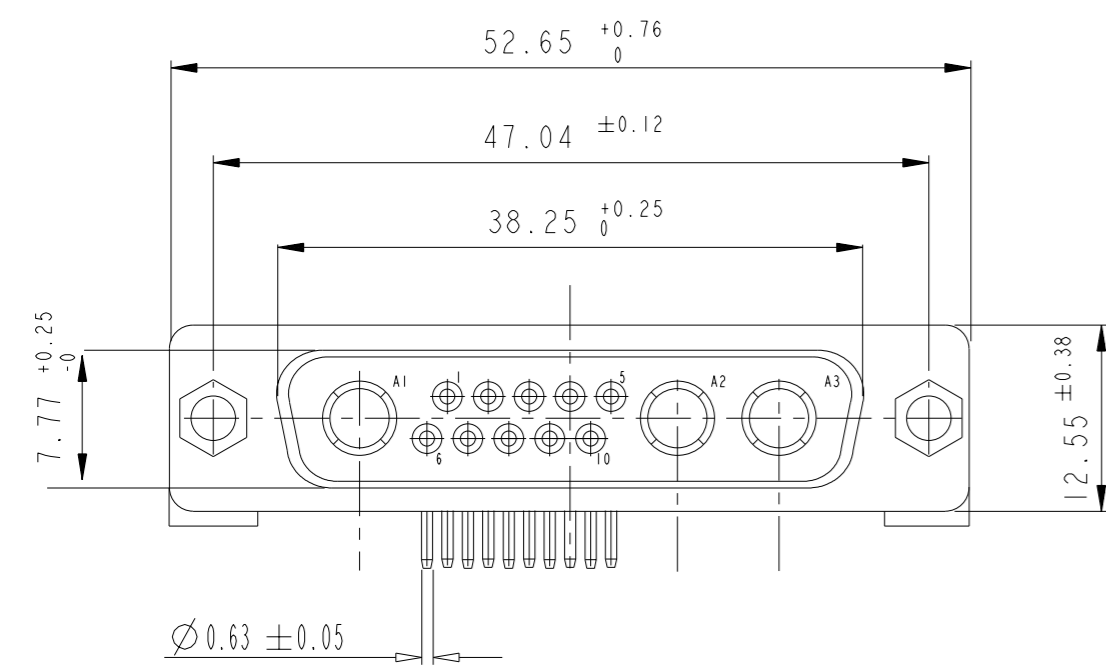
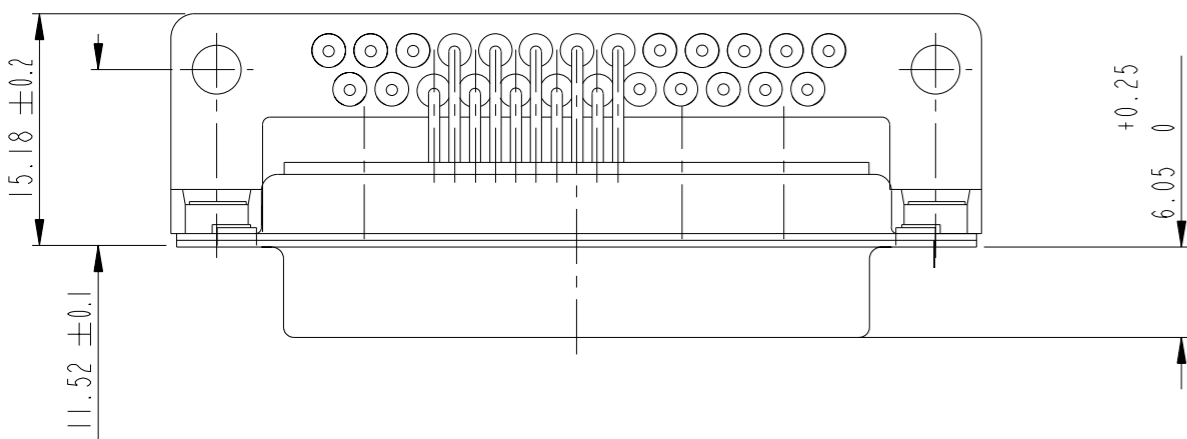
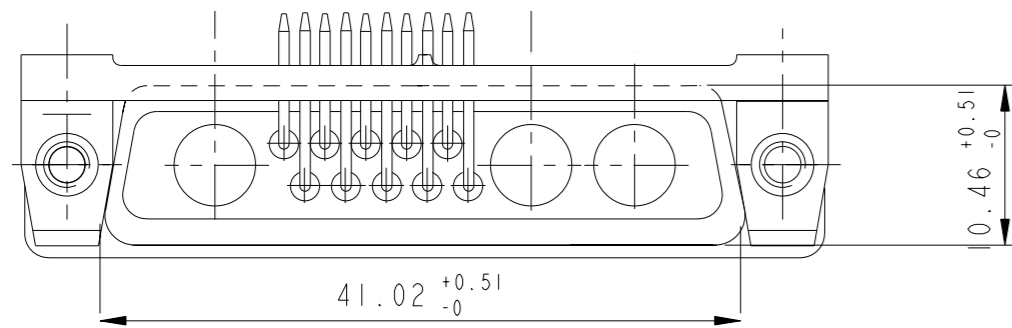
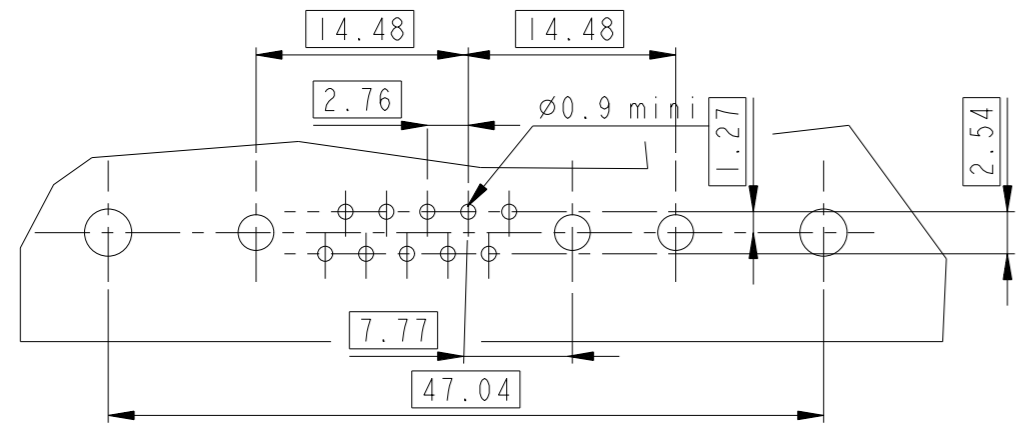


Copyright FCI. FCI

| | | | | |
|--------------------|-----------|--|-----------------------------------|--|
| www.fciconnect.com | | surface ISO 1302 | tolerance std ISO 406 ISO 1101 | projection mm |
| | | TOLERANCES UNLESS OTHERWISE SPECIFIED | | mm |
| Dr | M. PESSON | 2006/11/14 | ANGULAR | 0.x ±0.3 |
| Eng | M. PESSON | 2006/11/14 | LINEAR | 0.xx ±0.1 |
| Chr | P. LEGARE | 2006/11/14 | 0° ±2° | 0.xxx ±0.05 |
| Appr | P. LEGARE | 2006/11/14 | Product family | - Spec ref |
| | | TITLE SUB FEMALE DMW EUROPE foot print mixed power right angled solder | | dwg no C01-8637-1749 Rev. A |
| catalog no | | CUSTOMER | | sheet 4 of 9 |

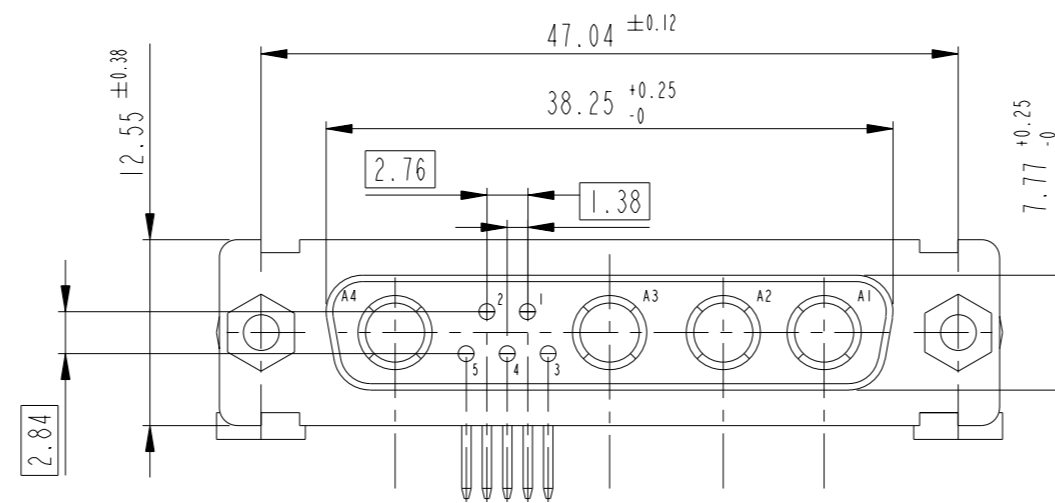
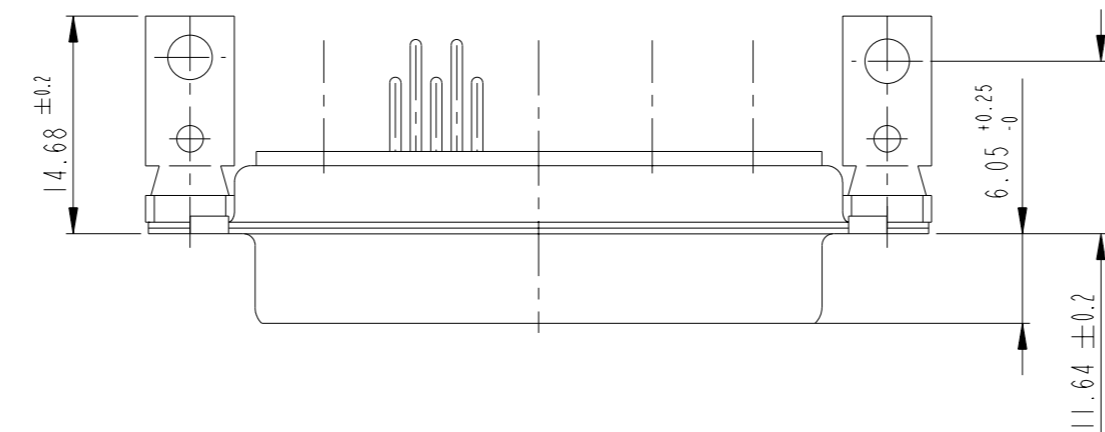
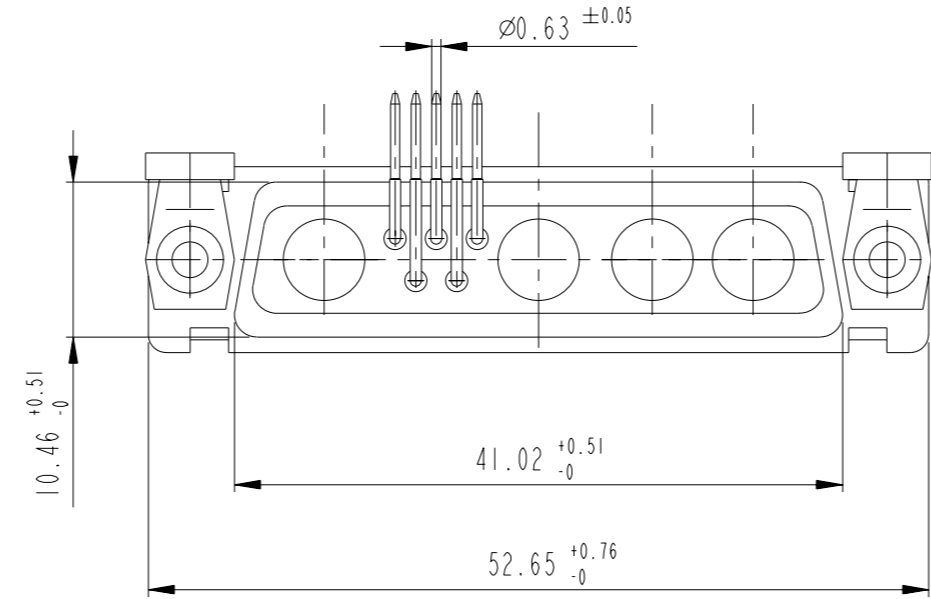
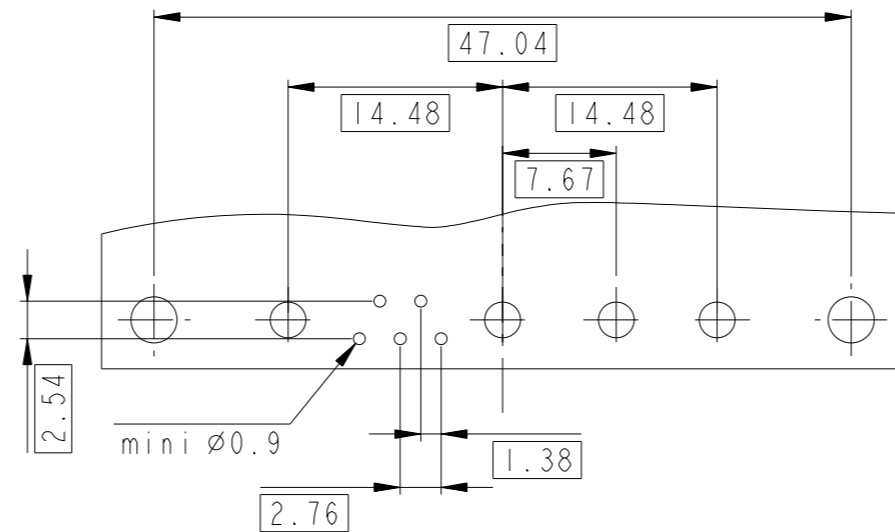
13W3

LAYOUT AND CONNECTOR DIMENSIONS



9W4

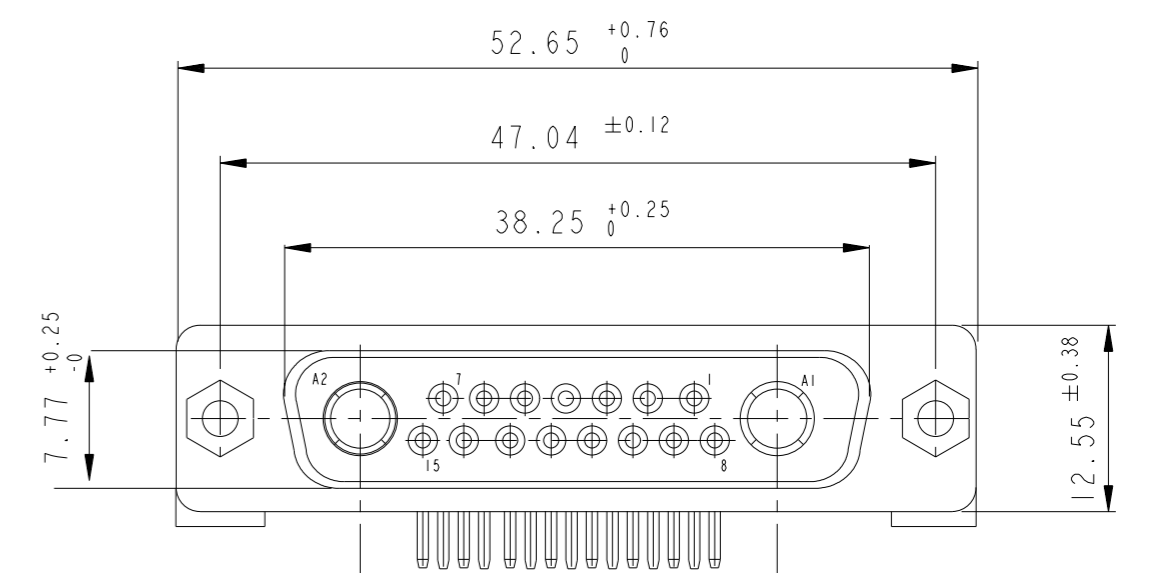
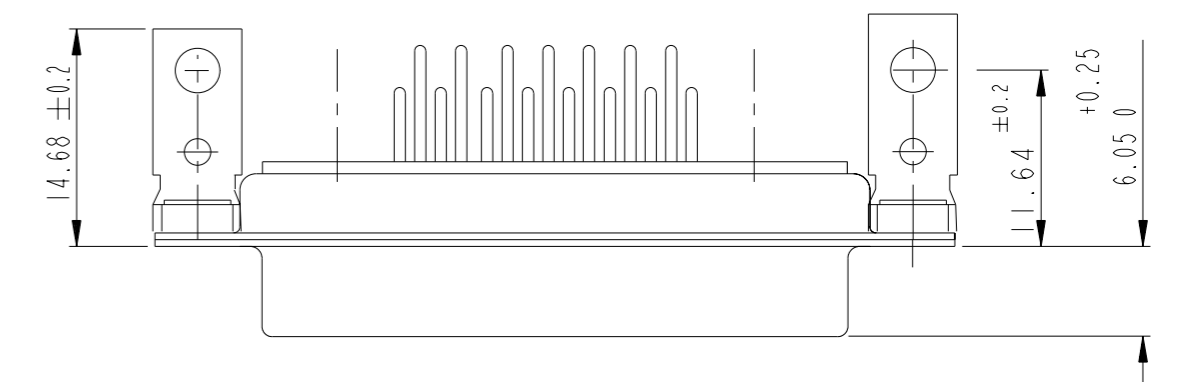
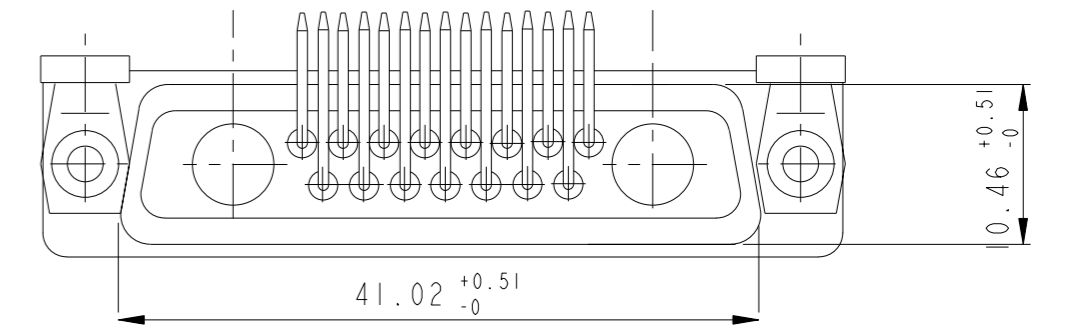
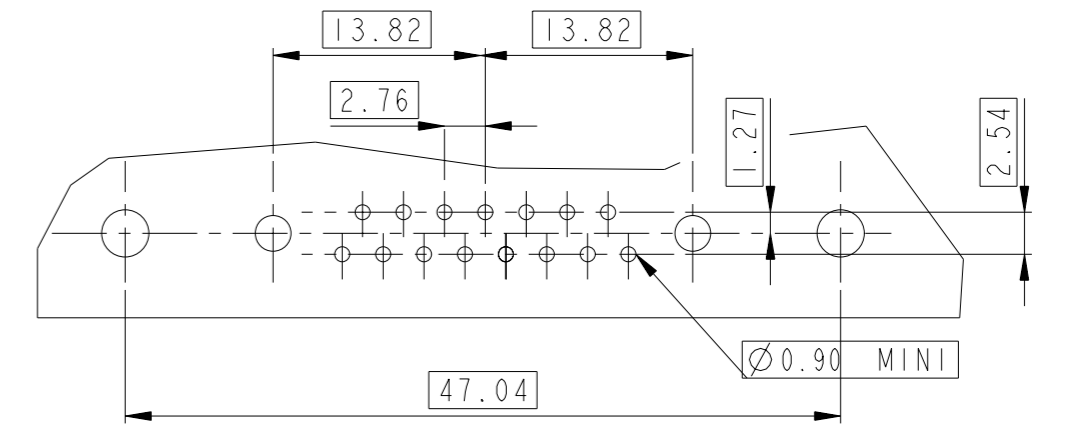
LAYOUT AND CONNECTOR DIMENSIONS



Floating signal contacts

17W2

LAYOUT AND CONNECTOR DIMENSIONS



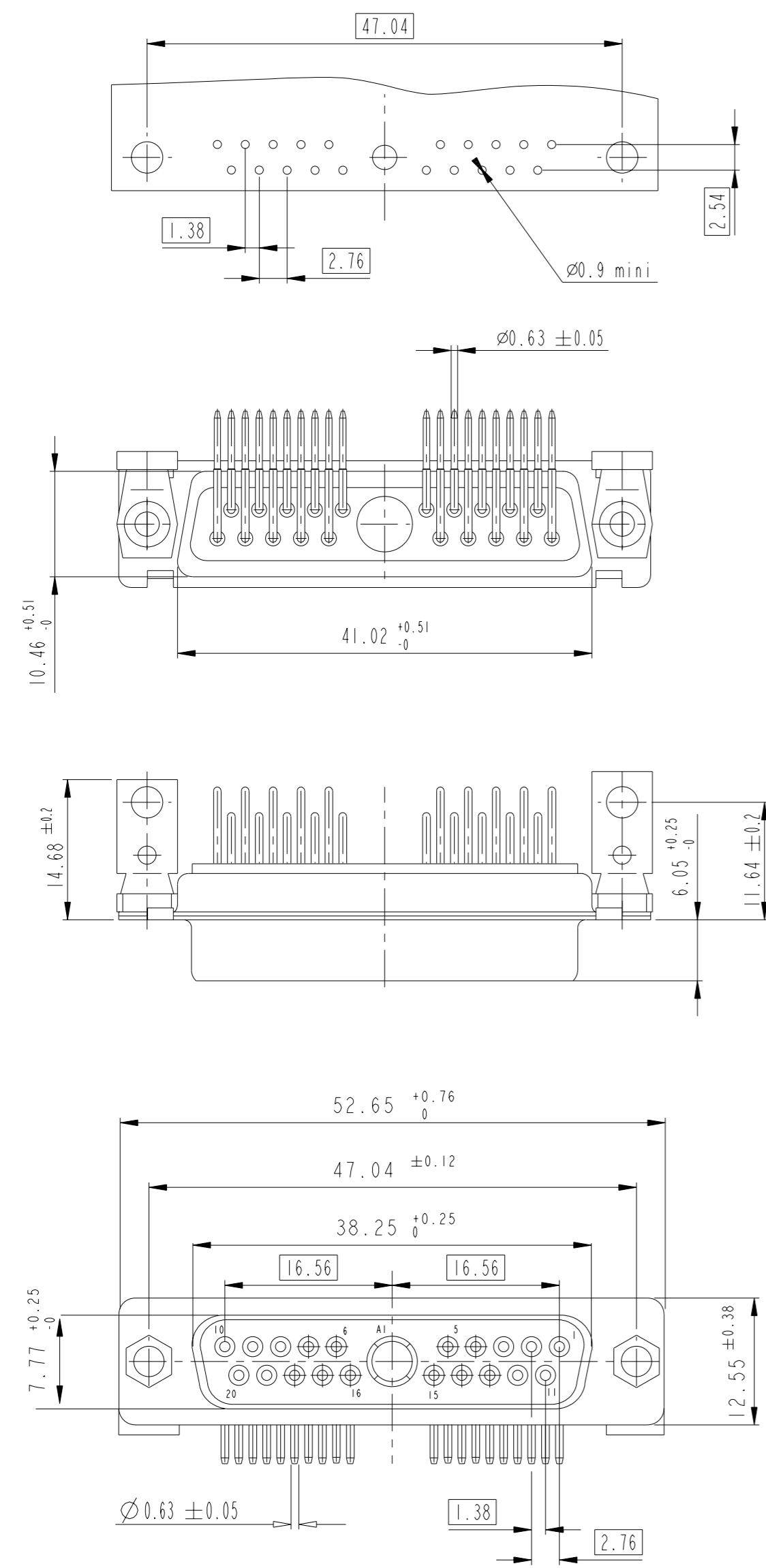
Copyright FCi.



| | | | | |
|----------------------------------|----------|---------------------------------------|-----------------------------------|------------------|
| www.fciconnect.com | | surface ISO 1302 | tolerance std ISO 406 ISO 1101 | projection mm |
| | | TOLERANCES UNLESS OTHERWISE SPECIFIED | | mm |
| Dr | M.PESSON | 2006/11/14 | ANGULAR | 0.x ±0.3 |
| Eng | M.PESSON | 2006/11/14 | LINEAR | 0.xx ±0.1 |
| Chr | P.LEGARE | 2006/11/14 | 0° ±2° | 0.xxx ±0.05 |
| Appr | P.LEGARE | 2006/11/14 | Product family | - Spec ref |
| SUB FEMALE DMW EUROPE foot print | | C01-8637-1749 | | Rev. A |
| mixed power right angled solder | | CUSTOMER | | sheet 5 of 9 |

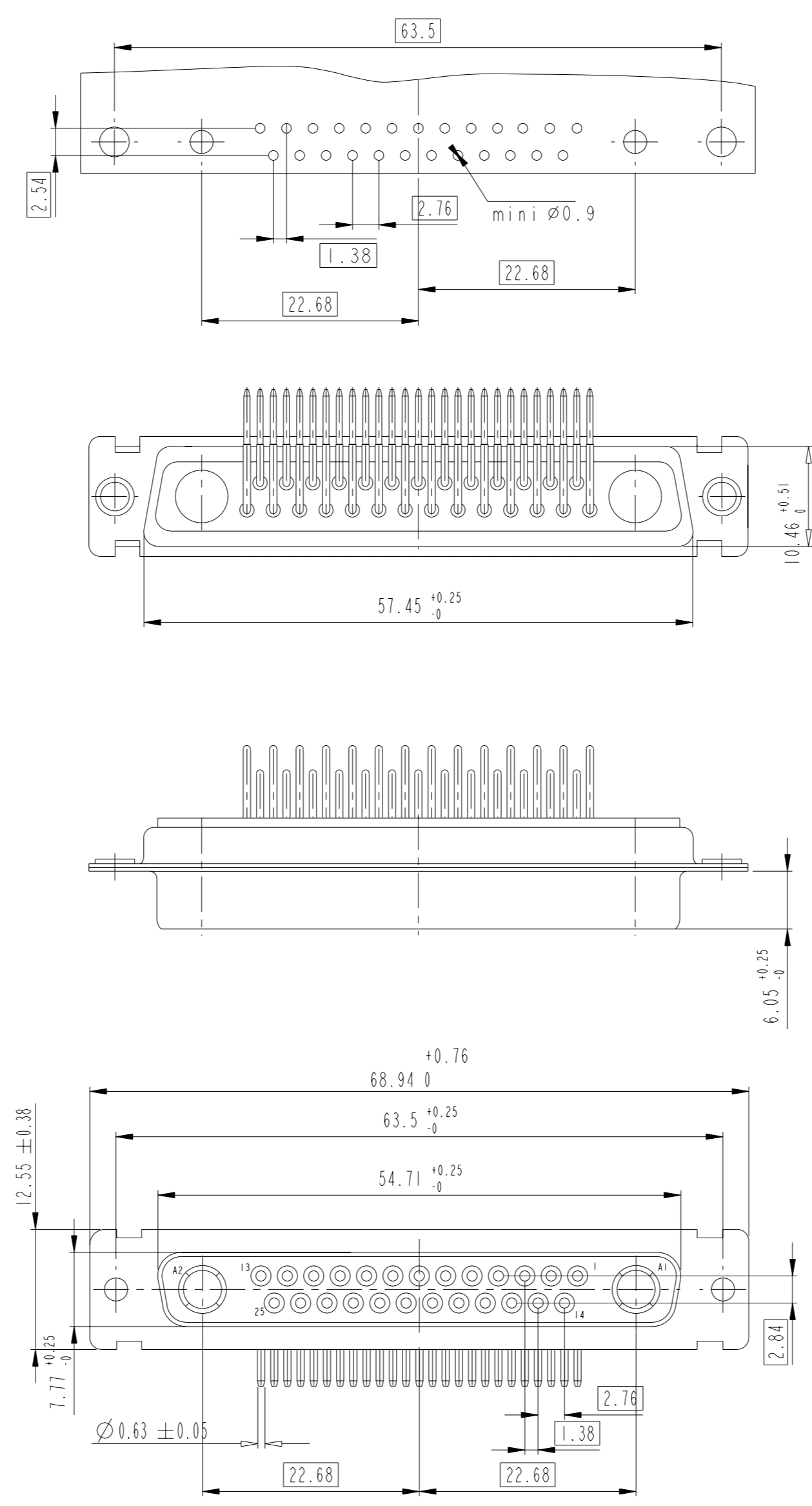
21W1

LAYOUT AND CONNECTOR DIMENSIONS



27W2

LAYOUT AND CONNECTOR DIMENSIONS



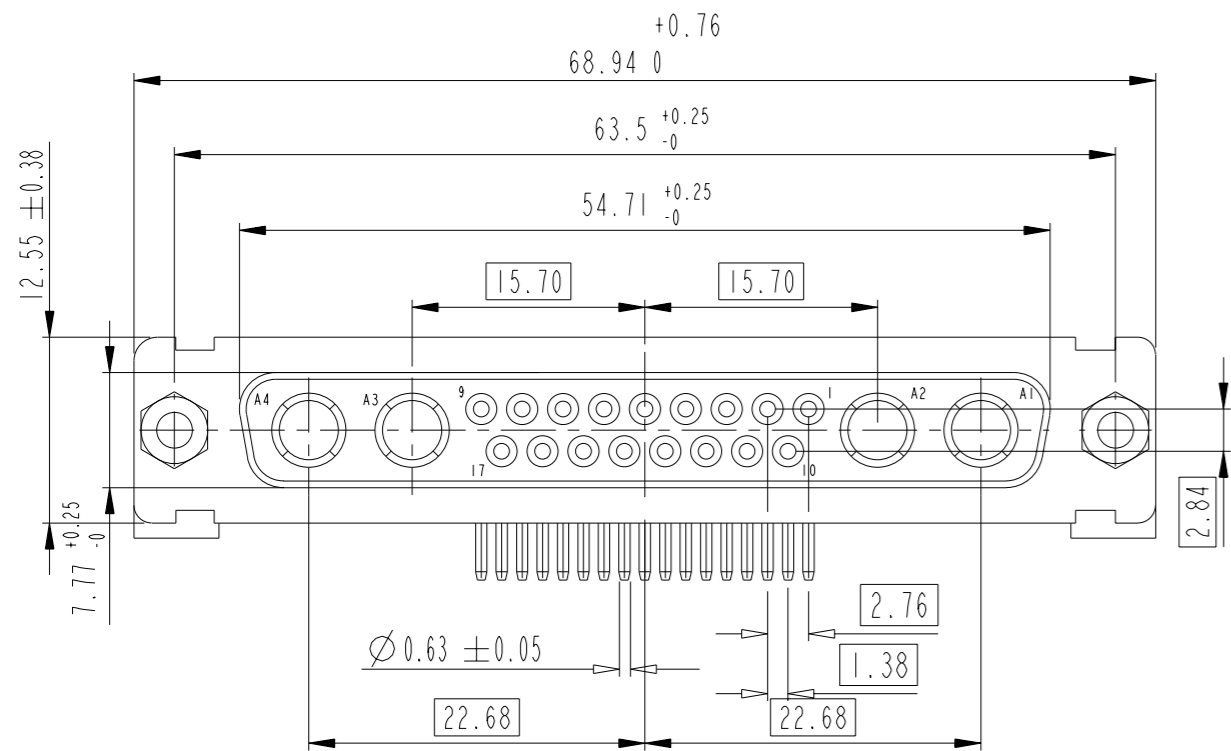
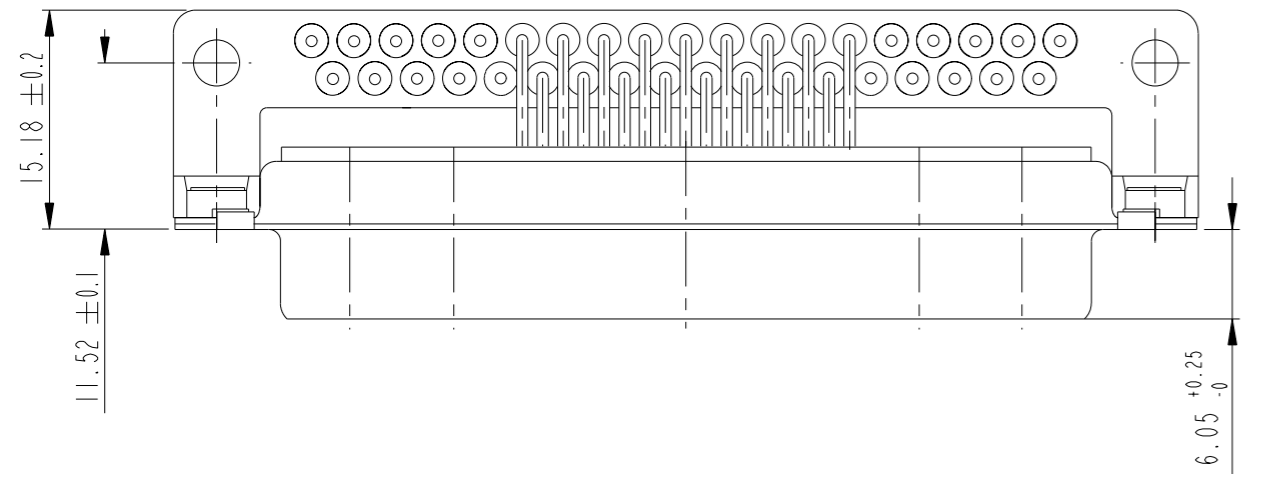
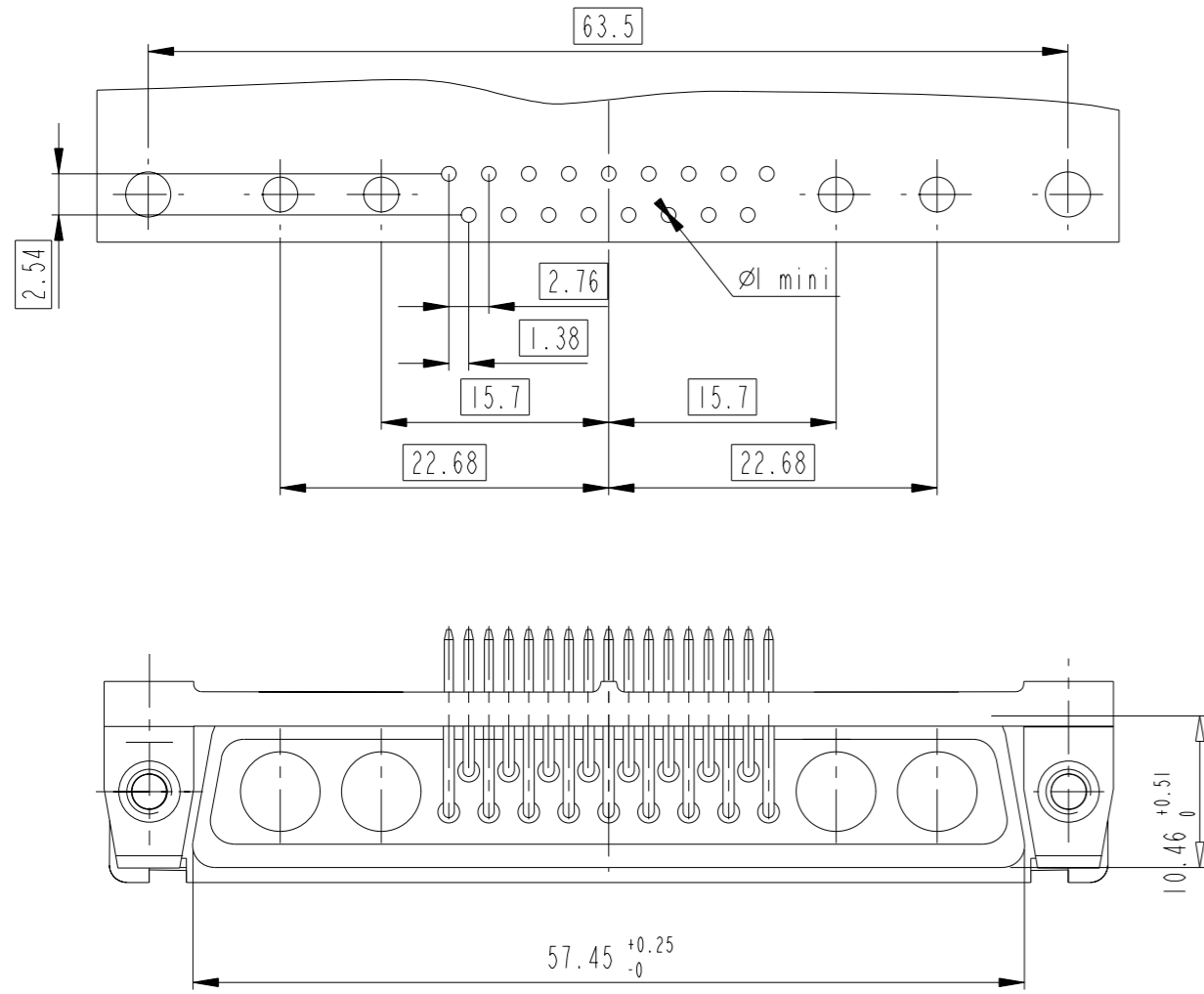
Copyright FCi

FCi

| | | | | |
|--------------------|----------|---|-----------------------------------|--------------------------------|
| www.fciconnect.com | | surface - ISO 1302 | tolerance std ISO 406 ISO 1101 | projection mm |
| | | TOLERANCES UNLESS OTHERWISE SPECIFIED | | mm |
| Dr | M.PESSON | 2006/11/14 | ANGULAR | size A2 |
| Eng | M.PESSON | 2006/11/14 | LINEAR | Scale 2:1 |
| Chr | P.LEGARE | 2006/11/14 | 0° ± 2° | ECN LS06-0174 |
| Appr | P.LEGARE | 2006/11/14 | Product family | - Spec ref |
| | | title SUB FEMALE DMW EUROPE foot print mixed power right angled solder catalog no - | | dwg no C01-8637-1749 Rev. A |
| | | | CUSTOMER | sheet 6 of 9 |

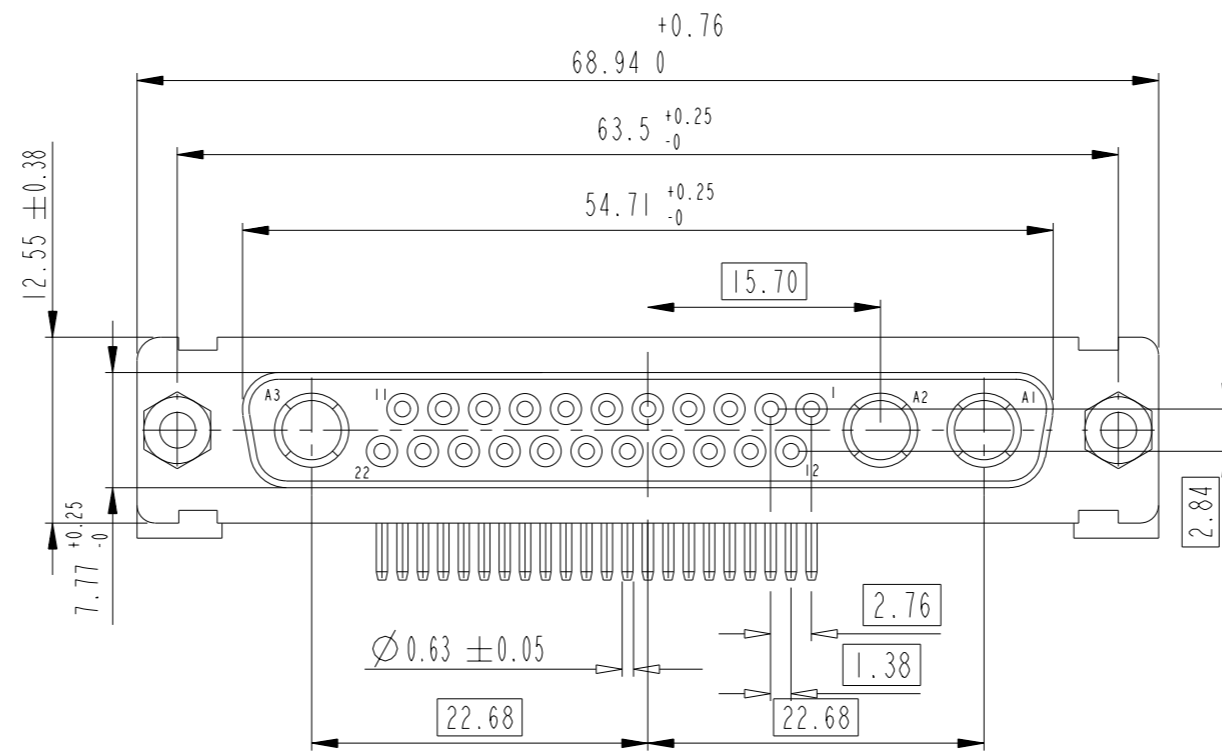
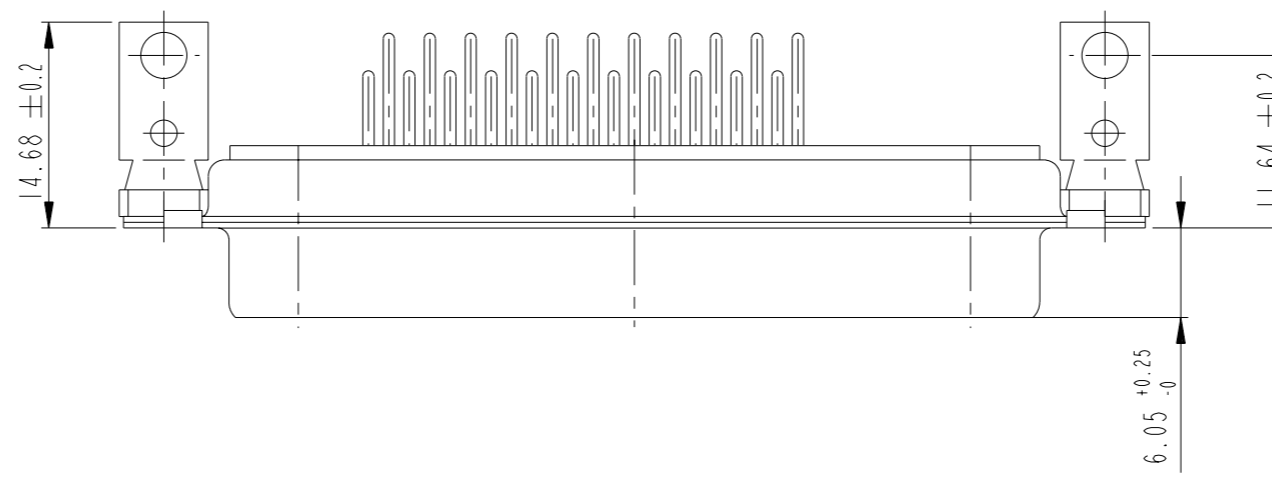
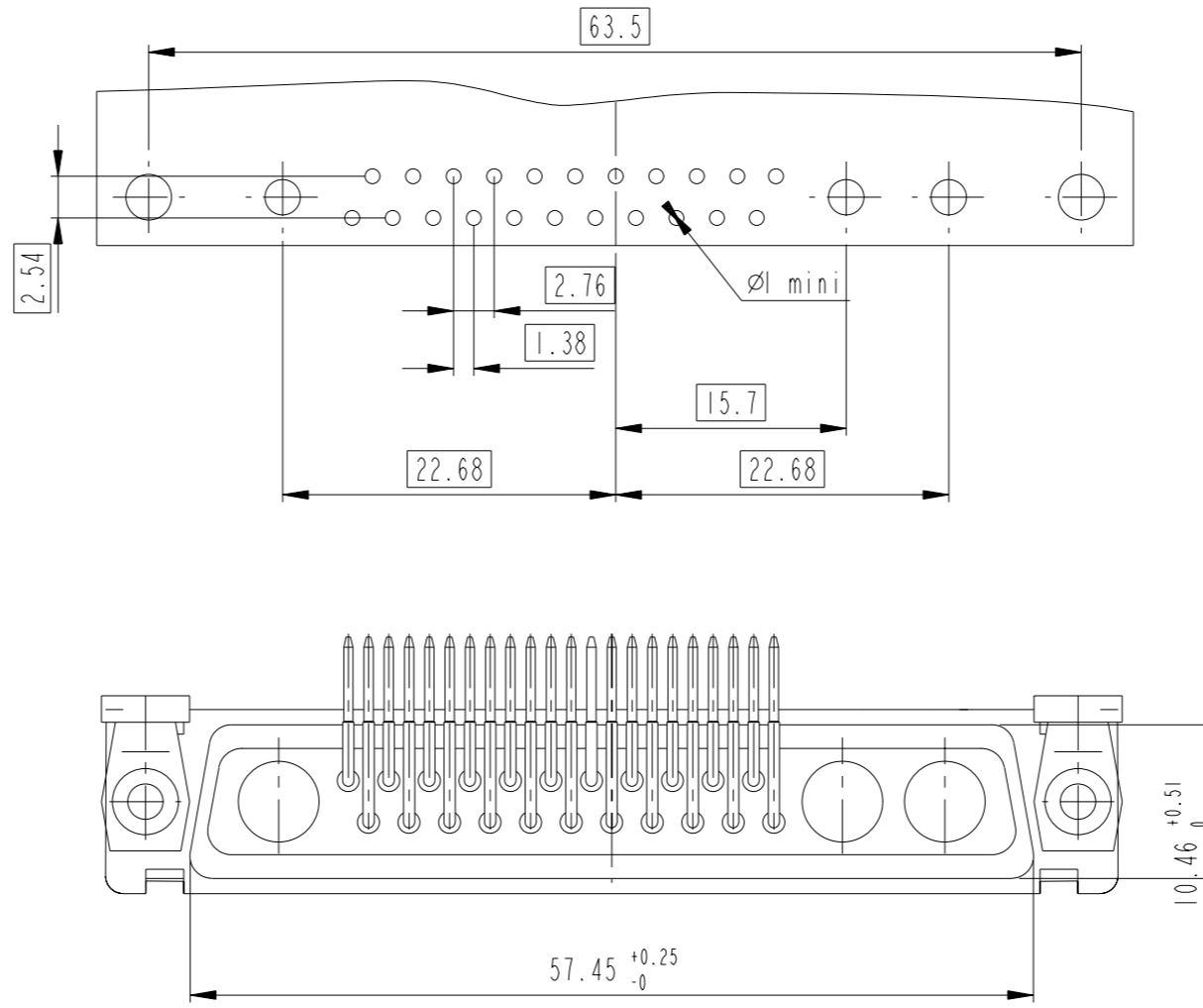
21WA4

LAYOUT AND CONNECTOR DIMENSIONS



25W3

LAYOUT AND CONNECTOR DIMENSIONS

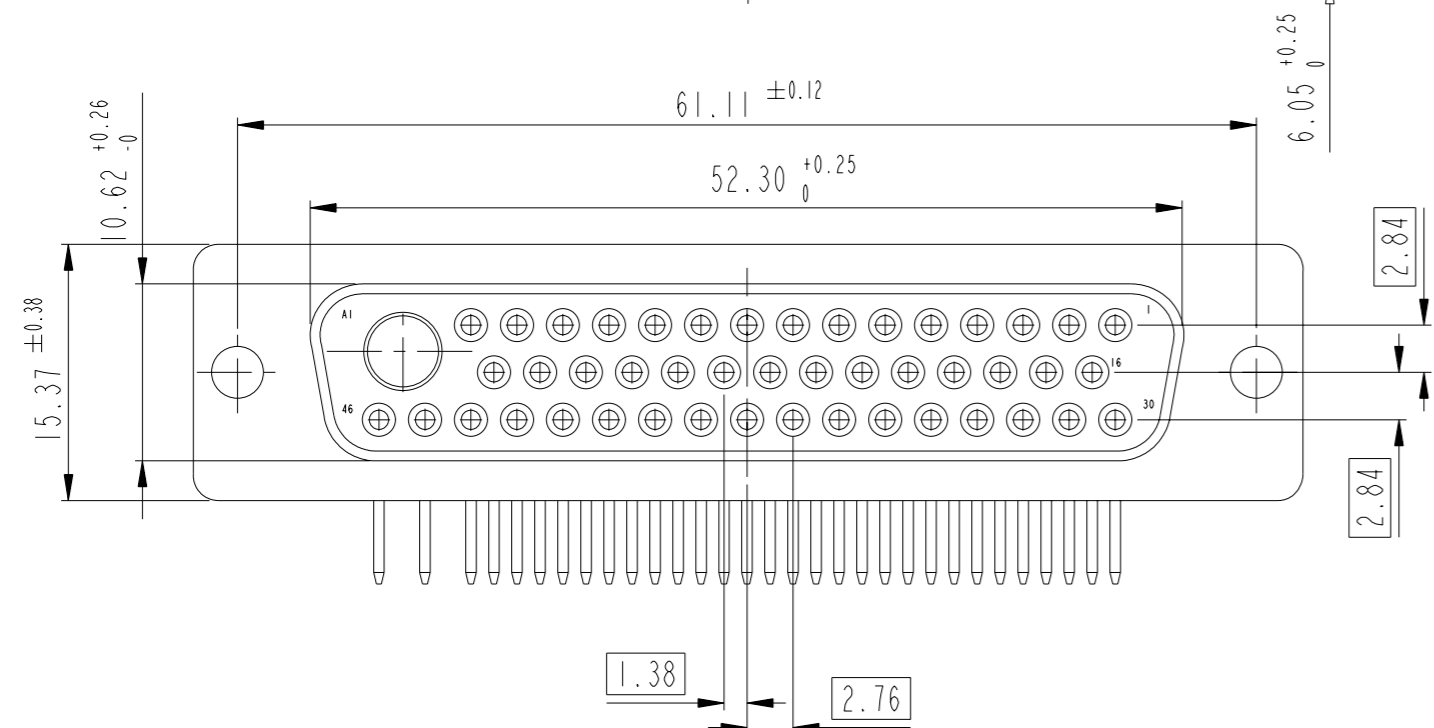
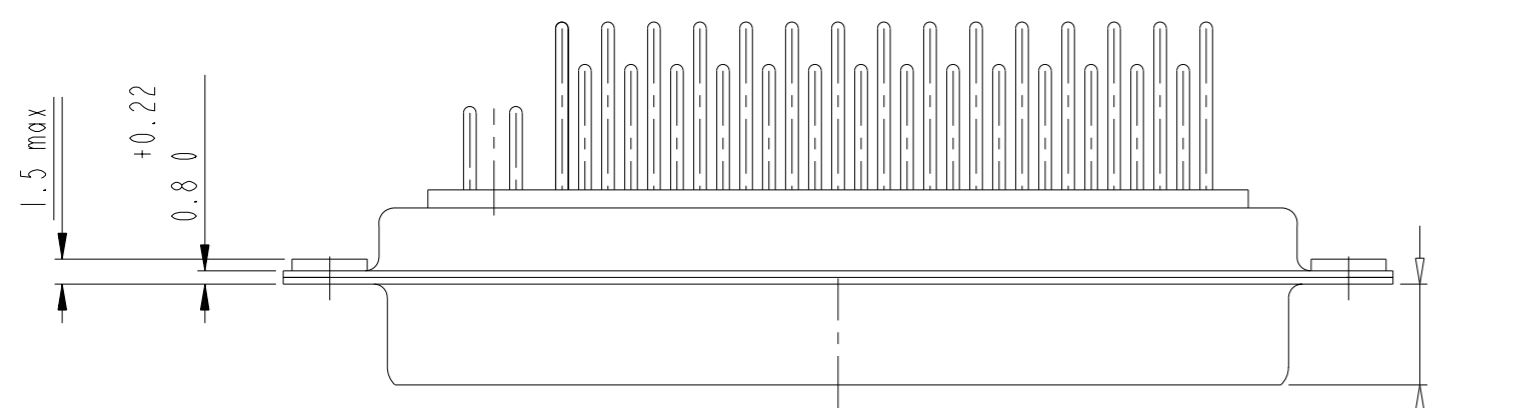
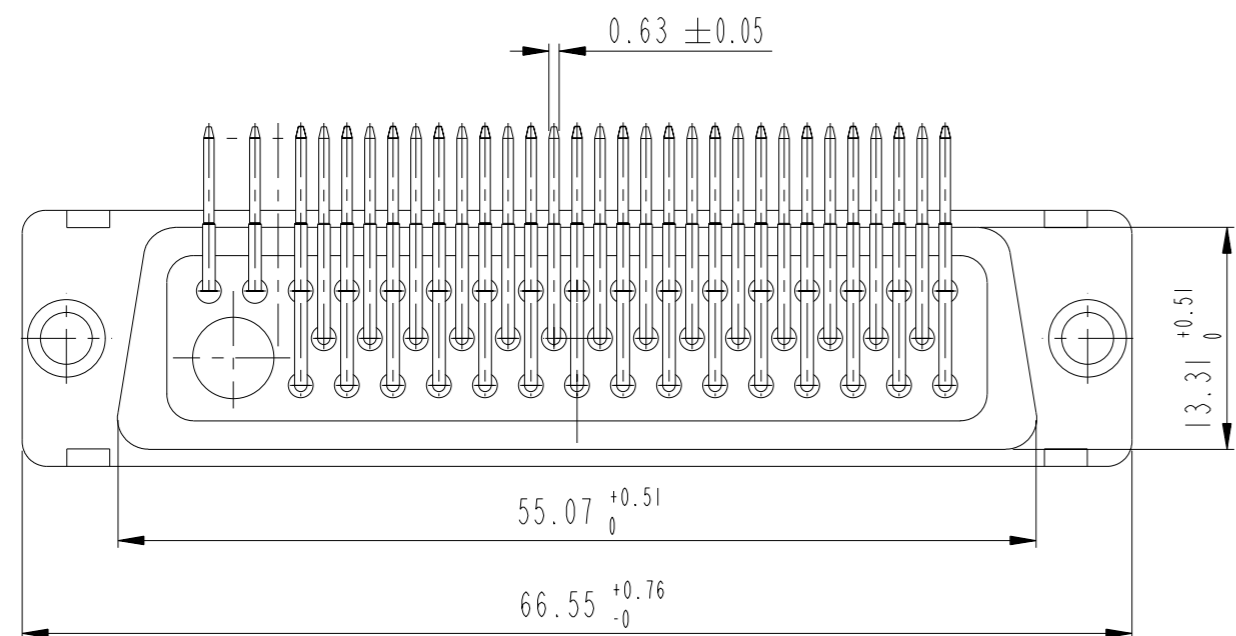
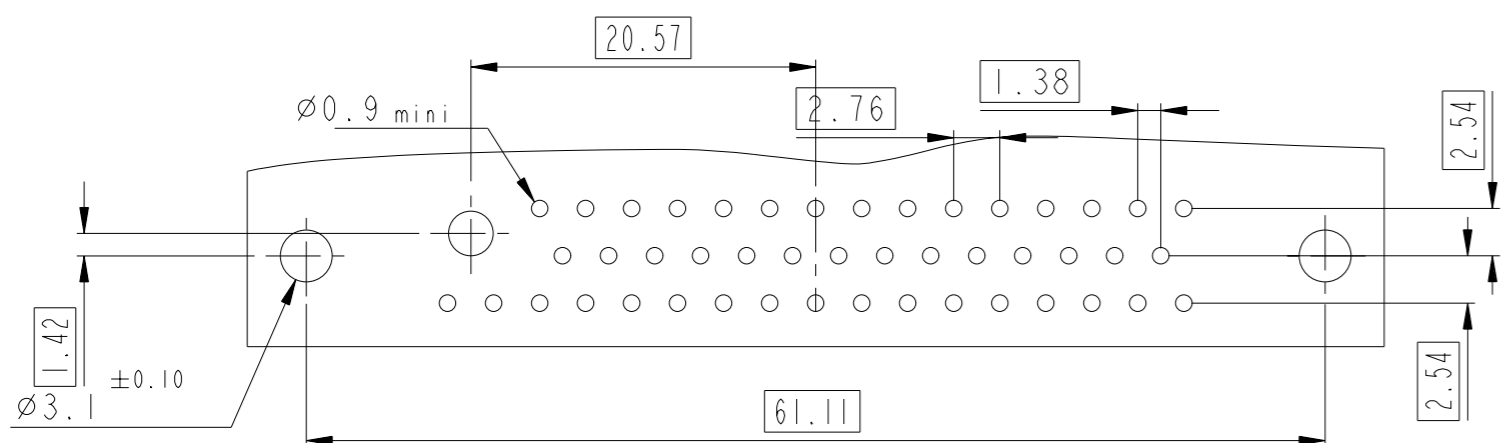


Copyright FCi. FCi

| | | | | | |
|--|-----------|---------------------------------------|--------------------------------|--|-------------------------------|
| www.fciconnect.com | | surface ISO 1302 | tolerance std ISO 406 ISO 1101 | projection | mm |
| | | TOLERANCES UNLESS OTHERWISE SPECIFIED | | ⊕ | ↔ |
| Dr | M. PESSON | 2006/11/14 | ANGULAR | 0.X ±0.3 | size A2 |
| Eng | M. PESSON | 2006/11/14 | LINEAR | 0.XX ±0.1 | Scale 2:1 |
| Chr | P. LEGARE | 2006/11/14 | 0° ±2° | 0.XXX ±0.05 | ECN LS06-0174 |
| Appr | P. LEGARE | 2006/11/14 | Product family | - | Spec ref |
| TITLE SUB FEMALE DMW EUROPE foot print mixed power right angled solder catalog no - | | | | dwg no C01-8637-1749 Rev. A | Rev. A sheet 7 of 9 |

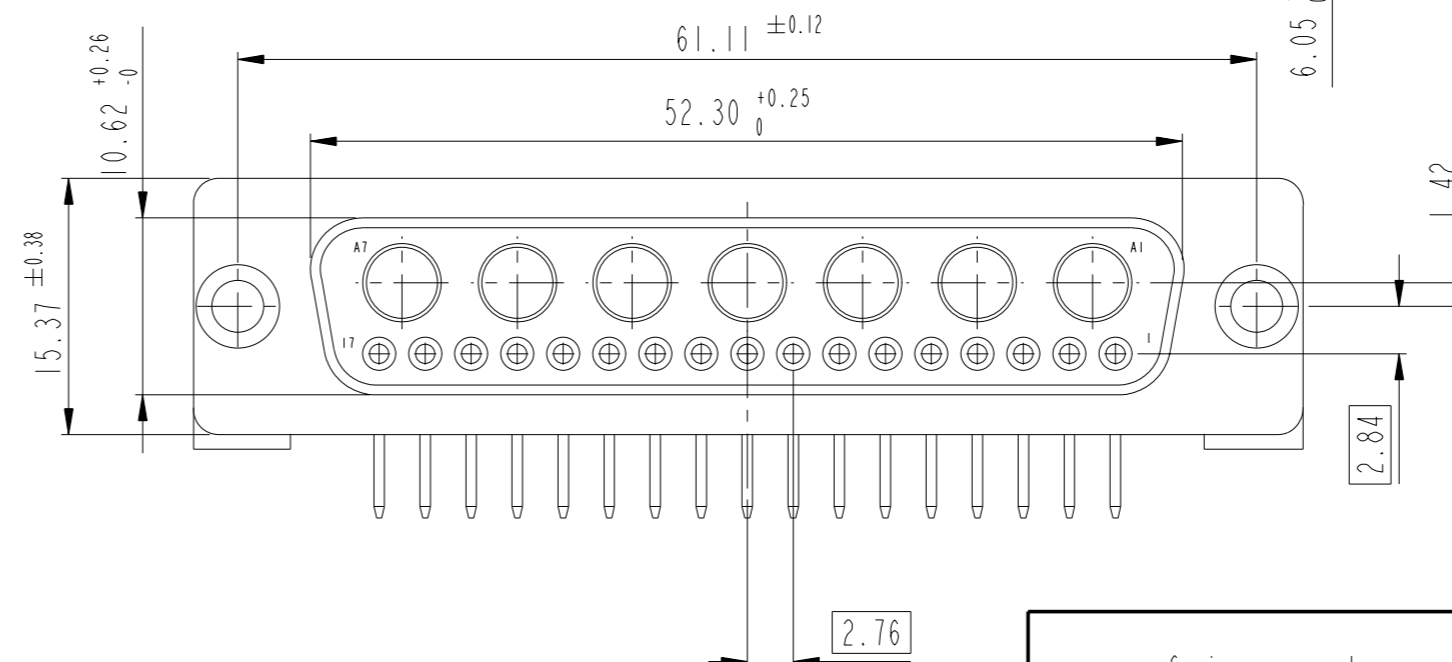
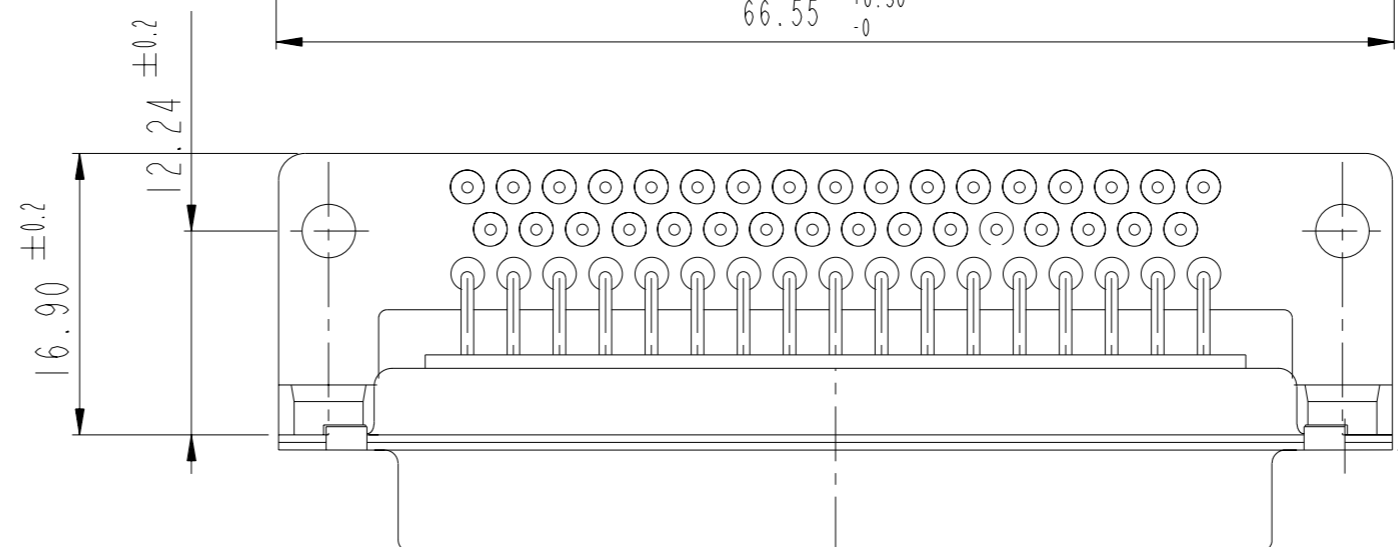
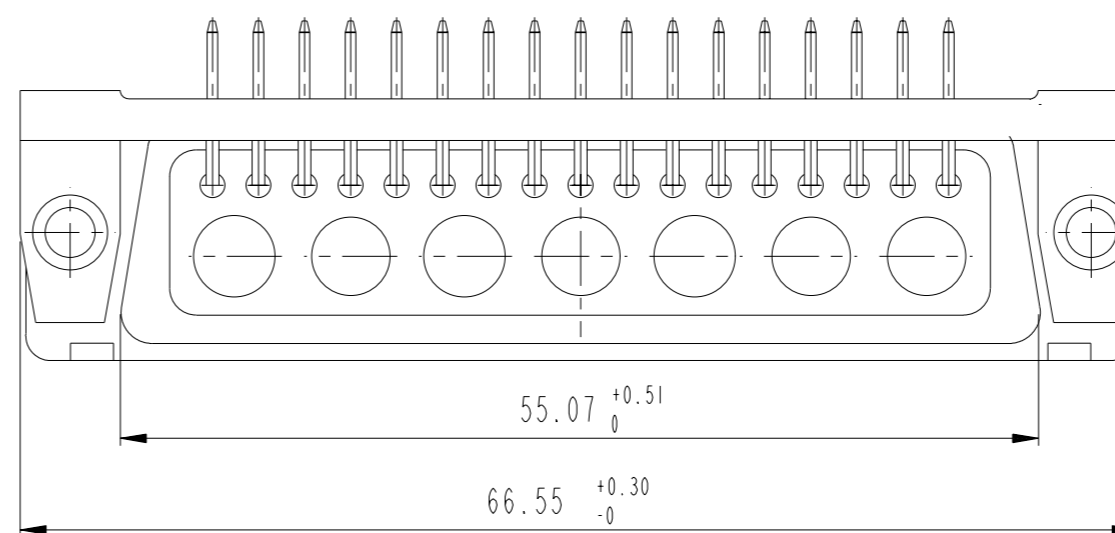
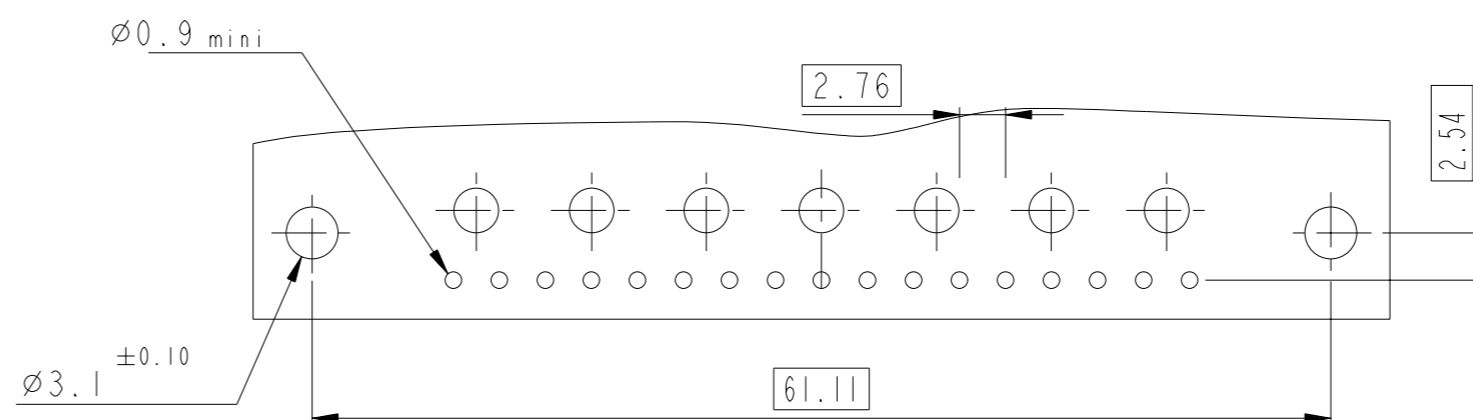
47W1

LAYOUT AND CONNECTOR DIMENSIONS



24W7

LAYOUT AND CONNECTOR DIMENSIONS



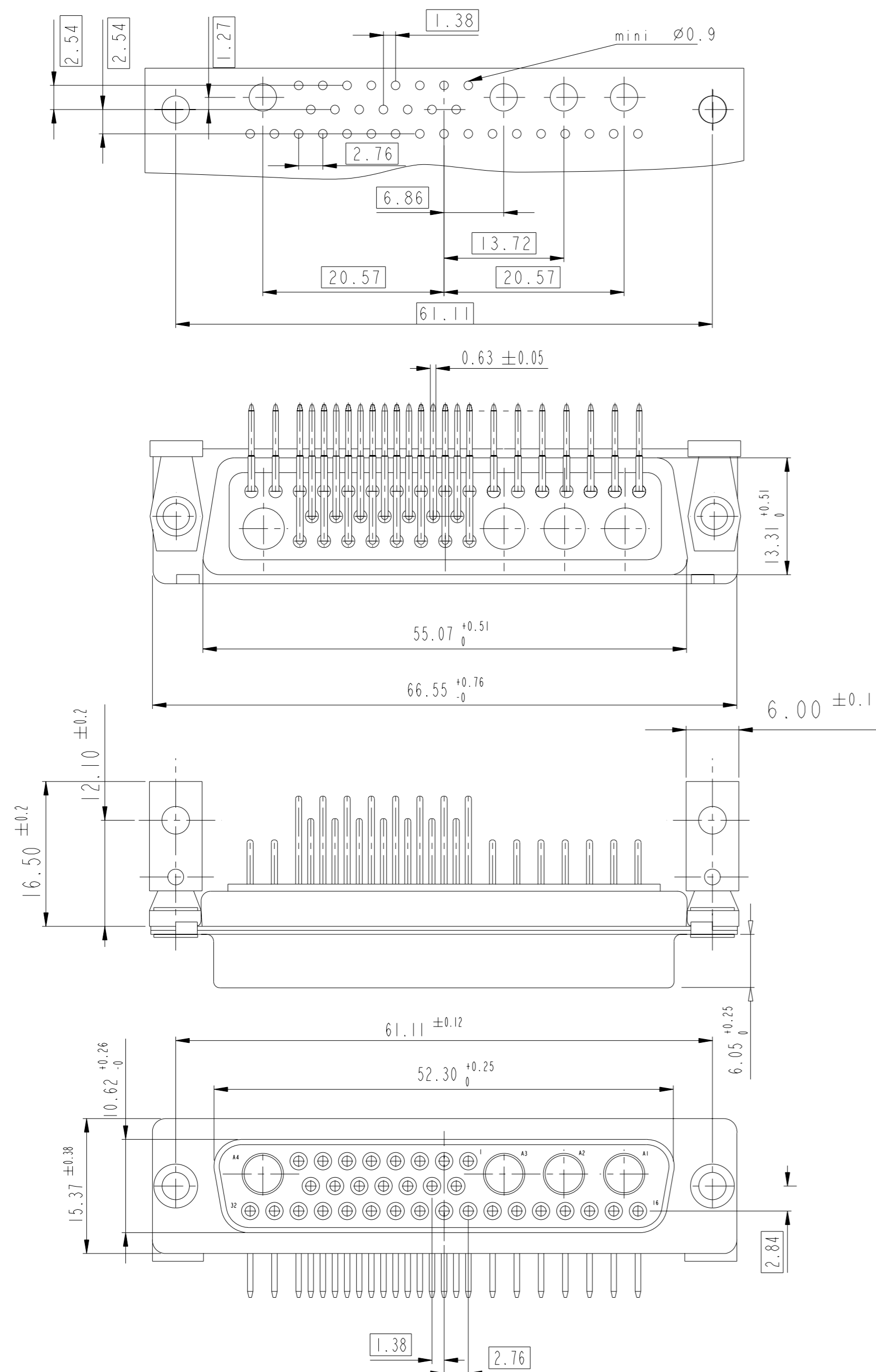
Copyright FCi



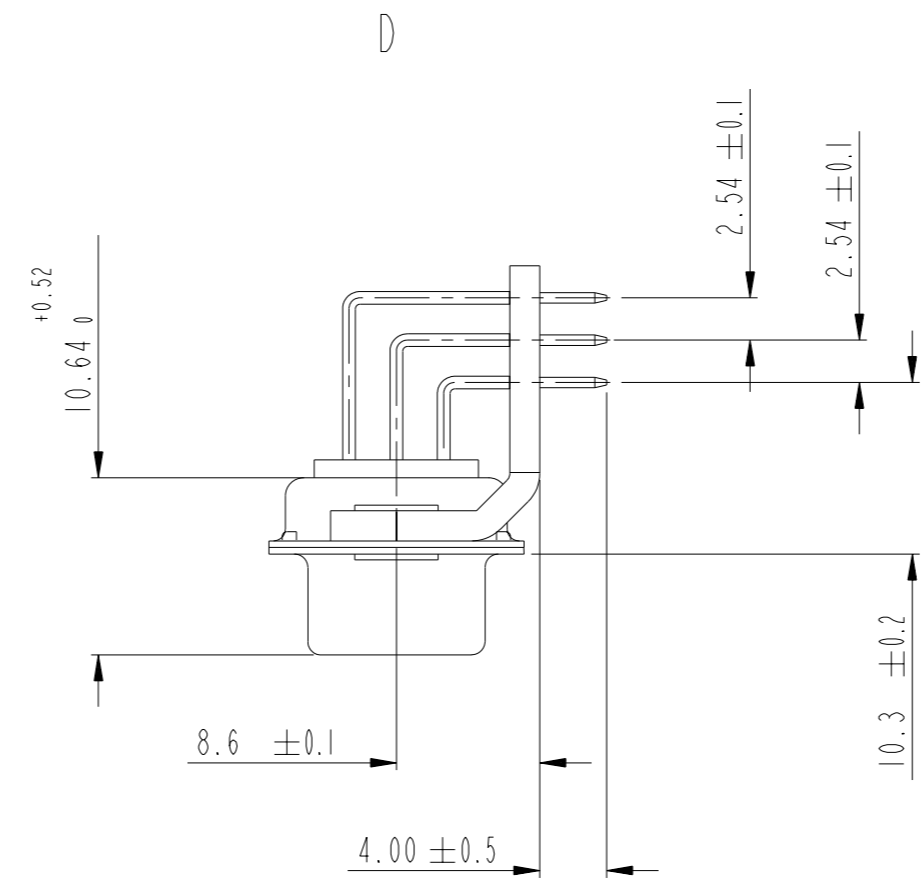
| | | | | |
|--------------------|-----------|---|-----------------------------------|--------------------------------|
| www.fciconnect.com | | surface ISO 1302 | tolerance std ISO 406 ISO 1101 | projection mm |
| | | TOLERANCES UNLESS OTHERWISE SPECIFIED | | mm |
| Dr | M. PESSON | 2006/11/14 | ANGULAR | size A2 |
| Eng | M. PESSON | 2006/11/14 | LINEAR | Scale 2:1 |
| Chr | P. LEGARE | 2006/11/14 | 0° ±2° | ECN LS06-0174 |
| Appr | P. LEGARE | 2006/11/14 | Product family | - Spec ref |
| | | title SUB FEMALE DMW EUROPE foot print mixed power right angled solder catalog no - | | dwg no C01-8637-1749 Rev. A |
| | | | CUSTOMER | sheet 8 of 9 |

36W4

LAYOUT AND CONNECTOR DIMENSIONS



SIDE VIEW FOR ALL LAYOUTS



Copyright FCi. FCi

| | | | | | | | |
|---------------------------------------|-----------|------------|----------------------------------|-----------------------------------|------------------|-------|------|
| www.fciconnect.com | | | surface ISO 1302 | tolerance std ISO 406 ISO 1101 | projection mm | mm | |
| TOLERANCES UNLESS OTHERWISE SPECIFIED | | | ANGULAR | | size | Scale | |
| Dr | M. PESSON | 2006/11/14 | 0.X | ±0.3 | A2 | 2:1 | |
| Eng | M. PESSON | 2006/11/14 | 0.XX | ±0.1 | ECN LS06-0174 | | |
| Chr | P. LEGARE | 2006/11/14 | 0.XXX | ±0.05 | - Spec ref | | |
| Appr | P. LEGARE | 2006/11/14 | Product family | | - | | |
| Title | | | SUB FEMALE DMW EUROPE foot print | | dwg no | | Rev. |
| mixed power right angled solder | | | C01-8637-1749 | | CUSTOMER | | A |
| catalog no | | | - | | sheet 9 of 9 | | |