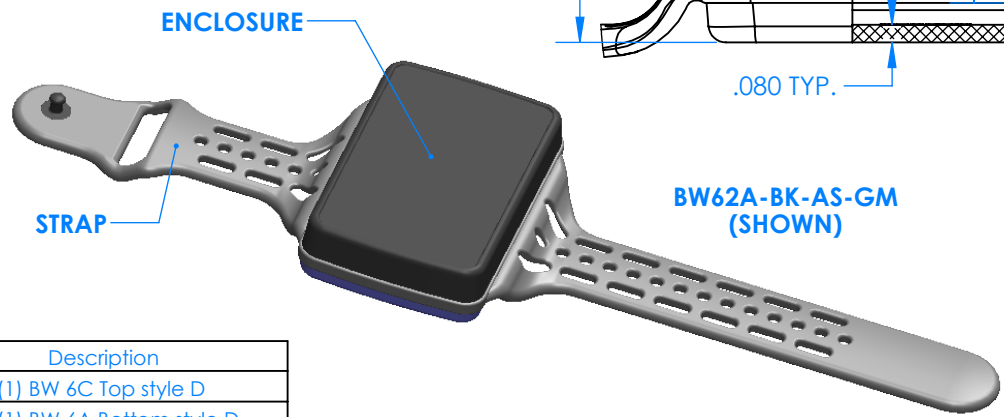
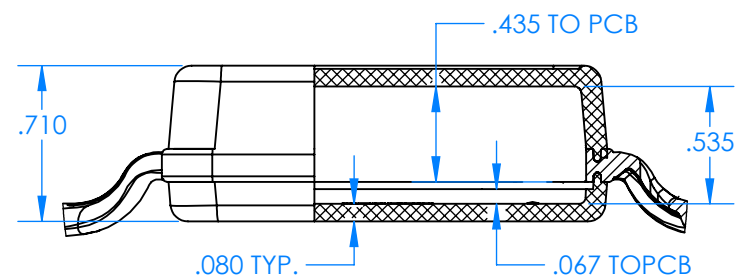
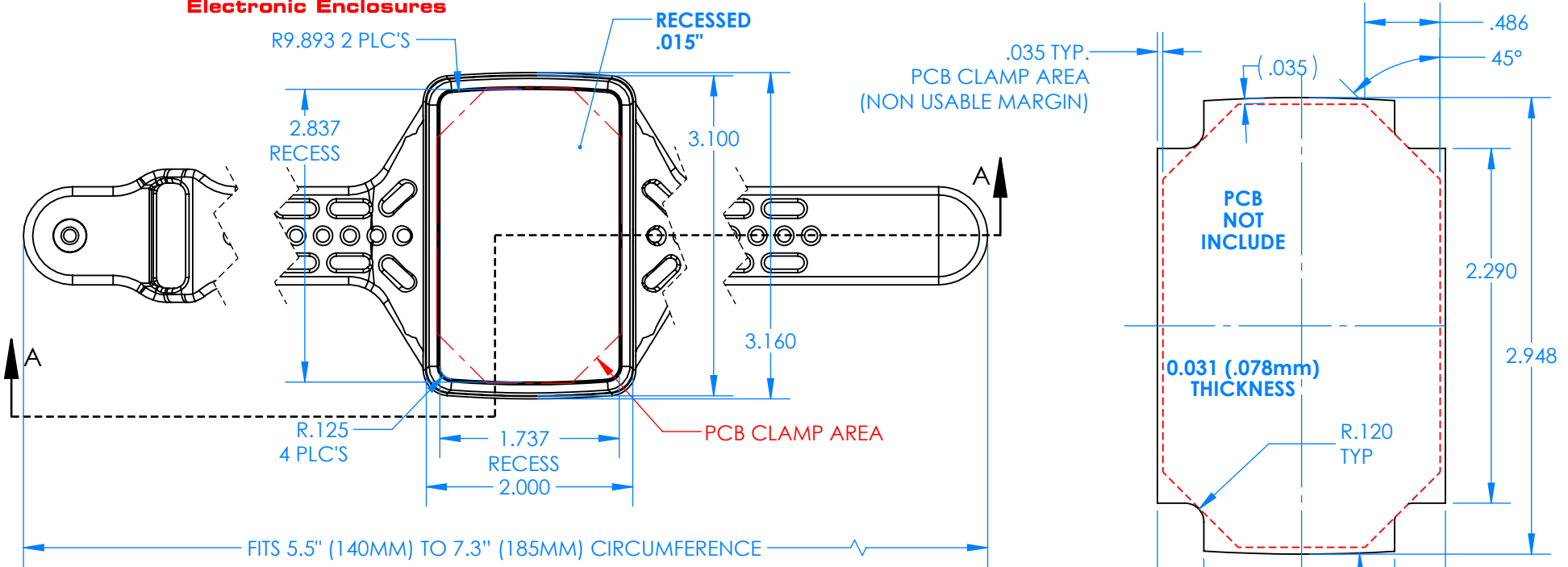


# SERPAC BW62D-YY-CS-ZZ

Electronic Enclosures



**Enclosure color (YY)**  
**Top-Bottom combinations available**  
 BK=black  
 CL=clear  
 TRGY=translucent gray  
 TRRD=translucent red

**Strap color (ZZ)**  
 BK=black  
 BL=blue  
 GM=gunmetal  
 NG=neon green  
 NO=neon orange  
 OR=orange  
 YL=yellow  
 WH=white

PN	Description
5535D	(1) BW 6C Top style D
5532D	(1) BW 6A Bottom style D
5538C	(1) BW 6C Small Strap style D
6057	(4) #2 X 3/8" SS PH HD screw TORQUE 35-60 in-oz.

**Watertight enclosure meets or exceeds:**  
**IP67**  
**NEMA 4**

4/17/2025  
 2009 Wright Ave. La Verne, CA 91750  
 Ph. (626) 331-0517 Fx. (626) 331-8584 serpac.com