

1-215309-0 ✓ ACTIVE

AMPMODU | AMPMODU HV-100/HV-190

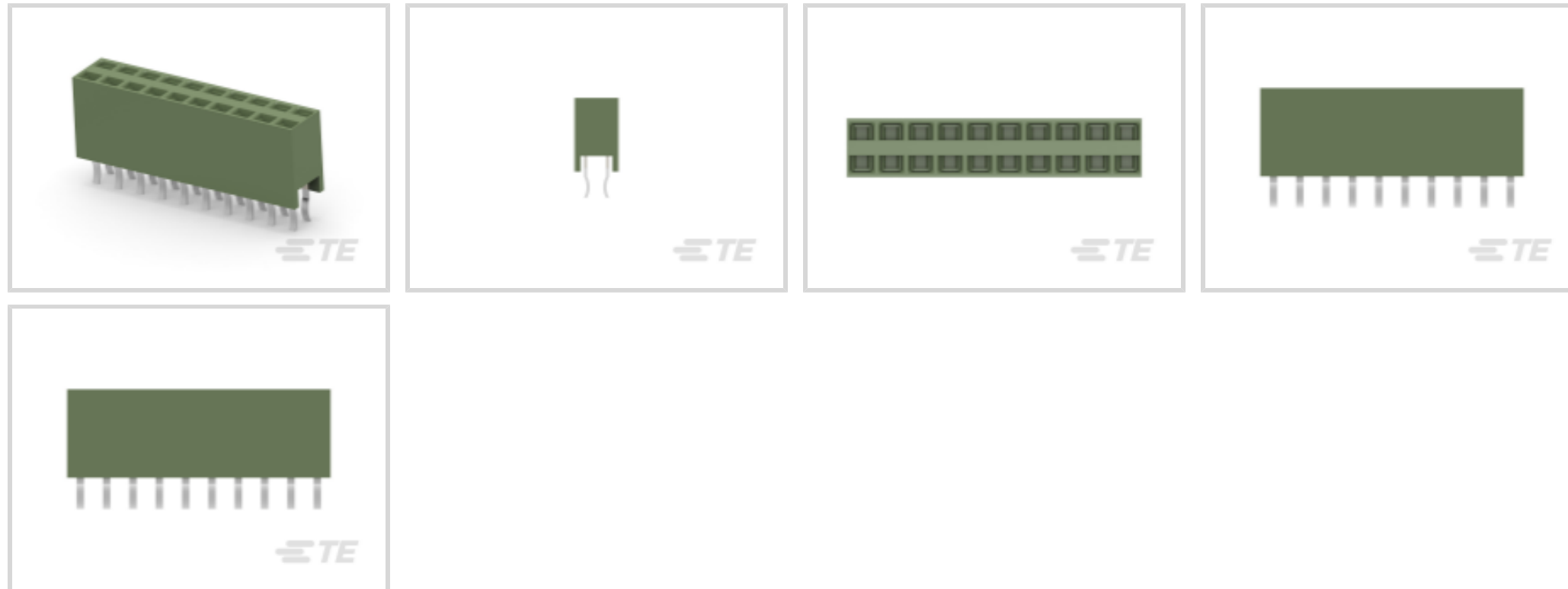
TE Internal #: 1-215309-0

PCB Mount Receptacle, Vertical, Board-to-Board, 10 Position, 2.54 mm [.1 in] Centerline, Gold Flash over Palladium Nickel, AMPMODU HV-100/HV-190

[View on TE.com >](#)



Connectors > PCB Connectors > PCB Headers & Receptacles



PCB Connector Type: **PCB Mount Receptacle**

Connector System: **Board-to-Board**

Number of Positions: **10**

Number of Rows: **2**

Centerline (Pitch): **2.54 mm [.1 in]**

## Features

### Product Type Features

PCB Connector Type	PCB Mount Receptacle
Connector System	Board-to-Board
Sealable	No
Connector & Contact Terminates To	Printed Circuit Board
Connector Product Type	Connector Assembly

### Configuration Features

Stackable	Yes
Number of Positions	10
Number of Rows	2
PCB Mount Orientation	Vertical

### Body Features

Connector Profile	Standard
Primary Product Color	Green

### Contact Features



Mating Pin Diameter	.63 mm[.024 in]
Mating Square Post Dimension	.63 mm[.024 in]
PCB Contact Termination Area Plating Material Thickness	2.5 $\mu$ m[98.42 $\mu$ in]
Contact Shape & Form	Square
Contact Protection Type	Closed Entry Housing
Contact Base Material	Phosphor Bronze
PCB Contact Termination Area Plating Material	Tin
	30 $\mu$ in
Contact Mating Area Plating Material	Gold Flash over Palladium Nickel
Contact Type	Socket
Contact Current Rating (Max)	3 A

#### Termination Features

Rectangular Termination Post & Tail Width	.69 mm[.027 in]
Rectangular Termination Post & Tail Thickness	.2 mm[.008 in]
Termination Post & Tail Length	3.1 mm[.122 in]
Termination Method to PCB	Through Hole - Solder

#### Mechanical Attachment

PCB Mount Retention Type	Retention Solder Tails
PCB Mount Retention	With

#### Housing Features

Mating Entry Location	Top
Centerline (Pitch)	2.54 mm[.1 in]
Housing Material	Polyester GF

#### Dimensions

Connector Height	8.5 mm[.335 in]
Row-to-Row Spacing	2.54 mm[.1 in]
PCB Thickness (Recommended)	1.6 mm

#### Usage Conditions

Operating Temperature Range	-65 – 125 °C[-85 – 257 °F][-67 – 221 °F]
-----------------------------	--

#### Operation/Application

Solder Process Feature	Board Standoff
------------------------	----------------

#### Industry Standards



UL Flammability Rating	UL 94V-0
------------------------	----------

**Packaging Features**

Packaging Quantity	72
--------------------	----

**Product Compliance**

[For compliance documentation, visit the product page on TE.com>](#)

EU RoHS Directive 2011/65/EU	Compliant
EU ELV Directive 2000/53/EC	Compliant
China RoHS 2 Directive MIIT Order No 32, 2016	有害物质含量符合标准要求 No Restricted Substance(s) Above Threshold
EU REACH Regulation (EC) No. 1907/2006	Current ECHA Candidate List: JUNE 2025 (250) Candidate List Declared Against: JUNE 2025 (250) Does not contain REACH SVHC
Halogen Content	Not Low Halogen - contains Br or Cl > 900 ppm.
Solder Process Capability	Wave solder capable to 265°C

**Product Compliance Disclaimer**

This information is provided based on reasonable inquiry of our suppliers and represents our current actual knowledge based on the information they provided. This information is subject to change. The part numbers that TE has identified as EU RoHS compliant have a maximum concentration of 0.1% by weight in homogenous materials for lead, hexavalent chromium, mercury, PBB, PBDE, DBP, BBP, DEHP, DIBP, and 0.01% for cadmium, or qualify for an exemption to these limits as defined in the Annexes of Directive 2011/65/EU (RoHS2). Finished electrical and electronic equipment products will be CE marked as required by Directive 2011/65/EU. Components may not be CE marked. Additionally, the part numbers that TE has identified as EU ELV compliant have a maximum concentration of 0.1% by weight in homogenous materials for lead, hexavalent chromium, and mercury, and 0.01% for cadmium, or qualify for an exemption to these limits as defined in the Annexes of Directive 2000/53/EC (ELV). Regarding the REACH Regulation, the information TE provides on SVHC in articles for this part number is based on the latest European Chemicals Agency (ECHA) 'Guidance on requirements for substances in articles' posted at this URL: <https://echa.europa.eu/guidance-documents/guidance-on-reach>

**Compatible Parts**



TE Part # 1-1241050-0  
2x10P MOD II BREAK AWAY HDR, SMD, BLISTER



TE Part # 1-826634-0  
MOD2 PIN HEADER 10P



TE Part # 1-826658-0  
2X10 POS AMPMODU II PIN HEADER



TE Part # 1-826656-0  
10P AMPMODU II STIFT LEI



TE Part # 1-966709-0  
2X10P MODUII BREAK AWAY  
HEADER, SMD



TE Part # 1-966269-0  
2x10P MODII BREAK AWAY HDR,  
SMD, TUBE PKG



TE Part # 1-826664-0  
10P MOD2 STIFT LEI

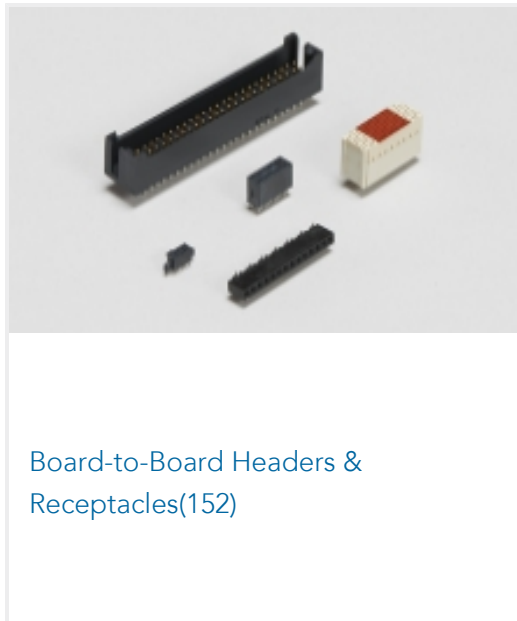


TE Part # 1-826632-0  
10P AMPMODU II PIN HDR.



TE Part # 1-826662-0  
10P AMPMODU II STIFTLEI

## Also in the Series | AMPMODU HV-100/HV-190



Board-to-Board Headers &  
Receptacles(152)



PCB Headers & Receptacles(152)

## Customers Also Bought



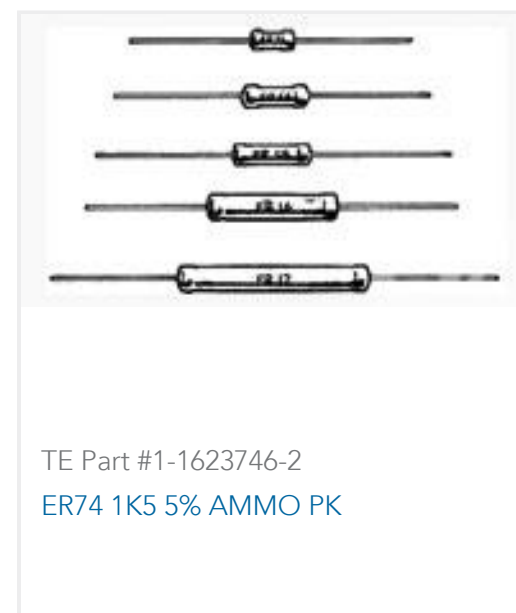
TE Part #172495-1  
MIC MK-II PLUG HSG 7P NATURAL



TE Part #177555-5  
DYNAMIC 3500 HDR ASSY 12P



TE Part #390088-2  
BLACK HSG WITH 15AU CONTACT



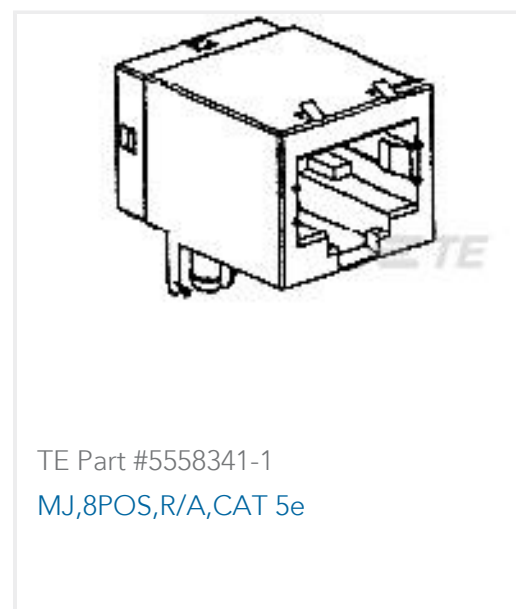
TE Part #1-1623746-2  
ER74 1K5 5% AMMO PK



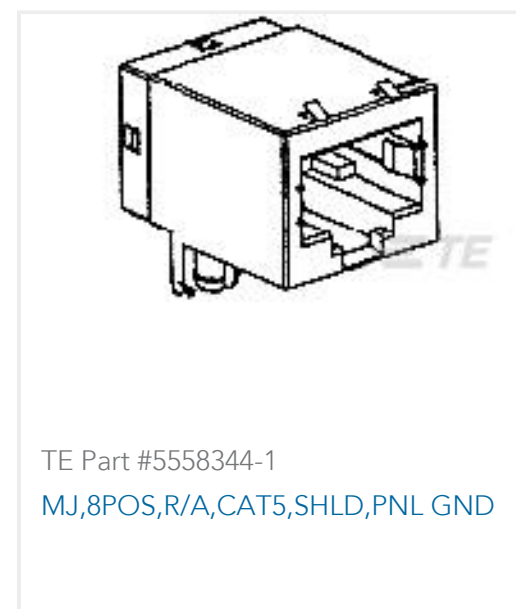
TE Part #1825095-1  
TP11CGPC004



TE Part #5535070-5  
ASSY,RECEPTACLE,EUROCARD,TYPE



TE Part #5558341-1  
MJ,8POS,R/A,CAT 5e



TE Part #5558344-1  
MJ,8POS,R/A,CAT5,SHLD,PNL GND



## Documents

### Product Drawings

[2X10P HV100 REC CON. TE, 8.5MM](#)

English

### CAD Files

[3D PDF](#)

3D

Customer View Model

[ENG\\_CVM\\_CVM\\_1-215309-0\\_F.2d\\_dxf.zip](#)

English

Customer View Model

[ENG\\_CVM\\_CVM\\_1-215309-0\\_F.3d\\_igs.zip](#)

English

Customer View Model

[ENG\\_CVM\\_CVM\\_1-215309-0\\_F.3d\\_stp.zip](#)

English

By downloading the CAD file I accept and agree to the [Terms and Conditions](#) of use.