



AMP | Sealed Sensor Connector SSC System

TE Internal #: 184095-2

Receptacle, Mating Tab Width 1.8 mm [.071 in], 22 – 17 AWG Wire Size, .3 – 1 mm<sup>2</sup> Wire Size, Sealed Sensor Connector SSC System, Automotive Terminals

[View on TE.com >](#)

Terminals & Splices > Automotive Terminals



Terminal Type: **Receptacle**

Mating Tab Width: **1.8 mm [.071 in]**

Terminal Transmits: **0 – 24 A (Low Power)**

Wire Size: **.3 – 1 mm<sup>2</sup>**

**Features**

**Product Type Features**

Receptacle Style	180°
Sealable	Yes

**Body Features**

Terminal Seal Type	Single Wire Seal (SWS)
--------------------	------------------------

**Contact Features**

Contact Size	1.8mm
Contact Fabrication	Stamped & Formed
Wire Contact Termination Area Plating Material	Tin
Typical Current Rating	12 A
Crimp Type	F-Crimp
Terminal Type	Receptacle
Mating Tab Width	1.8 mm[.071 in]
Interface Plating	Tin (Sn)

**Termination Features**

Termination Method to Wire & Cable	Crimp
Product Terminates To	Wire

**Dimensions**

Compatible Insulation Diameter Range	1.2 – 2.1 mm[.047 – .082 in]
Wire Size	.3 – 1 mm <sup>2</sup>



Wire Size Search	17 AWG, 18 AWG, 19 AWG, 20 AWG, 21 AWG, 22 AWG
------------------	--

### Usage Conditions

Insulation Option	Uninsulated
Operating Temperature (Max)	80 °C, 85 °C, 90 °C, 100 °C, 105 °C, 110 °C, 120 °C, 125 °C[176 °F][185 °F][194 °F][212 °F][221 °F][230 °F][248 °F][257 °F]
Operating Temperature Range	-40 – 125 °C[-40 – 257 °F]

### Operation/Application

Compatible With Wire Base Material	Copper
------------------------------------	--------

### Industry Standards

Compatible With Agency/Standards Products	SAE/USCAR-2
---	-------------

### Packaging Features

Packaging Quantity	6000
Packaging Method	Package

### Other

Terminal Transmits	0 – 24 A (Low Power)
--------------------	----------------------

## Product Compliance

[For compliance documentation, visit the product page on TE.com>](#)

EU RoHS Directive 2011/65/EU	Compliant
EU ELV Directive 2000/53/EC	Compliant
China RoHS 2 Directive MIIT Order No 32, 2016	No Restricted Materials Above Threshold
EU REACH Regulation (EC) No. 1907/2006	Current ECHA Candidate List: JUNE 2024 (241) Candidate List Declared Against: JUNE 2024 (241) Does not contain REACH SVHC
Halogen Content	Low Halogen - Br, Cl, F, I < 900 ppm per homogenous material. Also BFR/CFR/PVC Free
Solder Process Capability	Not reviewed for solder process capability

#### Product Compliance Disclaimer

This information is provided based on reasonable inquiry of our suppliers and represents our current actual knowledge based on the information they provided. This information is subject to change. The part numbers that TE has identified as EU RoHS compliant have a maximum concentration of 0.1% by weight in homogenous materials for lead, hexavalent

chromium, mercury, PBB, PBDE, DBP, BBP, DEHP, DIBP, and 0.01% for cadmium, or qualify for an exemption to these limits as defined in the Annexes of Directive 2011/65/EU (RoHS2). Finished electrical and electronic equipment products will be CE marked as required by Directive 2011/65/EU. Components may not be CE marked. Additionally, the part numbers that TE has identified as EU ELV compliant have a maximum concentration of 0.1% by weight in homogenous materials for lead, hexavalent chromium, and mercury, and 0.01% for cadmium, or qualify for an exemption to these limits as defined in the Annexes of Directive 2000/53/EC (ELV). Regarding the REACH Regulation, the information TE provides on SVHC in articles for this part number is based on the latest European Chemicals Agency (ECHA) 'Guidance on requirements for substances in articles' posted at this URL: <https://echa.europa.eu/guidance-documents/guidance-on-reach>

## Compatible Parts



TE Part # 184046-1  
4 POS. PLUG ASSY, KEY A



TE Part # 184032-1  
3 POS. PLUG ASSY, KEY A



TE Part # 184141-1  
WIRE SEAL,RUBBER,SENSOR,PURPLE, LIM



TE Part # 184140-1  
WIRE SEAL,RUBBER,SENSOR, ORANGE



TE Part # 171631-2  
070 TAB CONT GOLD



TE Part # 184139-1  
WIRE SEAL,RUBBER,SENSOR,BLUE



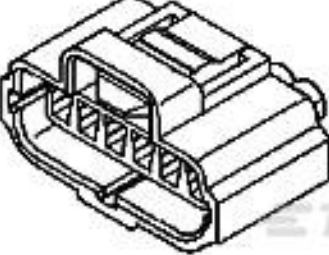
TE Part # 184344-1  
2X2 PLG ASY KEY A C3



TE Part # 184248-1  
2X2 PLG ASY KEY A C4



TE Part # 184340-1  
PLUG ASSY,2X2,CPA,W/O SLOT,CKT4 BLKD



TE Part # 184060-1  
6 POS./6 CIRC PLUG ASSY, KEY A



TE Part # 184004-1  
2 POS. PLUG ASSY, KEY C, BLACK



TE Part # 184022-1  
2 POS. PLUG ASSY, KEY M, BLACK



TE Part # 184000-1  
2 POS. PLUG ASSY, KEY A, BLACK



TE Part # 184042-1  
1 POS. PLUG ASSY, KEY A



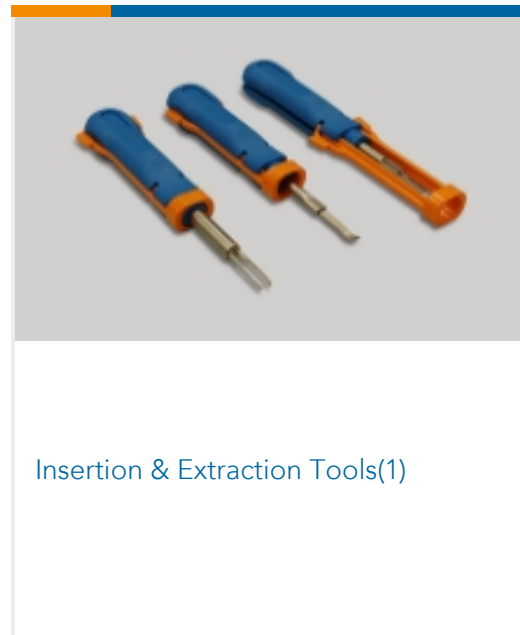
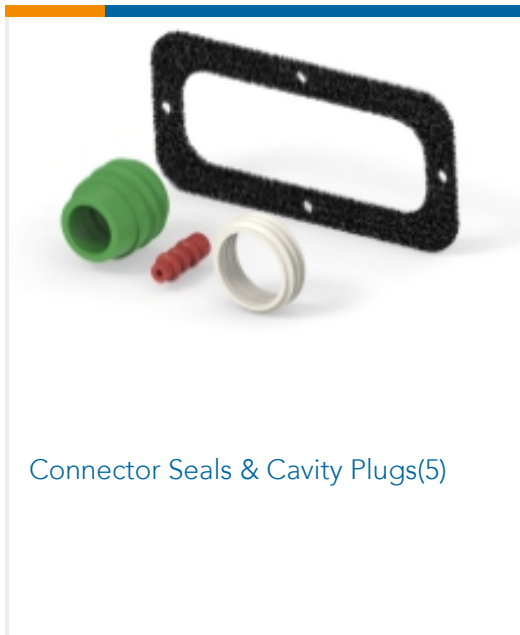
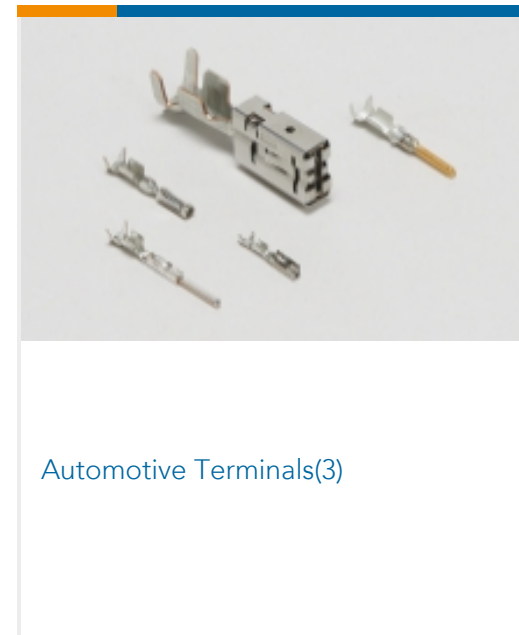
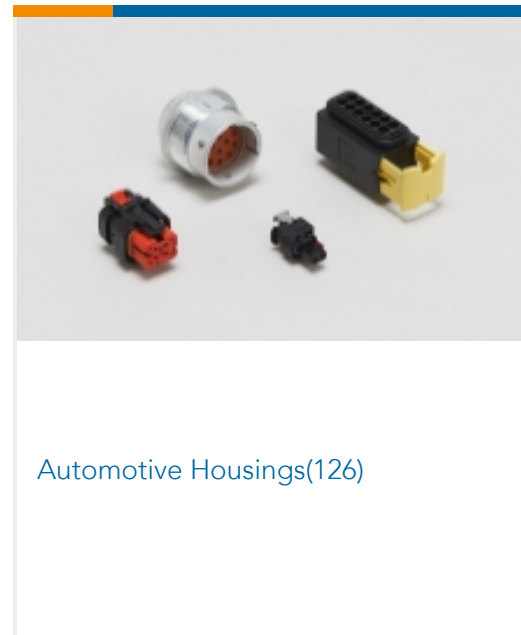
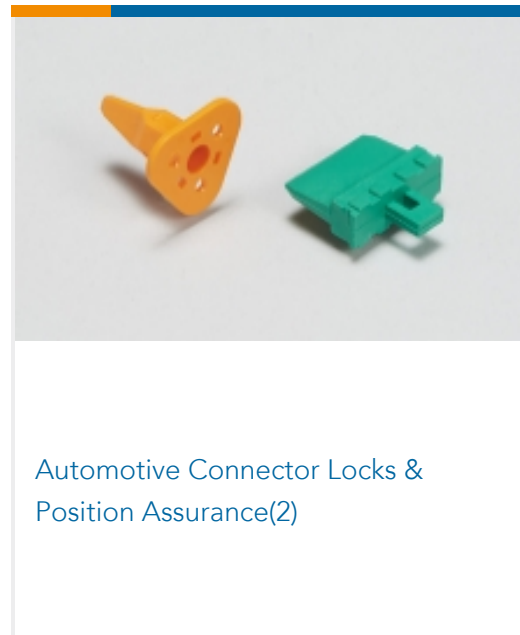
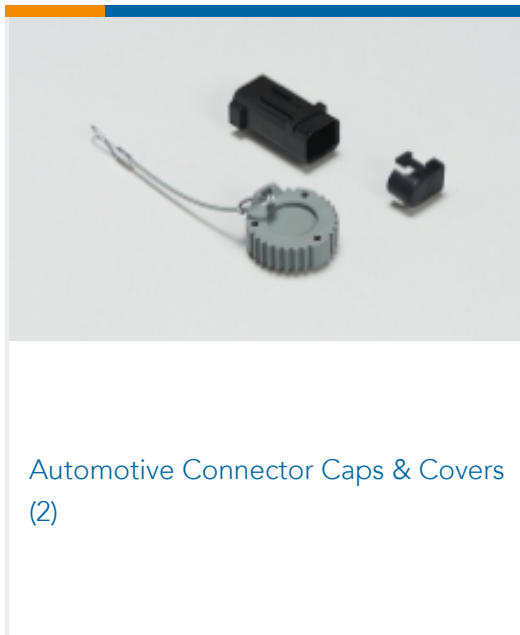
TE Part # 184002-1  
2 POS. PLUG ASSY, KEY B, GRAY



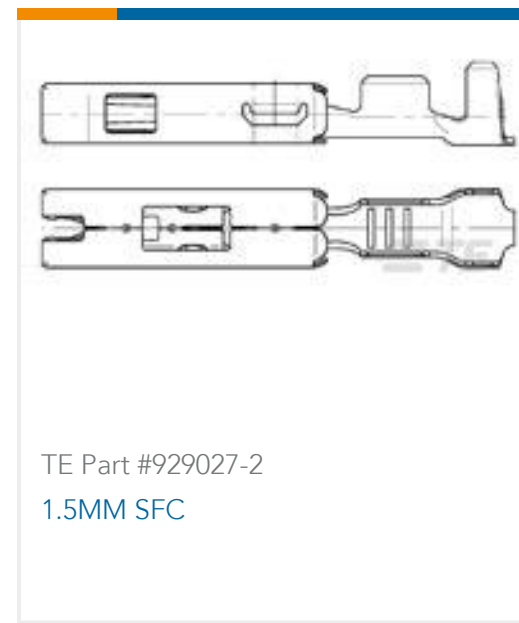
TE Part # 184452-1  
6 POS SSC PLUG ASSY, BLKD CKTS



## Also in the Series | Sealed Sensor Connector SSC System



## Customers Also Bought





## Documents

### CAD Files

#### Customer View Model

[ENG\\_CVM\\_184095-2\\_C2.3d\\_igs.zip](#)

English

#### Customer View Model

[ENG\\_CVM\\_184095-2\\_C2.3d\\_stp.zip](#)

English

#### Customer View Model

[ENG\\_CVM\\_184095-2\\_C2.2d\\_dxf.zip](#)

English

### 3D PDF

English

By downloading the CAD file I accept and agree to the [Terms and Conditions](#) of use.

### Product Specifications

#### Application Specification

English