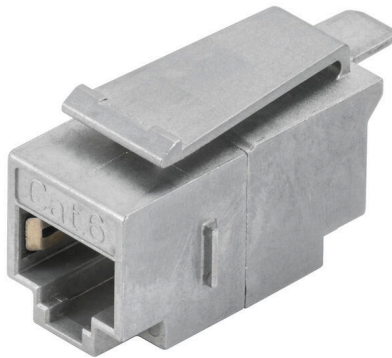


**IE-XR-RJ45/RJ45-2**

**Weidmüller Interface GmbH & Co. KG**  
Klingenbergstraße 26  
D-32758 Detmold  
Germany

[www.weidmueller.com](http://www.weidmueller.com)



IE plug-in connectors, IP20, for copper and fibre optic cables

**General ordering data**

Version	Mounting flange, Cat.6A / Class EA (ISO/IEC 11801 2010), IP20
Order No.	<a href="#">8952950000</a>
Type	IE-XR-RJ45/RJ45-2
GTIN (EAN)	4032248744329
Qty.	24 items

## IE-XR-RJ45/RJ45-2

Weidmüller Interface GmbH &amp; Co. KG

Klingenbergstraße 26

D-32758 Detmold

Germany

www.weidmueller.com

## Technical data

## Approvals

ROHS	Conform
------	---------

## Dimensions and weights

Net weight	21.33 g
------------	---------

## Temperatures

Storage temperature	Operating temperature	-40 °C...70 °C
Installation temperature		

## Environmental Product Compliance

RoHS Compliance Status	Compliant without exemption
REACH SVHC	No SVHC above 0.1 wt%

## General data

Connection 1	RJ45	Housing main material	Zinc diecast
Category	Cat.6A / Class EA (ISO/IEC 11801 2010)	Shielding	360°; shield contact
Protection degree	IP20	Insertion force	≤ 30 N
Plugging cycles	750		

## Electrical properties

Contact resistance	≤ 20 mΩ	Dielectric strength, contact / shield	≥ 1500 V AC/DC
Dielectric strength, contact / contact	≥ 1000 V AC/DC	Current-carrying capacity at 50 °C	1 A
PoE / PoE+	conforming to IEEE 802.3at		

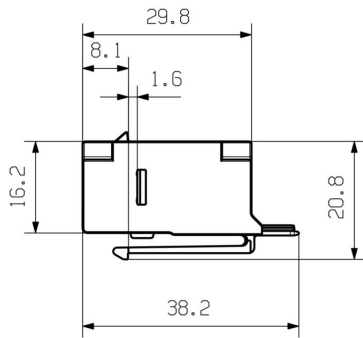
## General standards

Connector standard	IEC 60603-7-5
--------------------	---------------

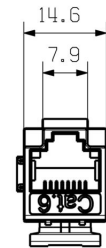
## Classifications

ETIM 8.0	EC001121	ETIM 9.0	EC001121
ETIM 10.0	EC001121	ECLASS 14.0	27-44-03-90
ECLASS 15.0	27-44-03-90		

Dimensioned drawing



Dimensioned drawing



Installation cut-out

