

AR9382

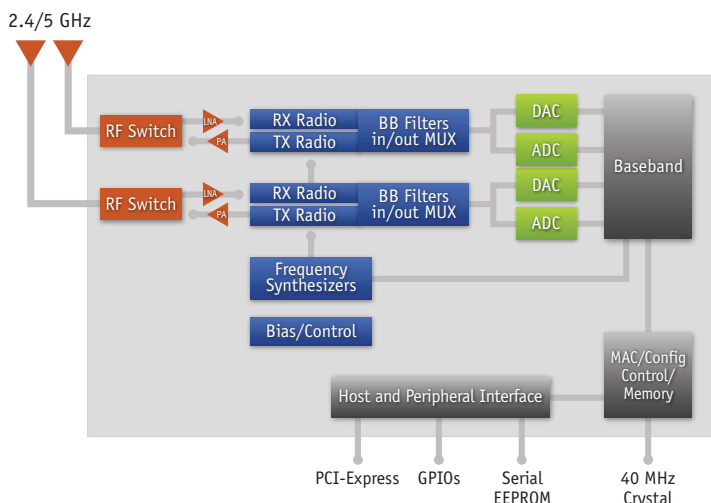
Single-chip, 2.4/5 GHz, 2-stream
802.11a/b/g/n solution with
SST Technology



Solution Highlights

- Single-chip, 802.11n-certified wireless LAN client solution with integrated MAC, baseband and 2.4/5 GHz radios
- Based on Atheros' fourth-generation 802.11n technology
- Support for 2-stream MIMO
- Conserves power with 1x1 downshift, using Dynamic MIMO Power Save
- Enables PHY rates of up to 300 Mbps
- Compliant with IEEE 802.11b, 802.11g, 802.11d, 802.11e, 802.11i, and 802.11n
- Lead-free RoHS compliant
- Signal-Sustain Technology (SST) rate-over-range enhancements: LDPC, MLD, TxBF

AR9382 Architecture



Atheros XSPAN[®] Technology

Atheros offers the industry's most innovative and complete portfolio of 802.11n wireless LAN chip solutions. This generation of Atheros' XSPAN 802.11n technology builds upon the company's XSPAN leadership – with enhanced performance, higher integration, smaller form factors and lower overall cost – to meet the needs of the rapidly growing 802.11n market. Like all Atheros' 11n solutions, the new fourth-generation solutions are compliant to the IEEE 802.11n specification.



Atheros fourth-generation XSPAN chips feature:

- **Leading Integration** that delivers end-product cost and form factors to drive broad market adoption of 802.11n products;
- **Single- and Dual-Band, and Multiple MIMO Configurations** that enable OEMs to balance product price/performance for specific applications and market segment requirements;
- **Rich Media & Peripheral Interfaces** that anticipate the requirements for advanced media networking applications and allow end-product feature differentiation;
- **Easy Network Setup** the industry's simple network configuration software that supports both the PIN and push-button setup methods.

Product Overview

AR9382 is the single-chip, dual-band (2.4/5 GHz), 2-stream 11n solution with PCIe interface. It packs the breakthrough Signal-Sustain Technology (SST) technology that enhances rate-over-range performance. SST is a set of advanced technologies and features enabled by 802.11n including LDPC, TxBF and MLD. The end result is an impressive increase in rate-over-range of ~+100% at short range, ~+50% at mid range and ~+25% at long range.

To reduce the manufacturing cost, the AR9382 has successfully integrated external components such as both the 2.4/5 GHz LNA and PA, switching regulators and EEPROMs. It has dramatically reduced the RBOM and has made the board manufacturing easy and simple.

Despite its mighty performance and high degree of integration, AR9382 consumes even less power in every operation mode – active TX, active RX, idle associated and sleep than the previous generation solution. It keeps the notebook and other computing platforms running much longer on a single battery-charge, while providing TCP throughput of more than 200 Mbps when used in 2x2 mode.

AR9382 is also optimized for Atheros Direct Connect™ P2P applications. With its Fast Channel Switch (FCS) feature, the channel switching time between the 2.4 GHz and 5 GHz bands is reduced from 10 ms to as little as 1 ms.

AR9382

Single-chip 2.4/5 GHz, 2-stream
802.11a/b/g/n solution with
SST Technology

Reference Design Highlights



HB116

- Half Mini Card form factor
- Compliant with PCI-Express Mini Card 1.1 standard
- Driver support for Windows 7, Vista, XP and Linux
- Worldwide regulatory compliance

AR9382 Specifications

Frequency Band	2.4/5 GHz
Network Standard	802.11a, 802.11b, 802.11g, 802.11n
Modulation Technology	OFDM with BPSK, QPSK, 16 QAM, 64 QAM; DBPSK, DQPSK, CCK
FEC Coding	Convolution Code Low-Density Parity Check (LDPC)
Hardware Encryption	AES, TKIP, WEP
Quality of Service	802.11e
Host Interface	PCI-Express
Peripheral Interface	GPIO
Supported Data Rates	IEEE 802.11a 6 - 54 Mbps IEEE 802.11b 1 - 11 Mbps IEEE 802.11g 6 - 54 Mbps IEEE 802.11n 6.5 - 300 Mbps

Atheros Communications is a global leader in innovative technologies for wireless and wired communications. Atheros combines its wireless and networking systems expertise with high-performance radio frequency (RF), mixed signal and digital semiconductor design skills to provide highly integrated chipsets that are manufactured on low-cost, standard complementary metal-oxide semiconductor (CMOS) processes. Atheros technology is used by a broad base of leading customers, including networking equipment, computing and consumer device manufacturers.

For more information on the AR9382 or other solutions from Atheros contact your local representative:

Atheros Communications, Inc.
t +1 408.773.5200
f +1 408.773.9940

Atheros Hong Kong Limited
t +852 8206.1131
f +852 8206.1301

Atheros Communications KK-Japan
t +81 3.5501.4100
f +81 3.5501.4129

Atheros (Shanghai) Co., Ltd.
t +86 21.5108.3626
f +86 21.5027.0100

Atheros Communications Intl, LLC-Taiwan
t +886 2.8751.6385
f +886 2.8751.6397

Atheros Korea
t +82 31.786.0428



ATHEROS

There is Here.

Downloaded from Arrow.com

For more information on Atheros and Atheros wireless technology please visit www.atheros.com
Specification subject to change © 2010 Atheros Communications, all rights reserved
Atheros, the Atheros logo, XSPAN and XSPAN the logo are registered trademarks of Atheros Communications, Inc. There is Here is a trademark of Atheros Communications, Inc.
All other trademarks mentioned in this document are the property of their respective owners.

AR9382-11-16-10