

**Data Sheet | Item Number: 221-613**

Splicing connector with levers; for all conductor types; max. 6 mm<sup>2</sup>; 3-conductor; transparent housing; Surrounding air temperature: max 85°C (T85); 6,00 mm<sup>2</sup>; transparent

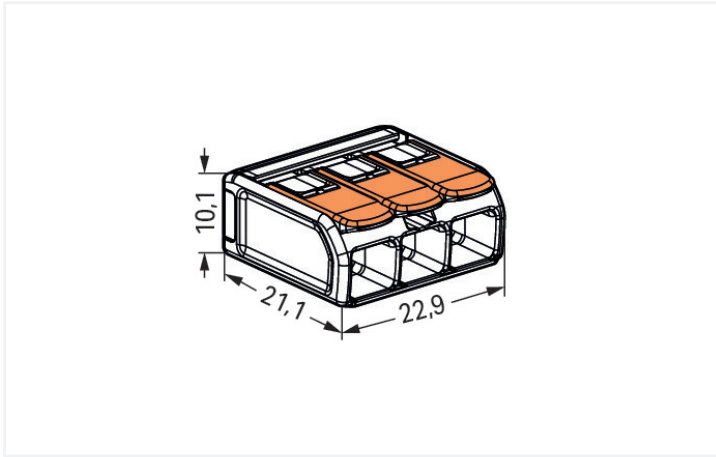


<https://www.wago.com/221-613>



Color:  transparent





Dimensions in mm

Splicing connector with levers, 221 Series, lever

Easy electrical installations are guaranteed with splicing connector with levers (item number 221-613). From wiring intercom systems to installing electrical ovens, connecting different conductor types is quick and hassle-free with WAGO's compact 221 Series splicing connector, which allows you to quickly and safely connect different types of conductors. Ensure that the strip lengths are between 12 and 14 mm when connecting conductors to splicing connector with levers. This splicing connector has a rated voltage of 450 V and can handle currents up to 41 A, making it suitable for high-load applications. Featuring conductor terminals along with CAGE CLAMP®, this product delivers reliable performance. Our highly-rated and maintenance-free CAGE CLAMP® connection makes it easy to connect all conductor types without having to prepare the conductor. For example, you don't need to crimp ferrules. The item's dimensions are (22.9 x 10.1 x 21.1) mm (width x height x depth). Splicing connector with levers is suitable for conductor cross sections ranging from 0.5 mm² to 6 mm².

WAGO's 221 Series Splicing Connector with levers impresses with its innovative design for different conductor cross-sections. That's why WAGO's lever-equipped splicing connector holds a unique trademark within electrical interconnection technology. The flat levers, which fit seamlessly into the 221's base, act like a cast when closed and can be positioned neatly in any housing without disturbing edges. Due to the wide design of each lever, they can all be operated perfectly without tools for convenient conductor terminations. The transparent housing displays robust technology and enables immediate visual inspection for the correct contact of solid, stranded and fine-stranded conductors. Resembling piano keys, the levers' design perfectly combines the functional and aesthetic connection technology "Made by WAGO." This product is designed for specific Ex applications (please refer to the product datasheet).

**Notes**

<p>General safety information</p>	<p><b>NOTICE: Observe installation and safety instructions!</b></p> <ul style="list-style-type: none"> <li>• <b>Only to be used by electricians!</b></li> <li>• Do not work under voltage/load!</li> <li>• Use only for proper use!</li> <li>• Observe national regulations/standards/guidelines!</li> <li>• Observe technical specifications for the products!</li> <li>• Observe the number of permissible potentials!</li> <li>• Do not use damaged/dirty components!</li> <li>• Observe conductor types, cross-sections and strip lengths!</li> <li>• Insert conductor until it hits the product's backstop!</li> <li>• Use original accessories!</li> </ul> <p><b>To be sold only with installation instructions!</b></p>
-----------------------------------	--

Safety Information in grounded power lines

**Electrical data**

Ratings per	EN 60664			Approvals per	UL 486C		
Overtoltage category	III	III	II	Use group	B	C	D
Pollution degree	3	2	2	Rated voltage	-	600 V	-
Nominal voltage	-	-	450 V	Rated current	-	30 A	-
Rated impulse withstand voltage	-	-	4 kV				
Rated current	-	-	41 A				

### General information

Wiring direction	Side-entry wiring
------------------	-------------------

### Connection Data

Clamping units	3
Total number of potentials	1

### Connection 1

Connection technology	CAGE CLAMP®
Actuation type	Lever
Connectable conductor materials	Copper
Nominal cross-section	6 mm <sup>2</sup> / 10 AWG
Solid conductor	0.5 ... 6 mm <sup>2</sup> / 20 ... 10 AWG
Stranded conductor	0.5 ... 6 mm <sup>2</sup> / 20 ... 10 AWG
Fine-stranded conductor	0.5 ... 6 mm <sup>2</sup> / 20 ... 10 AWG
Strip length	12 ... 14 mm / 0.47 ... 0.55 inches
Wiring direction	Side-entry wiring

### Physical data

Width	22.9 mm / 0.902 inches
Height	10.1 mm / 0.398 inches
Depth	21.1 mm / 0.831 inches

### Material data

Note (material data)	<a href="#">Information on material specifications can be found here</a>
Color	transparent
Cover color	transparent
Material group	IIIa
Insulation material (main housing)	Polycarbonate (PC)
Flammability class per UL94	V2
Fire load	0.065 MJ
Actuator color	orange
Weight	4 g

### Environmental requirements

Ambient temperature (operation)	+85 °C
Continuous operating temperature	105 °C
Temperature marking per EN 60998	T85

### Commercial data

PU (SPU)	300 (30) pcs
Packaging type	Box
Country of origin	CH
GTIN	4055143715416
Customs tariff number	85369010000

### Product Classification

UNSPSC	39121409
eCl@ss 10.0	27-14-11-04
eCl@ss 9.0	27-14-11-04
ETIM 9.0	EC000446
ETIM 10.0	EC000446
ECCN	NO US CLASSIFICATION

### Environmental Product Compliance

RoHS Compliance Status	Compliant, No Exemption
------------------------	-------------------------

### Approvals / Certificates

#### General approvals



Approval	Standard	Certificate Name
CB DEKRA Certification B.V.	IEC 60998	NL-114612
cULus_Listed_667F Underwriters Laboratories Inc.	UL 486C	E69654
ENEC 05 DEKRA Certification B.V.	EN 60998	71-152265
UL Underwriters Laboratories Inc.	UL 467	E201573

#### Declarations of conformity and manufacturer's declarations

Approval	Standard	Certificate Name
EU-Declaration of Conformity WAGO GmbH & Co. KG	-	-
UK-Declaration of Conformity WAGO GmbH & Co. KG	-	-

#### Approvals for marine applications



Approval	Standard	Certificate Name
ABS American Bureau of Shipping	EN 60998	23-2417173-PDA
LR Lloyds Register	EN 60998	LR2446364TA
PRS Polski Rejestr Statków	EN 60998	TE/1093/880590/23

### Downloads

#### Environmental Product Compliance

##### Compliance Search

Environmental Product  
Compliance 221-613



## Documentation

Bid Text			
221-613	19.02.2019	xml 3.48 KB	<a href="#">↓</a>
221-613	23.01.2019	docx 15.05 KB	<a href="#">↓</a>
ausschreiben.de 221-613			<a href="#">↓</a>

## CAD/CAE-Data

CAD data	
2D/3D Models 221-613	<a href="#">↓</a>

CAE data	
EPLAN Data Portal 221-613	<a href="#">↓</a>
ZUKEN Portal 221-613	<a href="#">↓</a>

## 1 Compatible Products

### 1.1 Optional Accessories

#### 1.1.1 General accessories

##### 1.1.1.1 Moisture protection



**Item No.: 207-1431**

Gelbox; Branch; for cables; with gel; 221 Series; max. 6 mm<sup>2</sup> connectors; without splicing connectors; Size 1; gray

**Item No.: 207-1433**

Gelbox; Branch; for cables; with gel; 221 Series; max. 6 mm<sup>2</sup> connectors; without splicing connectors; Size 3; gray

#### 1.1.2 Jumper

##### 1.1.2.1 Jumper



**Item No.: 221-941/000-006**

Jumper; for conductor entry; 2-way; insulated; blue

**Item No.: 221-942/000-006**

Jumper; for conductor entry; 2-way; insulated; blue

**Item No.: 221-941**

Jumper; for conductor entry; 2-way; insulated; dark gray

**Item No.: 221-942**

Jumper; for conductor entry; 2-way; insulated; dark gray

#### 1.1.3 Mounting adapter

##### 1.1.3.1 Mounting accessories



**Item No.: 221-510/000-006**

Mounting carrier; 221 Series - 6 mm<sup>2</sup>; for DIN-35 rail mounting/screw mounting; blue

**Item No.: 221-510/000-053**

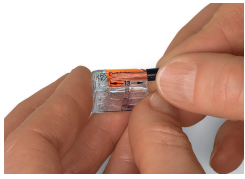
Mounting carrier; 221 Series - 6 mm<sup>2</sup>; for DIN-35 rail mounting/screw mounting; dark gray-yellow

**Item No.: 221-510**

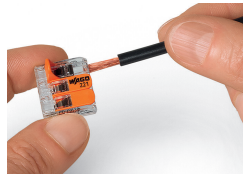
Mounting carrier; 221 Series - 6 mm<sup>2</sup>; for DIN-35 rail mounting/screw mounting; orange

## Installation Notes

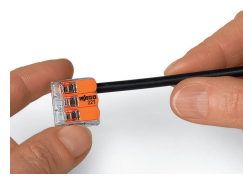
### Conductor termination



Strip conductor to 12 ... 14 mm.

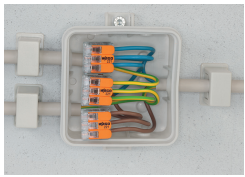


Termination: Lift the lever to open the clamping unit and insert a stripped conductor.



Then, lower the lever to close the clamp.

### Application



Wiring fine-stranded conductors in junction boxes.



Custom low-voltage lighting system



Lighting distribution in a ceiling canopy



Pendant light connection in a suspended ceiling



COMPACT Splicing Connectors for All Conductor Types (6 mm<sup>2</sup>), 221 Series