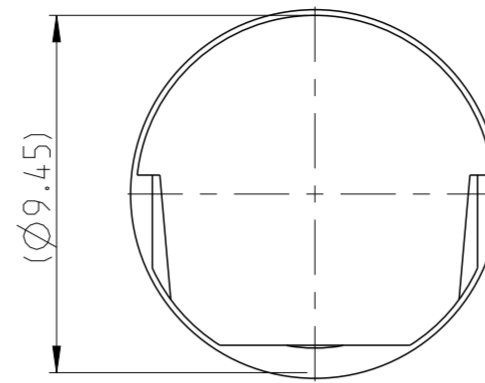
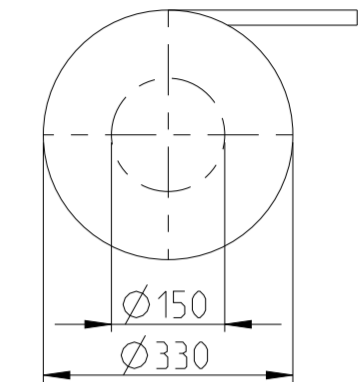


INDICATED WITH HOOD P&P

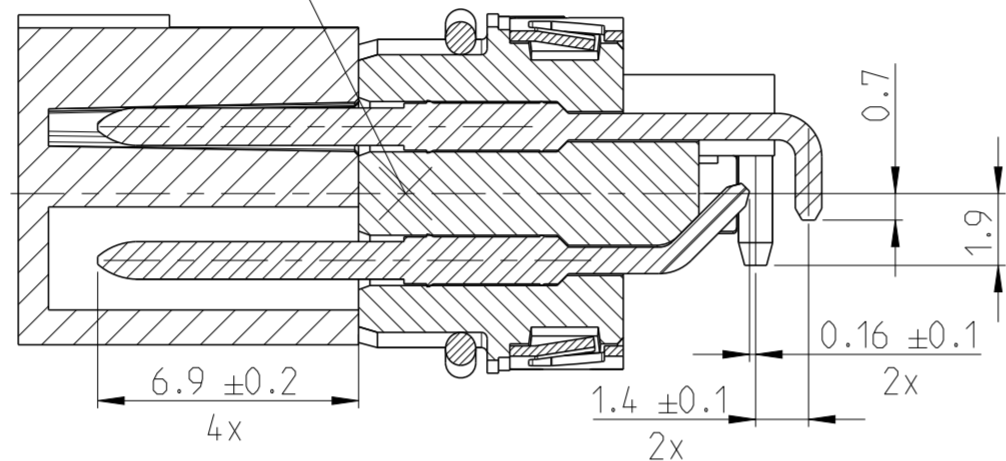


REVISIONS					
P	LTR	DESCRIPTION	DATE	DWN	APVD
A1		NEW DRAWING	03JUL2023	NK	JDB
A2		DRAWING RE-CREATED IN CREO	02AUG2023	NK	JDB

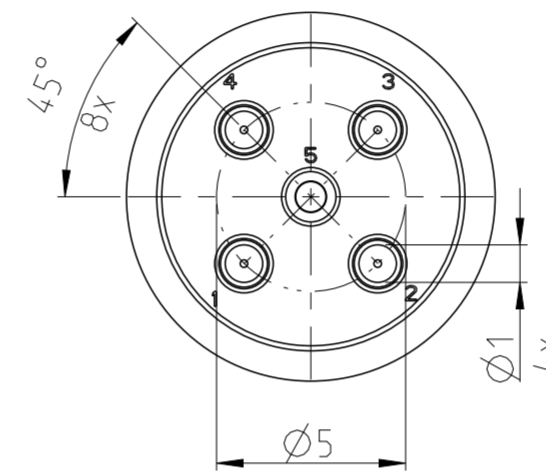
TAPE ON REEL PACKAGING ACCORDING TO DIN IEC 60286-3
PACKAGING UNIT: 250 PCS



SECTION A-A
CENTER OF GRAVITY

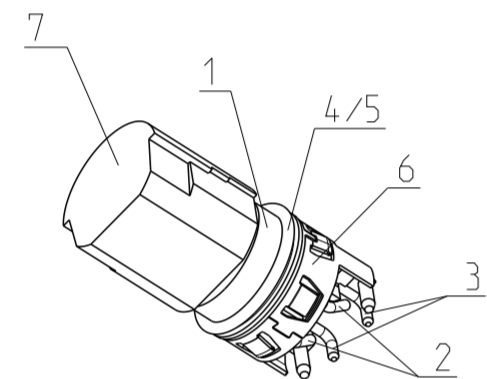
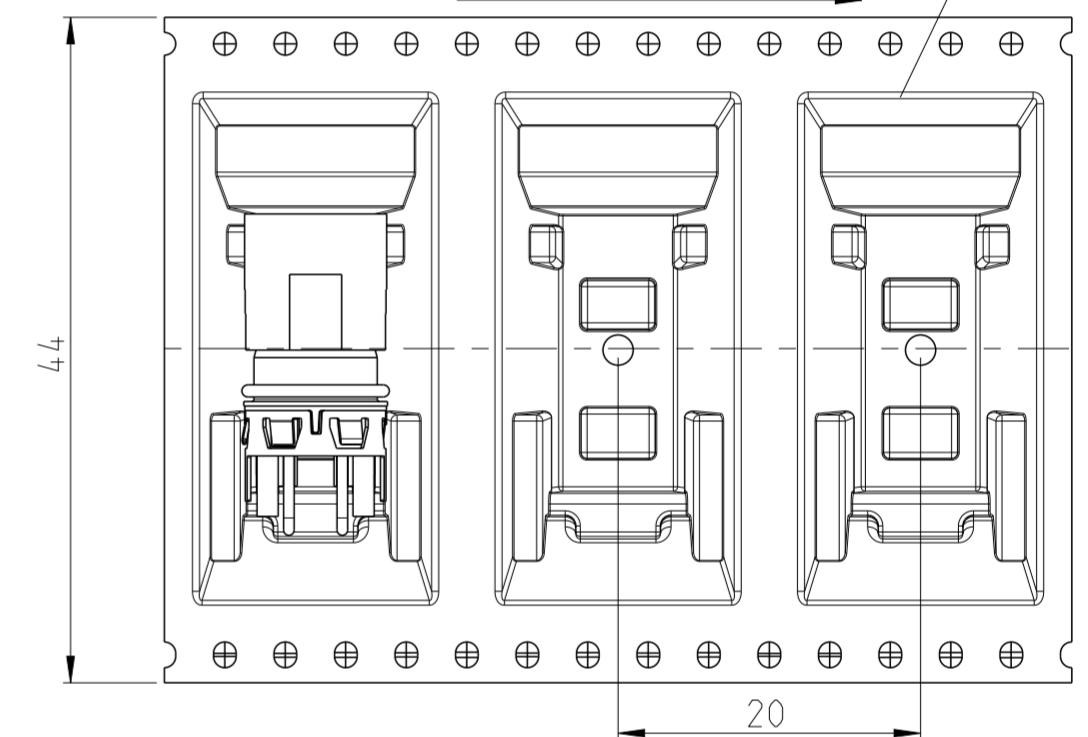


INDICATED WITHOUT HOOD P&P

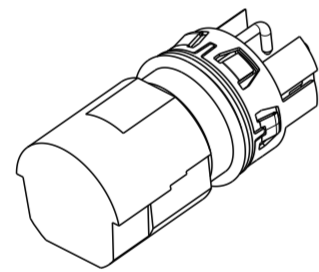


CONSIDER MOUNTING POSITION

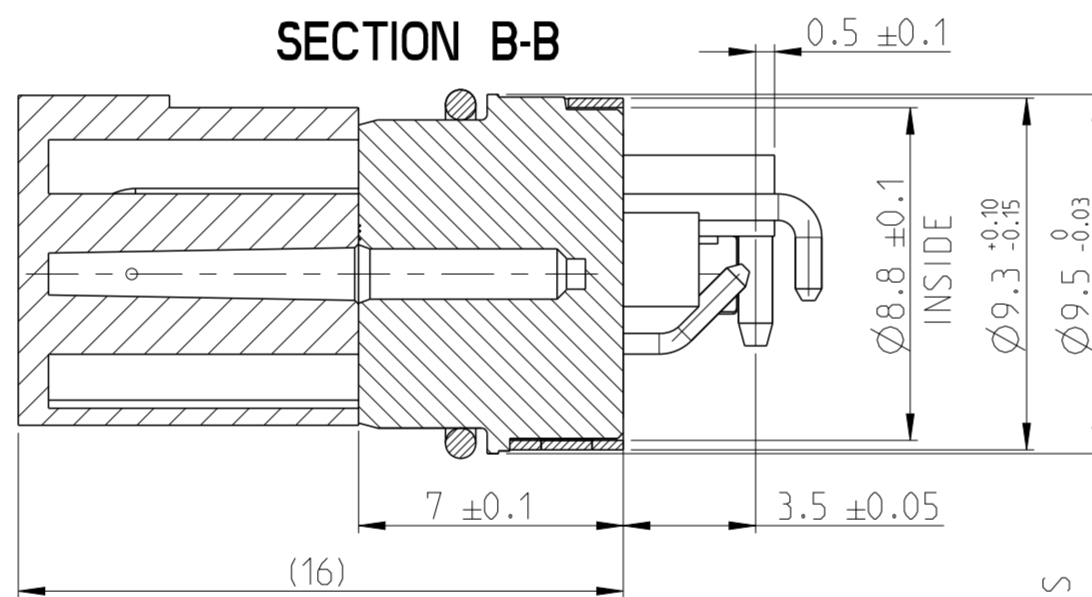
REEL OFF DIRECTION



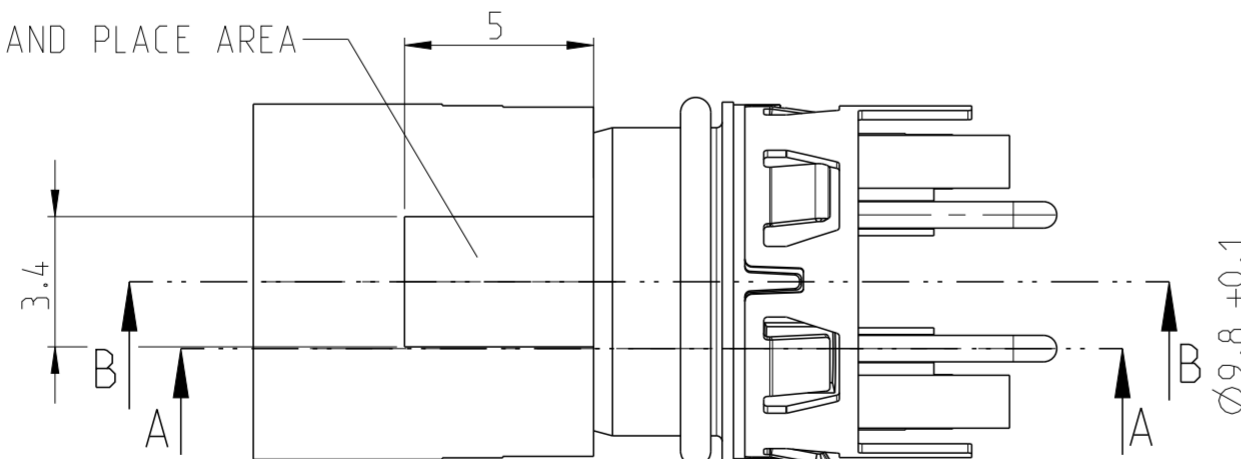
INDICATED PART-NO.XXXXXX-E



SCALE 2:1



PICK AND PLACE AREA



OBSOLETE

QTY	PARTS LIST
1	1 - TAPE AND REEL
1	1 - HOOD
1	1 - SHIELD
1	1 - O-RING 7.2x0.8
1	1 - O-RING 7.2x0.85
2	2 - PIN 3,4
2	2 - PIN 1,2
1	1 - M12 HOUSING
XXXXXX-E	235221-E 235042-E 225270-E 225267-E
REV	DESCRIPTION ITEM NO.
-	- REV OF EACH ASSY NO. (WHEN BLANK, USE DWG. REV)

- CHECK ACCORDING DEFINED CRITERIA.
- CHECK WITH MASTER GAUGE.
- SHIELDING MUST REMAIN LOCKED AND CLOSED ON INSULATING BODY UNTIL FINAL ASSEMBLY AT THE END CUSTOMER.
- MATING FACE ACCORDING TO IEC 61076-2-101
- RECOMMENDED DIMENSION FOR INTEGRATION IN HOUSING ACCORDING TO 114-94782
- PCB-LAYOUT PROPOSAL ACCORDING TO DOCUMENT 114-94782

OBSOLETE

PART-NO	REMARK
XXXXXX-E	POTTING NOT NEEDED
235221-E	POTTING NOT NEEDED
235042-E	POTTING NOT NEEDED
225270-E	POTTING NOT NEEDED
225267-E	POTTING NOT NEEDED

THIS DRAWING IS A CONTROLLED DOCUMENT.

DIMENSIONS:	TOLERANCES UNLESS OTHERWISE SPECIFIED:
mm	ISO 8015
0 PLC	±
1 PLC	±
2 PLC	±
3 PLC	±
4 PLC	±
ANGLES	±
FINISH	±

DWN	29APR2023
CHK	30APR2023
APVD	30APR2023
PRODUCT SPEC	108-94897
APPLICATION SPEC	114-94782
WEIGHT	-
CUSTOMER DRAWING	SCALE 5:1 SHEET 1 OF 1 REV A2

TE Connectivity	
M12 MALE, UNI CODE.RA, 4P THR REAR MOUNT	
SIZE	RESTRICTED TO
A2	-