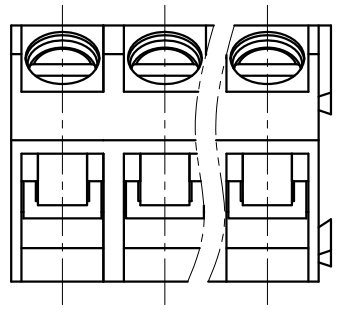


REVISION RECORD				
REV	ECN	DESCRIPTION	DRFT	DATE

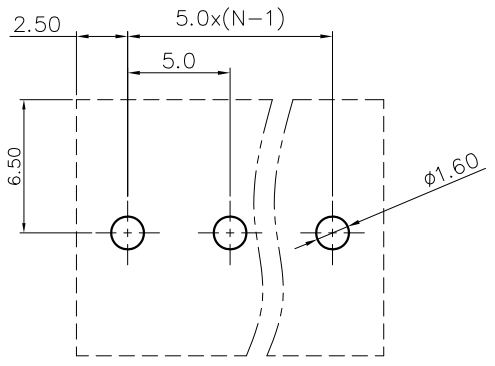
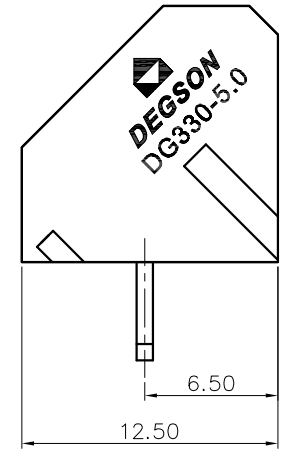
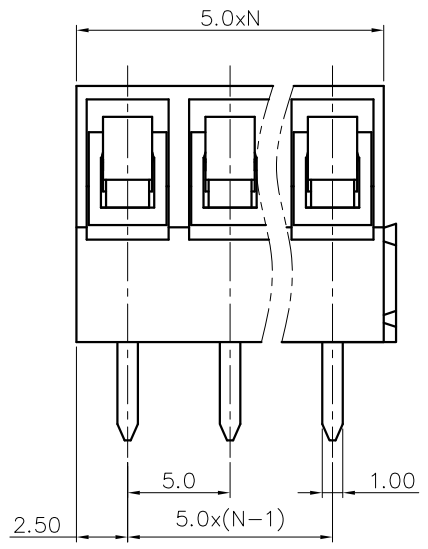
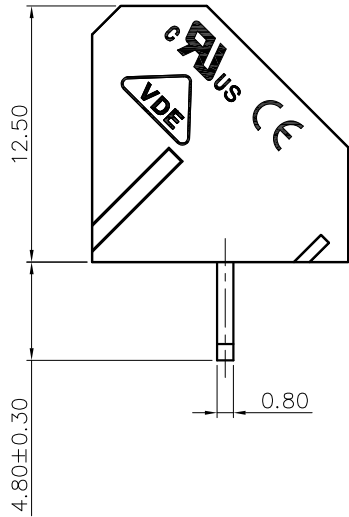


- NOTES1:
- UL Standard
 - 1.Rated Voltage/Current : 300V / 15A
 - 2.Torque Value : M2.5 , 3.54Lb.in
 - 3.Wire Range : 22~12AWG
- IEC Standard
- 1.Rated Voltage/Current : 250V / 24A
 - 2.Torque Value : M2.5 , 0.4N.m
 - 3.Wire Range : 2.5mm²

- NOTES2:
- 1.Dimension shall be interpreted per ASME Y14.5-2009
 - 2.Pitch : 5.0mm, Poles : N=02~24P
 - 3.Stripping length : 4~5mm
 - 4.Withstanding Voltage : AC2000V/1Min.
 - 5.Operating temperature: -40°C~+105°C
 - 6.Undimensioned Tolerances:

Pitch range in mm		Nominal dimension range in mm					Tolerances	
To	Over	To	Over	To	Over	0.1/10	∠	
6	10	6	30	60	100	150	<	
±0.15	±0.20	±0.30	±0.30	±0.50	±0.70	±1.00	±1.30	±2'

7.RoHS Compliance



DG330 - 5.0 - XXP - 1Y - 00A (H)

(Series No.) (Pitch) (Poles) (Single Pitch) (RoHS) 00A-(Standard)

(Color):1.(Grey)2.(Blue)3.(Black)4.(Green)5.(Orange)6.(Red)7.(Transparent)8.(Yellow)9.(White)

DETACHED LISTS	PART NO.:	/			
	APPD:	/			
	CHKD:	/			
	DRFT:	/			
		 THIRD ANGLE PROJECTION		 DO NOT SCALE DRAWING	
		DRAWING NO.:		REV	DO
		/		SHEET	1/1
		MM (INCH)		SCALE	1:1

PCB LAYOUT