

184030-3 ✓ ACTIVE



AMP | Sealed Sensor Connector SSC System

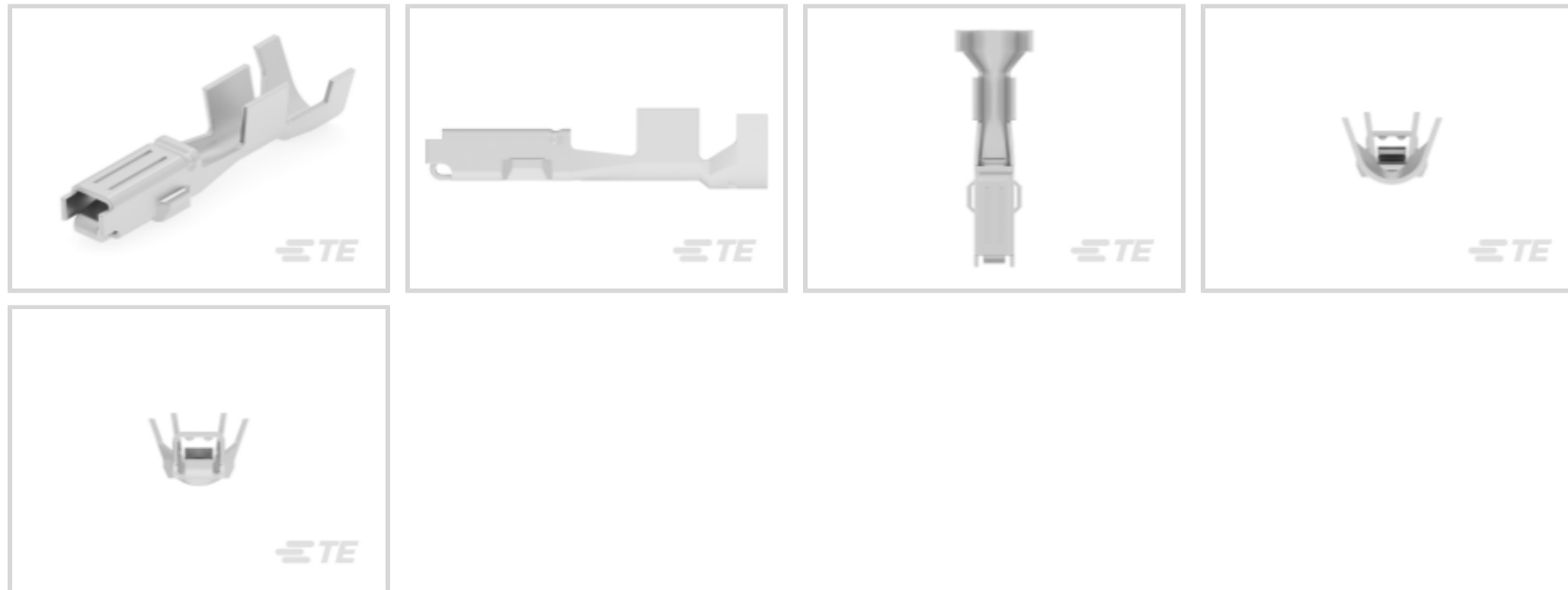
TE Internal #: 184030-3

Receptacle Terminal, 20 – 14 AWG, .5 – 2 mm² Wire, 1.8 mm [.07 in]

Tab Width, Tin (Sn), Sealable, Sealed Sensor Connector SSC System

[View on TE.com >](#)

Automotive Parts > Automotive Terminals



Terminal Type: **Receptacle**

Wire Size: **20 – 14 AWG**

Mating Tab Width: **1.8 mm [.07 in]**

Interface Plating: **Tin (Sn)**

Features

Product Type Features

Receptacle Style	180°
Primary Locking Feature	On the Terminal
Sealable	Yes

Body Features

Terminal Seal Type	Single Wire Seal (SWS)
--------------------	------------------------

Contact Features

Typical Current Rating	17 A
Crimp Type	F-Crimp
Contact Size	1.8mm
Contact Fabrication	Stamped & Formed
Wire Contact Termination Area Plating Material	Tin
Terminal Type	Receptacle
Mating Tab Width	1.8 mm[.07 in]
Interface Plating	Tin (Sn)
Mating Tab Thickness	.64 mm[.025 in]



Termination Features

Termination Method to Wire & Cable	Crimp
Product Terminates To	Wire

Dimensions

Compatible Insulation Diameter Range	1.2 – 2.7 mm [.047 – .106 in]
Wire Size	20 – 14 AWG
Wire Size Search	.5 mm ² , .6 mm ² , .8 mm ² , 1 mm ² , 1.25 mm ² , 1.5 mm ² , 2 mm ²

Usage Conditions

Insulation Option	Uninsulated
Operating Temperature (Max)	125 °C [257 °F]
Operating Temperature Range	-40 – 125 °C [-40 – 257 °F]

Operation/Application

Compatible With Wire Base Material	Copper
------------------------------------	--------

Industry Standards

Compatible With Agency/Standards Products	SAE/USCAR-2
---	-------------

Packaging Features

Packaging Method	Package
Packaging Quantity	6000

Other

Terminal Transmits	0 – 24 A (Low Power)
--------------------	----------------------

Product Compliance

[For compliance documentation, visit the product page on TE.com>](#)

EU RoHS Directive 2011/65/EU	Compliant
EU ELV Directive 2000/53/EC	Compliant
China RoHS 2 Directive MIIT Order No 32, 2016	有害物质含量符合标准要求 No Restricted Substance(s) Above Threshold
EU REACH Regulation (EC) No. 1907/2006	Current ECHA Candidate List: JUNE 2025 (250) Candidate List Declared Against: JUNE 2025 (250) Does not contain REACH SVHC
Halogen Content	Low Halogen - Br, Cl, F < 900 ppm per

homogenous material. Also BFR/CFR/PVC Free

Solder Process Capability

Not reviewed for solder process capability

Product Compliance Disclaimer

This information is provided based on reasonable inquiry of our suppliers and represents our current actual knowledge based on the information they provided. This information is subject to change. The part numbers that TE has identified as EU RoHS compliant have a maximum concentration of 0.1% by weight in homogenous materials for lead, hexavalent chromium, mercury, PBB, PBDE, DBP, BBP, DEHP, DIBP, and 0.01% for cadmium, or qualify for an exemption to these limits as defined in the Annexes of Directive 2011/65/EU (RoHS2). Finished electrical and electronic equipment products will be CE marked as required by Directive 2011/65/EU. Components may not be CE marked. Additionally, the part numbers that TE has identified as EU ELV compliant have a maximum concentration of 0.1% by weight in homogenous materials for lead, hexavalent chromium, and mercury, and 0.01% for cadmium, or qualify for an exemption to these limits as defined in the Annexes of Directive 2000/53/EC (ELV). Regarding the REACH Regulation, the information TE provides on SVHC in articles for this part number is based on the latest European Chemicals Agency (ECHA) 'Guidance on requirements for substances in articles' posted at this URL: <https://echa.europa.eu/guidance-documents/guidance-on-reach>

Compatible Parts



TE Part # 184212-2
2 POS. PLUG ASSY, KEY A NATURAL



TE Part # 184326-1
2X2 PLG ASY KEY H C4 NAT



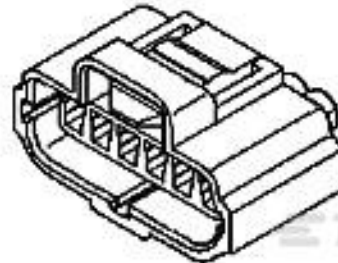
TE Part # 184038-1
3 POS. PLUG ASSY, KEY D



TE Part # 184240-1
1 POS. PLUG ASSY, KEY B



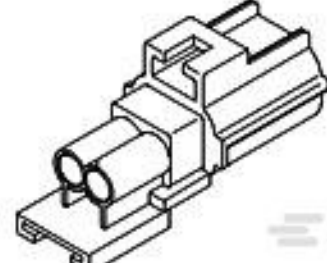
TE Part # 184132-1
6 POS/4 CIRC PLUG ASSY, KEY B



TE Part # 184313-1
6 POS/5 CIRC. PLUG ASSY, KEY A



TE Part # 184435-1
1 X 3 PLUG ASSY KEY A-C4



TE Part # 184161-1
2 POS., END CAP HSG., KEY L



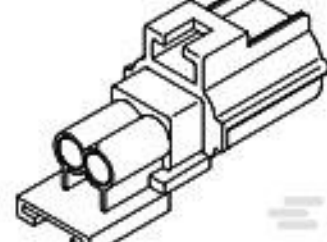
TE Part # 184195-1
3 POS. CAP HSG., KEY D



TE Part # 184157-1
2 POS. END CAP HSG., KEY G



TE Part # 184218-1
2 POS. PLUG ASSY, KEY D



TE Part # 184158-1
2 POS. END CAP HSG., KEY H



TE Part # 184404-1
2X2 PLUG HSG, G KEY, CLASS 3,



TE Part # 184250-1
4P,2X2 PLUG ASSY W/O SLOT,KEYB



TE Part # 184008-1
2 POS. PLUG ASSY, KEY E, BLACK



TE Part # 184176-1
2 POS. END CAP ASSY., KEY A



TE Part # 7-2266014-7
OCEAN_2.0_SPARE_PART_KIT-090F1400



TE Part # 2289050-1
1 POS. PLUG ASSY, KEY A, HIGH TEMP 150C

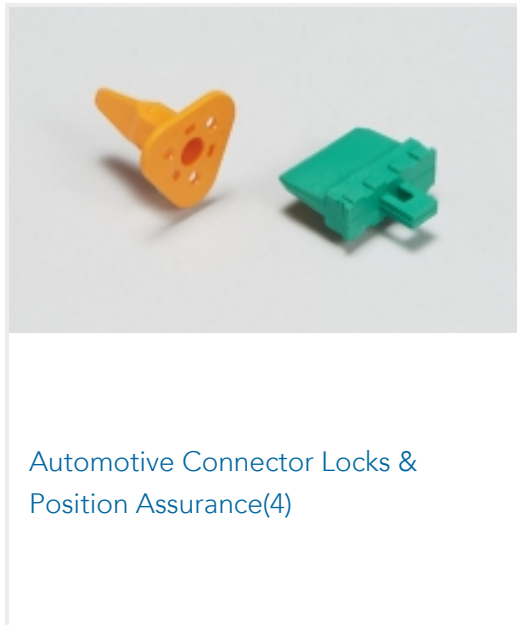


TE Part # 184050-2
4 POS. PLUG ASSY, KEY C, GRAY

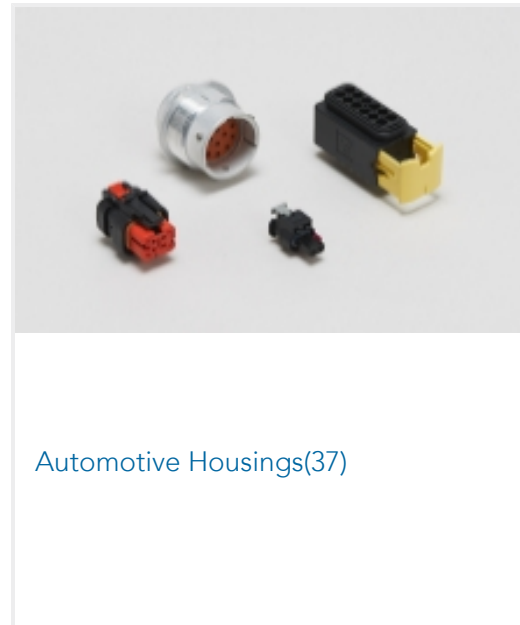


TE Part # 184151-1
2 POS. END CAP HSG., KEY A

Also in the Series | **Sealed Sensor Connector SSC System**



Automotive Connector Locks & Position Assurance(4)



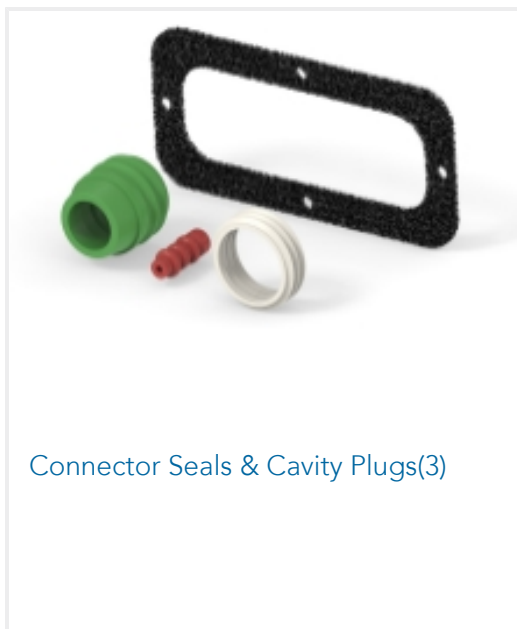
Automotive Housings(37)



Automotive Seals & Cavity Plugs(3)



Automotive Signal & Power Connector Housings(36)



Connector Seals & Cavity Plugs(3)

Customers Also Bought



TE Part #184000-1
2 POS. PLUG ASSY, KEY A, BLACK



TE Part #184004-1
2 POS. PLUG ASSY, KEY C, BLACK



TE Part #184032-1
3 POS. PLUG ASSY, KEY A



TE Part #1419168-7
MARKET 1X6 FEMALE SEALED



Documents

Product Drawings

[RECPT, CONTACT 070, PTPPHBZ](#)

English

CAD Files

[3D PDF](#)

English

Customer View Model

[ENG_CVM_184030-3_G.2d_dxf.zip](#)

English

Customer View Model

[ENG_CVM_184030-3_G.3d_igs.zip](#)

English

Customer View Model

[ENG_CVM_184030-3_G.3d_stp.zip](#)

English

By downloading the CAD file I accept and agree to the [Terms and Conditions](#) of use.

Product Specifications

[Application Specification](#)

English