

# LUMAWISE LED HOLDERS

## LED Holder for Citizen CLL

The TE Solderless LED Socket, Type CL is a small, low profile, flexible LED holder that provides a quick and easy solderless connection to the CITIZEN ELECTRONICS CO. CLL array family. This low cost, straight forward design provides reliable power connection, mechanical attachment and proper thermal hold down force necessary for the LED array. The Solderless LED Socket, Type CL is available as a two piece corner configuration and as a one piece assembled unit. It is configured specifically for the CL array to ease handling and reduce assembly time. TE's Type CL socket allows the direct attachment of LEDs to a heat sink using a standard screw, making designs more reliable, easier to user, and faster to market.

### APPLICATIONS

- Downlights
- Spotlights
- High Bay lighting
- Overhead fixtures
- Area lighting

### ELECTRICAL

- Current rating: 3.0A
- Voltage rating: 250 VDC
- UL and CSA recognized component (cUR) for use in UL8750, UL1598 applications
- IEC 60838-1 & IEC 61984 compliant
- Japan Electrical Appliance and Material Safety Law compliant (Pending)

### MECHANICAL

- Operating temperature range to 105°C without thermal pressure degradation
- Utilize a screw size of #4 or M3 for attachment
- Poke-in style electrical contacts supporting 18-22AWG solid, 18-20AWG fused, and 18AWG stranded 300V rated wire

### SPECIFICATIONS

- Application Specification: [114-32043](#)
- Product Specification: [108-133005](#)
- Product drawing: [2154857](#) (2 piece)  
[2154874](#) (1 piece)

### FEATURES

- Available in two piece configuration or one piece assembled unit configured to the specific CLL and L array to ease handling and reduce assembly time
- Optional metal thermal spring enhances pressure on heat sink for a variety of TIMs without damage to ceramic substrates
- Housing design minimizes obstructed light output from LED
- White lighting grade materials with high reflectivity properties
- Guide posts for easy location and alignment on heatsink
- Access to COB temperature test point
- Access to view the LED polarity indicators printed on the LED
- Rounded corners to minimize shadowing
- Optical keep out zone and landing area for secondary optics

### MATERIALS

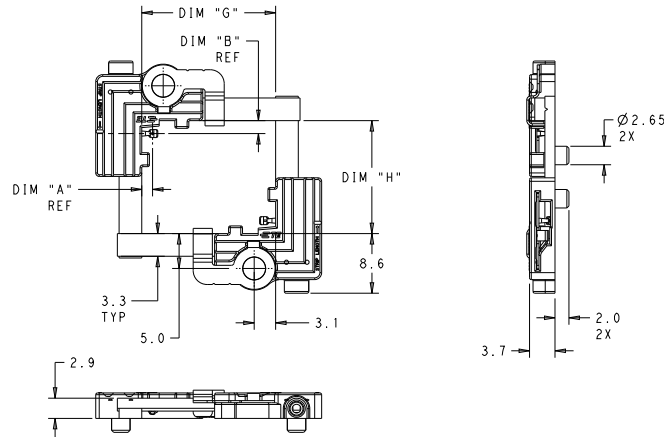
- UV resistant materials and high quality metal alloys and plating for long term stability and reliability during 50,000 hours of normal usage
- UL 94V-0 flammability rating

### PRODUCT OFFERING

- 1 piece version for:
  - CITIZEN CLL02x [6-2154874-1](#)
  - CITIZEN CLL03x [6-2154874-2](#)
  - CITIZEN CLL04x [6-2154874-3](#)
  - CITIZEN CLL05x [6-2154874-4](#)
- 2 piece version for:
  - CITIZEN CLL02x [2-2154857-1](#)
  - CITIZEN CLL03x [2-2154857-1](#)
  - CITIZEN CLL04x [2-2154857-2](#)
  - CITIZEN CLL05x [2-2154857-2](#)

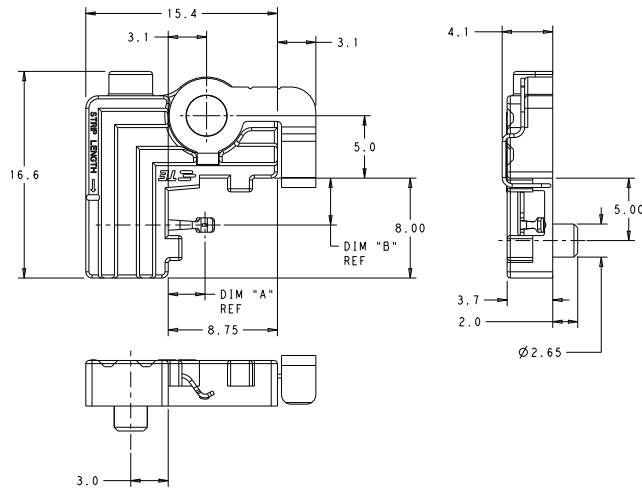
# LUMAWISE LED Holders

## ONE PIECE VERSION



For LED	Thermal Spring	Dim. H	Dim. G	Dim. B	Dim. A	Contact Plating	Part Description
CITIZEN CLL02x	Yes	13.80	13.80	1.85	1.55	Gold over Nickel	<a href="#">6-2154874-1</a>
CITIZEN CLL03x	Yes	19.30	19.30	1.85	1.55	Gold over Nickel	<a href="#">6-2154874-2</a>
CITIZEN CLL04x	Yes	28.30	28.30	2.26	2.00	Gold over Nickel	<a href="#">6-2154874-3</a>
CITIZEN CLL05x	Yes	38.30	38.30	2.26	2.00	Gold over Nickel	<a href="#">6-2154874-4</a>

## TWO PIECE VERSION



For LED	LED Dimension	Dim. C	Dim. D	Dim. E	Dim. F	Part Description
CITIZEN CLL02x	13.5 x 13.5	3.80	11.90	1.90	9.90	<a href="#">2-2154857-1</a>
CITIZEN CLL03x	19.0 x 19.0	6.55	14.65	4.65	12.65	<a href="#">2-2154857-1</a>
CITIZEN CLL04x	28.0 x 28.0	11.05	19.15	9.15	17.15	<a href="#">2-2154857-2</a>
CITIZEN CLL05x	38.0 x 38.0	16.05	24.15	14.15	22.15	<a href="#">2-2154857-2</a>

## Connect With Us

We make it easy to connect with our experts and are ready to provide the support you need.

Visit [te.com/support](https://te.com/support) to chat with a Product Information Specialist.

## [te.com/lumawise-led-holders](https://te.com/lumawise-led-holders)

LUMAWISE, TE Connectivity, TE, TE connectivity (logo) and EVERY CONNECTION COUNTS are trademarks owned or licensed by the TE Connectivity plc family of companies. All other logos, products and/or company names referred to herein might be trademarks of their respective owners.

While TE has made every reasonable effort to ensure the accuracy of the information in this document, TE does not guarantee that it is error-free, nor does TE make any other representation, warranty or guarantee that the information is accurate, correct, reliable or current. TE reserves the right to make any changes to the information contained herein without prior notice. TE Connectivity's obligations shall only be as set forth in TE Connectivity's Standard Terms and Conditions of Sale for this product and in no case will TE Connectivity be liable for any incidental, indirect, or consequential damages arising out of the sale, resale, use, or misapplication of the product. TE expressly disclaims any implied warranties with respect to the information contained herein, including, but not limited to, implied warranties of merchantability or fitness for a particular purpose. Dimensions, specifications and/or information contained herein are for reference purposes only and are subject to change without notice. Consult TE for the latest dimensions, specifications and/or information. Users of TE Connectivity products must make their own assessment as to whether the respective product is suitable for the respective desired application.

©2025 TE Connectivity. All Rights Reserved.

11-25