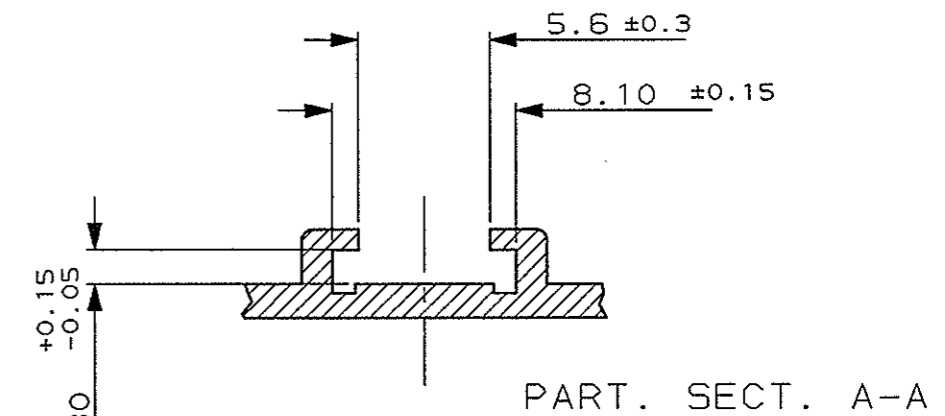
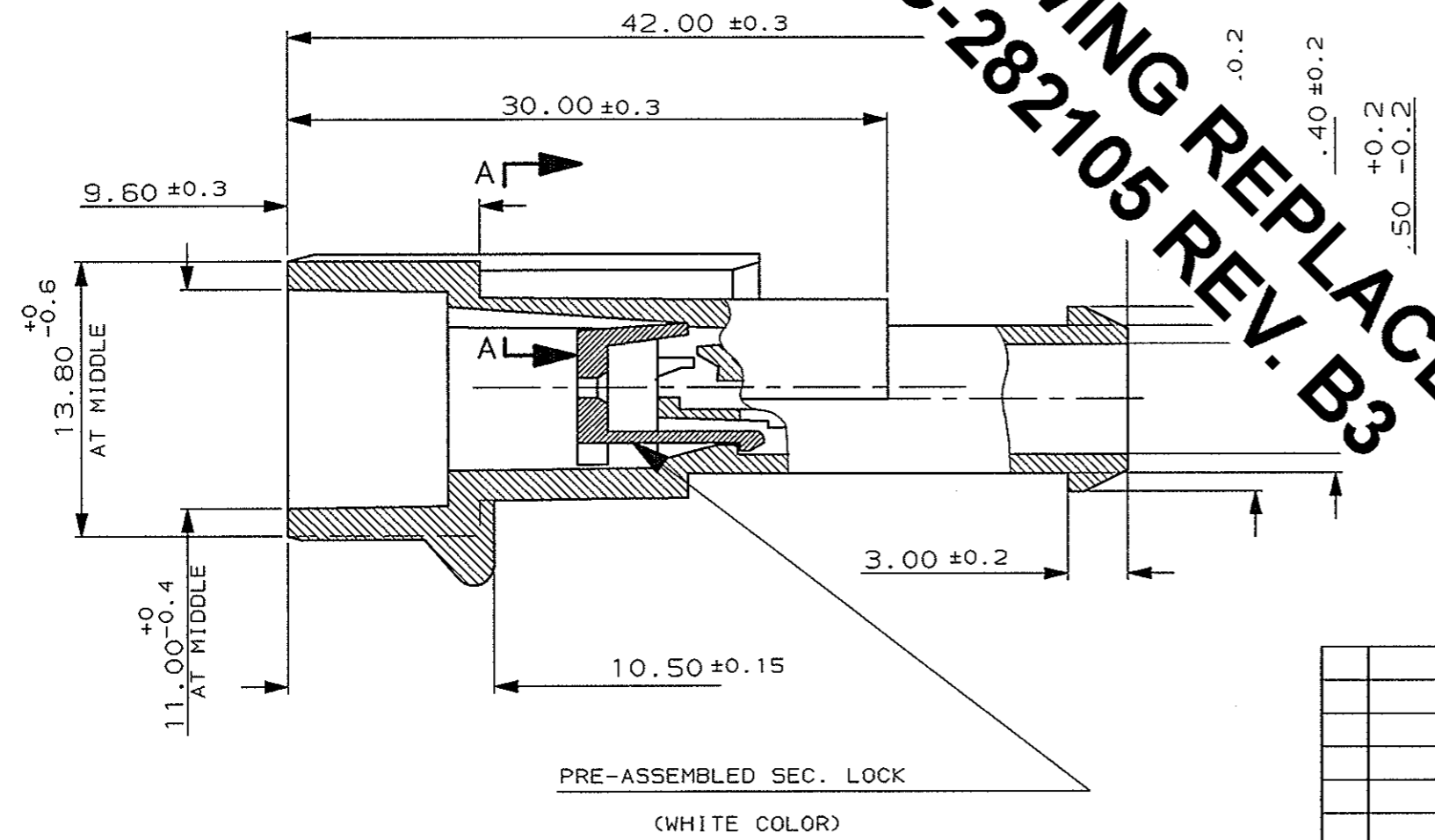
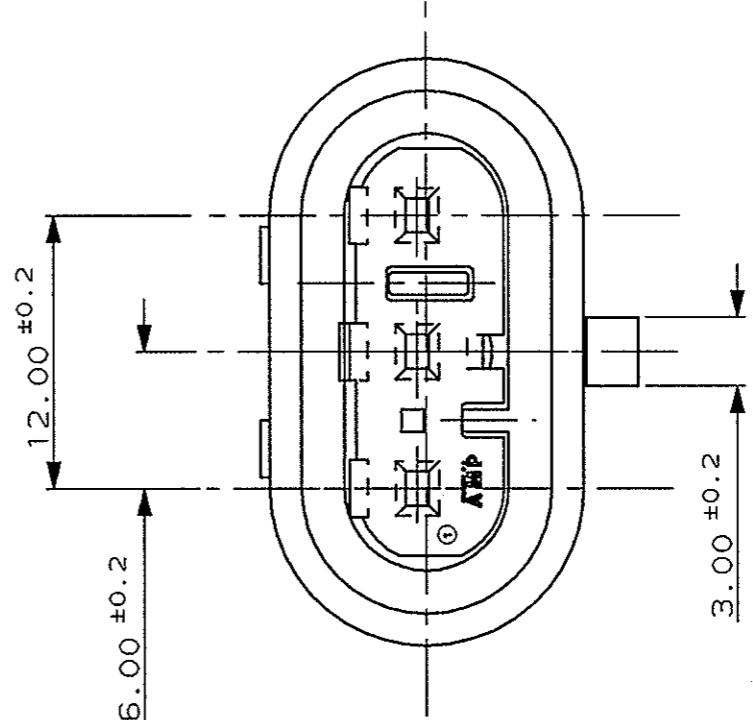
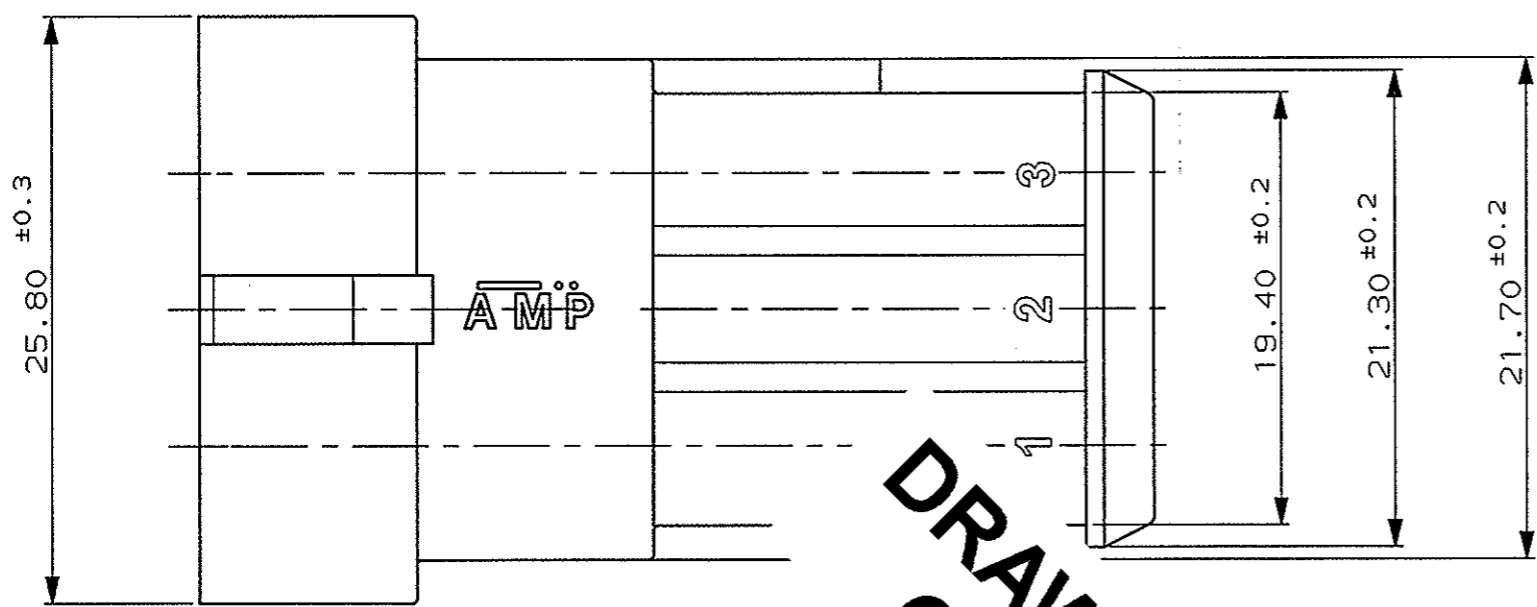


SCALA NON IMPEGNATIVA
(DO NOT SCALE)
DIMENSIONI IN
(DIMENSIONS IN) mm

METRIC

PROIEZIONE EUROPEA
(EUROPEAN PROJECTION)



DRAWING REPLACED BY
C-282105 REV. B3

PRE-ASSEMBLED SEC. LOCK
(WHITE COLOR)

BIANCO (WHITE)	PA 6.6 - GF20% ACC.TO IEC 60335-1	1745082-1
FINITURA / COLORE (FINISH / COLOUR)	MATERIALE (MATERIAL)	NUMERO (PART NUMBER)

CUSTOMER DWG. FOR REFERENCE ONLY DISEGNO PER CLIENTE SOLO PER RIFERIMENTO

THIS DRAWING IS UNPUBLISHED RELEASE FOR PUBLICATION 19

© COPYRIGHT 19 BY AMP INCORPORATED, HARRISSBURG, PA. ALL INTERNATIONAL RIGHT RESERVED. AMP PRODUCTS MAY BE COVERED BY U.S. AND FOREIGN PATENT AND/OR PATENT PENDING

TOLLERANZE: SE NON DIVERSAMENTE SPECIFICATO (TOLERANCES: UNLESS OTHERWISE SPECIFIED)	DIAM. ISOLANTE (INS. DIA. RANGE)	RANGO FILO (WIRE RANGE)	SCALA (SCALE)
± 0.3	-	-	-

ANGOLI (ANGLES) ± 2°

DIS. M. PALMA (OR.) 10-4-2006 DESCRIZIONE (DESCRIPTION) 3 POS TAB ASS'Y

A2	DRAWING REPLACED (ECO-17-009774)	M.G.	06SEP 2017
A1	RELEASED FOR PRODUCTION (ECR-06-028933)	M.G.	18-12 06
A	FIRST ISSUE	M.P.	10-4 06
REV. (REV. DATE)	REVISIONI (REVISION RECORD)	DIS. DATA (OR DATE)	

CONT. R. MARTINI (CHK) 10-4-2006	AMP SUPERSEAL 1.5 SERIES CONNECTORS
APP. A. GENTA (APP.) 10-4-2006	LOC. SIZE NUMERO (DWG NO)
I A3	C-1745082
A2	REV. FOGLIO (SHEET) 1 DI (OF) 1

DISTRIBUZIONE (PRINT DIST.)