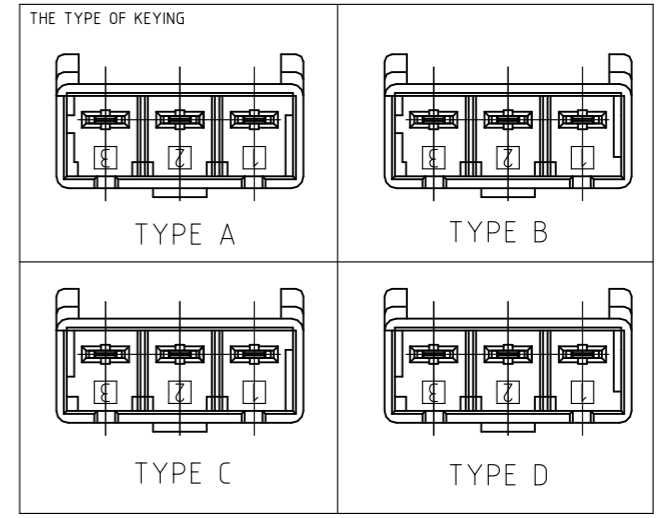
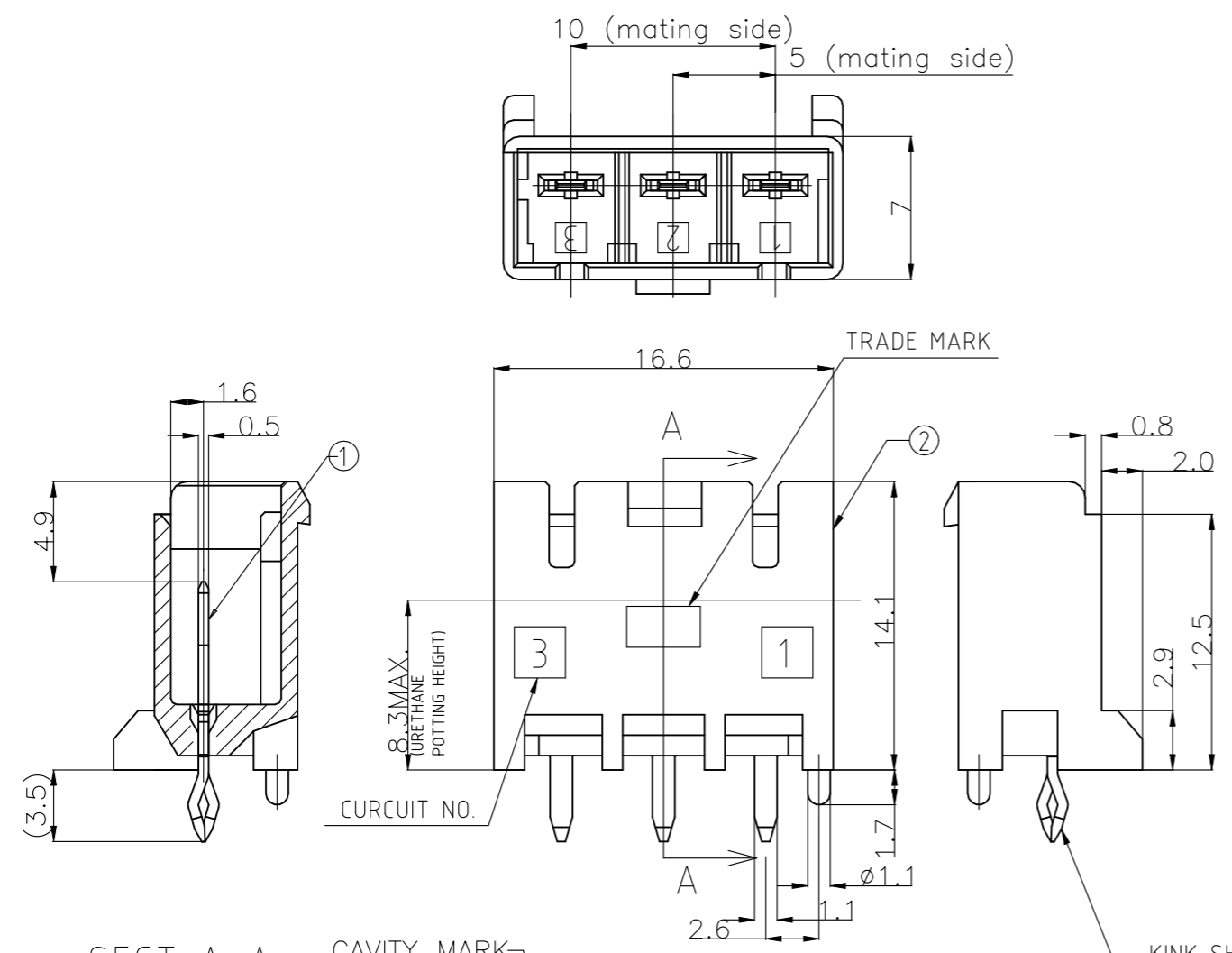


THIS DRAWING IS UNPUBLISHED. RELEASED FOR PUBLICATION  
 © COPYRIGHT - Tyco Electronics JAPAN G.K. ALL RIGHTS RESERVED.

P	LTR	DESCRIPTION	DATE	DWN	APVD
	H3	REVISED PER ECR-22-126744	20JAN2022	KS	DZ

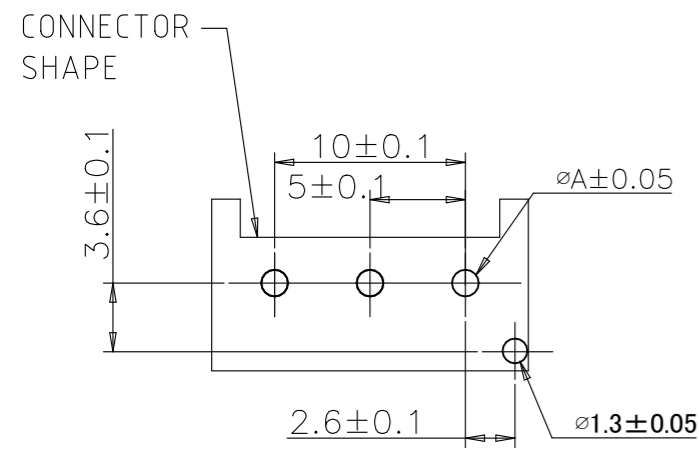


NO.	NAME	MATERIAL
②	HEADER HOUSING	6/6 NYLON GRASS FILLED/ NYLON 6
①	TAB	COPPER ALLOY TIN PLATED

SECT A-A

CAVITY MARK

KINK SHAPE:  
 WITHOUT KINK IS  
 STRAIGHT SHAPE  
 OF TINE.



- ① RECOMMENDED P.C.B LAY OUT
- ② APPLICABLE P.C.B. THICKNESS:1.6
- ③ MATING CONN. P/N PLUG HOUSING :SEE TABLE
- ④ PARTS COMPLY WITH GLOW WIRE REQUIREMENT FOR PARTS OF NON-METALLIC MATERIAL SUPPORTING A CURRENT-CARRYING CONNECTION DETAILED IN IEC 60335-1, SECTION 30 (GWT).
- ⑤ NYLON 6, GWT, V-2.
- ⑥ NYLON 66, GWT, V-0.
- ⑦ HIGH CURRENT RATING VERSION.

⑦/⑥	1-1376389-2	WITH KINK	TYPE B	RED	3Pos	1-1376383-6
⑦/⑥	1376389-1	WITH KINK	TYPE A	NATURAL	3Pos	1376383-6
⑤	1376389-5	WITH KINK	TYPE A	NATURAL	3Pos	1376383-5
⑥	3-1376389-4	WITHOUT KINK	TYPE D	YELLOW	3Pos	8-1376383-4
⑥	2-1376389-3	WITHOUT KINK	TYPE C	BLUE	3Pos	7-1376383-3
⑥	1-1376389-2	WITHOUT KINK	TYPE B	RED	3Pos	6-1376383-2
⑥	1376389-1	WITHOUT KINK	TYPE A	NATURAL	3Pos	5-1376383-1
⑥	3-1376389-4	WITH KINK	TYPE D	YELLOW	3Pos	3-1376383-4
⑥	2-1376389-3	WITH KINK	TYPE C	BLUE	3Pos	2-1376383-3
⑥	1-1376389-2	WITH KINK	TYPE B	RED	3Pos	1-1376383-2
⑥	1376389-1	WITH KINK	TYPE A	NATURAL	3Pos	1376383-1

MATING CONN. P/N	WITH/WITHOUT KINK	TYPE OF KEYING	Color	Pos	PART NO.
③					

THIS DRAWING IS A CONTROLLED DOCUMENT.

DWN	A.OISHI	28AUG'00
CHK	Y.KASHIWA	28AUG'00
APVD	Y.KASHIWA	28AUG'00
PRODUCT SPEC	108-5699	
APPLICATION SPEC	114-5292	
WEIGHT	-	

**STE** TE Connectivity

5.0 POWER KEY CONNECTOR  
 3P HEADER ASSEMBLY

SIZE	CAGE CODE	DRAWING NO	RESTRICTED TO
A3	00779	C-1376383	-

CUSTOMER DRAWING SCALE 3:1 SHEET 1 OF 1 REV H3

PUNCHING	1.25
DRILLING	1.4
	DIM A

① RECOMMENDED PCB HOLES