

6

5

4

3

2

1

D

D

C

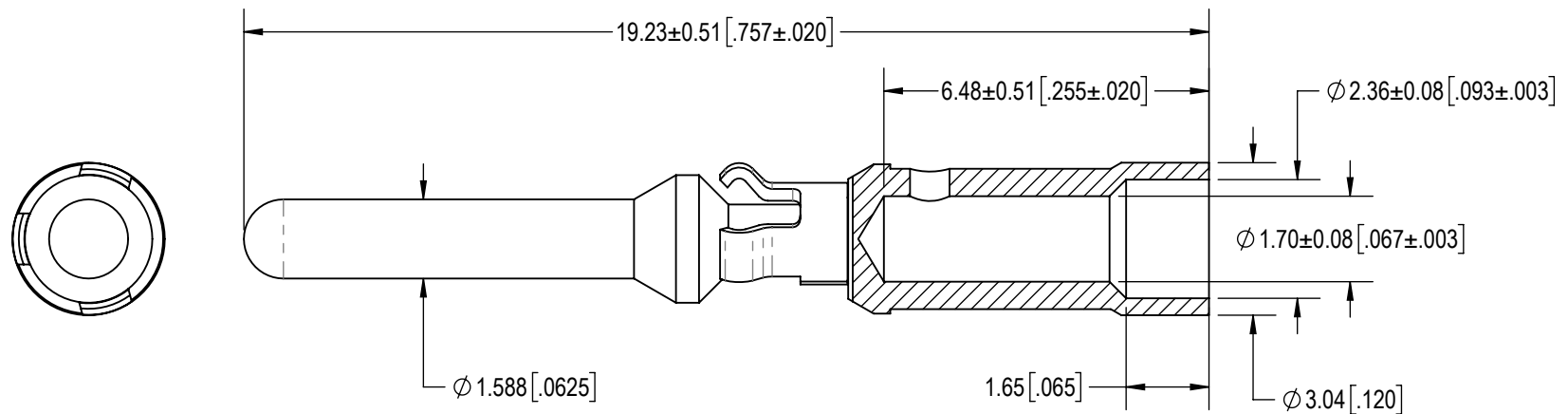
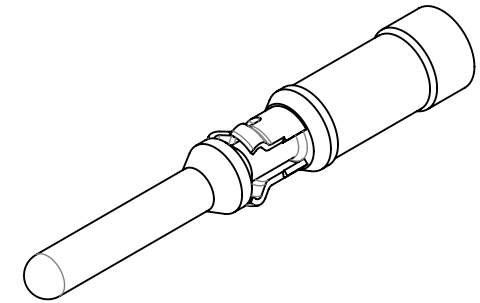
C

B

B

A

A

**NOTES:**

- MATERIAL AND FINISHES:
CONTACT: PRECISION MACHINED COPPER ALLOY WITH GOLD FLASH OVER NICKEL PLATE.
RETAINER: BERYLLIUM COPPER, NICKEL PLATE.
- DETAILED PRODUCT, ELECTRICAL AND MECHANICAL INFORMATION IS AVAILABLE IN THE LATEST PCS PRODUCT PUBLICATION AT CONNECTPOSITRONIC.COM.
- CRIMPING TOOL INFORMATION IS AVAILABLE AT WWW.CONNECTPOSITRONIC.COM/CrimpToolCrosslist.
- CONTACT IS COMPLIANT TO THE CURRENT RoHS DIRECTIVE.

BY APG	CHK KDV	3RD ANGLE 	POSITRONIC BELIEVES THE DATA ON THE DRAWING TO BE RELIABLE. THE USER EMPLOYS SUCH INFORMATION AT HIS OWN DISCRETION AND RISK. POSITRONIC ASSUMES NO RESPONSIBILITY FOR RESULTS OBTAINED OR DAMAGES INCURRED FROM USE OF SUCH INFORMATION IN WHOLE OR IN PART.	 Positronic® CONNECTPOSITRONIC.COM
APR PA	RELEASED DATE: 2020-02-19	SCALE NTS		
TOLERANCES +0.03mm [.001 INCHES] FOR MALE CONTACT MATING DIAMETERS +0.08mm [.003 INCHES] FOR CONTACT TERMINATION DIAMETERS +0.13mm [.005 INCHES] FOR ALL OTHER DIAMETERS +0.38mm [.015 INCHES] FOR ALL OTHER DIMENSIONS +5° FOR ALL ANGLES DIMENSION ARE IN MILLIMETERS [INCHES]		PART NUMBER MC116N/AA	SERIES PCS	
TITLE MC116N/AA		CREATED ON: 2019-02-23	SHEET SHEET 1 OF 1	REV C

6

5

4

3

2

1