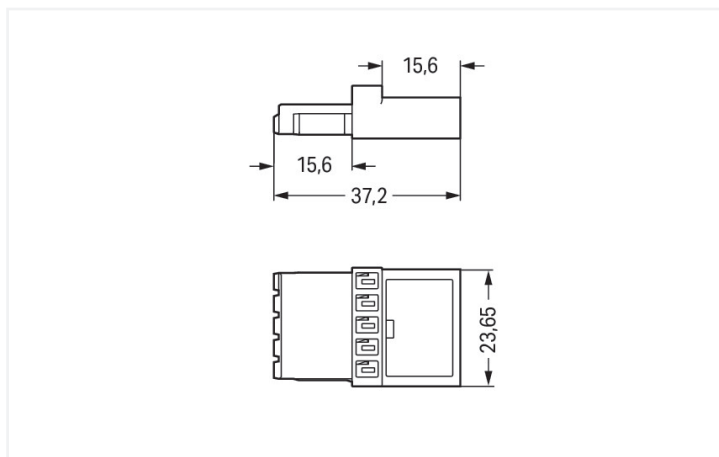




Color: ■ white



Dimensions in mm

Distribution connector *WINSTA*® MINI A coding

The *WINSTA*® MINI distribution connector 5-pole allows installation of fine-stranded and solid conductors. WAGO pluggable installation connectors can be used when criteria repeat or are distributed on a specific grid, for example for installing grid lighting or flush-mount lighting. The color coding and mechanical coding of the pluggable installation connector ensure error-free installation of the individual components – including protection against mismatching. The *WINSTA*® MINI pluggable installation connector with A coding in black or white is usually used for general mains applications in power distribution. Thanks to its particularly minimal dimensions, our *WINSTA*® MINI Pluggable Connection System with Push-in CAGE CLAMP® spring pressure connection technology is specifically suitable in very restricted spaces, i.e., for connections when very little room is available.

Lower costs through fast commissioning and elimination of service expenses – solutions from *WINSTA*® MINI

The *WINSTA*® Pluggable Connection System allows pluggable electrical installation. This saves time, lowers costs, and reduces the need for servicing. Now you can also cut installation costs without compromising quality and safety: with protection type IP20 reduces the need for servicing and prevents unnecessary downtime.

- effective protection against mismatching
- compact design for conductors with a cross-section up to 1.5 mm²
- with A coding for a large number of applications
- flexible installation to save space
- convenient installation and commissioning

Notes

| | |
|------|---|
| Note | At least one snap-in connector WITHOUT a locking lever is required on one side when connecting two lights directly via intermediate coupler. |
|------|---|

Electrical data

| Ratings per | IEC/EN 60664-1 | | | Approvals per | UL 1977 |
|---------------------------------|----------------|-----|----|---------------|---------|
| Overvoltage category | III | III | II | Rated voltage | 600 V |
| Pollution degree | 3 | 2 | 2 | Rated current | 12 A |
| Nominal voltage | 400 V | - | - | | |
| Rated impulse withstand voltage | 6 kV | - | - | | |
| Rated current | 13 A | - | - | | |

General information

| | |
|----------------------------|--|
| Note on contact resistance | approx. 1 mΩ of contact resistance approx. 0.25 mΩ contact transition plug/ socket |
|----------------------------|--|

Connection Data

| | | |
|----------------------------|---|---------------------|
| Total number of potentials | 5 | Connection 1 |
| | | Pole number |
| | | 5 |

Physical data

| | |
|-------------|-------------------------|
| Pin spacing | 4.4 mm / 0.173 inches |
| Width | 23.65 mm / 0.931 inches |
| Height | 10.5 mm / 0.413 inches |
| Depth | 37.2 mm / 1.465 inches |

Mechanical data

| | |
|---|--|
| Use | General mains applications |
| Coding | A |
| Variable coding | No |
| Marking | plain |
| Mating force of a plug-in connection | Approx. 20 ... 70 N (depending on pole number) |
| Retention force of a plug-in connection | When locked: > 80 N |
| Unmating force of a plug-in connection | Unlocked: approx. 20 ... 70 N (depending on pole number) |
| Number of mating cycles | 200, without resistive load |
| Type of distribution box | Intermediate coupler |
| Protection type | IP20; IP40 when mated |

Plug-in connection

| | |
|-------------------------------|--|
| Mismating protection | Yes |
| Note on mismating protection | All WINSTA® components are 100% protected against mismating when: a.) plugging different numbers of poles b.) plugging while rotated 180 c.) plugging while laterally staggered d.) plugging one pole |
| Locking lever | No |
| Locking of plug-in connection | Locking lever |
| Note on locking system | All connectors for mounted installations (snap-in versions for lighting fixtures or devices, all types of PCB and distribution connectors) are factory-equipped with locking levers to ensure plugs and sockets are securely locked. Additional locking levers are only required for flying leads (plug/socket). |

Material data

| | |
|------------------------------------|--|
| Note (material data) | Information on material specifications can be found here |
| Color | white |
| Insulation material (main housing) | Polyamide (PA66) |
| Flammability class per UL94 | V0 |
| Contact material | Copper or copper alloy; surface-treated |
| Contact Plating | Tin |
| Fire load | 0.08 MJ |
| Weight | 5.8 g |

Environmental requirements

| | |
|--|--|
| Processing temperature | -5 ... +40 °C |
| Continuous operating temperature | -35 ... +85 °C |
| Note on continuous operating temperature | Insulating parts for temperatures ≤ 105 °C |

Commercial data

| | |
|-----------------------|---------------|
| Product Group | 20 (Winsta) |
| PU (SPU) | 50 pcs |
| Packaging type | Box |
| Country of origin | PL |
| GTIN | 4050821295464 |
| Customs tariff number | 85366990990 |

Product Classification

| | |
|-------------|----------------------|
| UNSPSC | 39121421 |
| eCl@ss 10.0 | 27-44-06-03 |
| eCl@ss 9.0 | 27-44-06-03 |
| ETIM 9.0 | EC002567 |
| ETIM 10.0 | EC002567 |
| ECCN | NO US CLASSIFICATION |

Environmental Product Compliance

| | |
|------------------------|-------------------------|
| RoHS Compliance Status | Compliant, No Exemption |
|------------------------|-------------------------|

Approvals / Certificates

General approvals



| Approval | Standard | Certificate Name |
|--|-----------|------------------|
| CCA DEKRA Certification B.V. | EN 61535 | 71-123231 |
| CCA DEKRA Certification B.V. | IEC 61535 | NL-85020 |
| cURus Underwriters Laboratories Inc. | UL 1977 | E45171 |

Declarations of conformity and manufacturer's declarations

| Approval | Standard | Certificate Name |
|---|----------|------------------|
| EU-Declaration of Confor- mity WAGO GmbH & Co. KG | - | - |
| UK-Declaration of Confor- mity WAGO GmbH & Co. KG | - | - |

Approvals for marine applications



| Approval | Standard | Certificate Name |
|---|--------------------|-------------------|
| ABS American Bureau of Ship- ping | Steel Vessel Rules | 24-0095973-PDA |
| DNV GL Det Norske Veritas, Ger- manischer Lloyd | - | TAE00001Z6 |
| LR Lloyds Register | EN 61535 | 08/20047 (E2) |
| PRS Polski Rejestr Statków | - | TE/1096/880590/23 |

Downloads

Environmental Product Compliance

Compliance Search

Environmental Product
Compliance 890-655



Documentation

Bid Text

| | | | |
|---------|------------|-----------------|--|
| 890-655 | 19.02.2019 | xml 2.71 KB | |
| 890-655 | 30.11.2018 | doc 23.00 KB | |

CAD/CAE-Data

CAD data

2D/3D Models 890-655



CAE data

WSCAD Universe
890-655

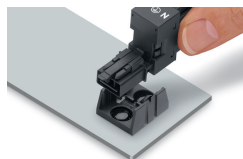


ZUKEN Portal 890-655



Installation Notes

Installation



Secure the mounting plate via pins.

Subject to changes. Please also observe the further product documentation!

Current addresses can be found at: www.wago.com