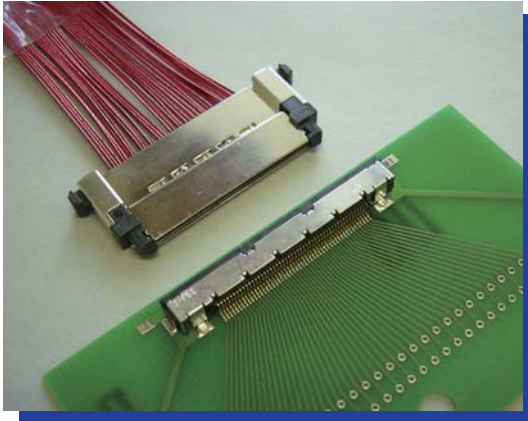


CABLIN[®]-TL

0.5mm Pitch Horizontal Type / Vertical Type



- Suitable for the LVDS / HDMI transmission in digital equipment
- Applicable for TWINCOAX, Micro Coax, DISCRETE
- Better mating with rugged guide design
- Anti-reverse mating design
- Feature to prevent buckling
- W-Point contact with High mating reliability
- Soldering connection

【Number of Position】

21p, 31p, 41p, 51p

【Ordering Code】

PLUG Connector Set (for Cable)

Parts Ordering (HOUSING)

20422-0 ** T
 ① ②

Parts Ordering (COVER B)

2453-0 ** 1
 ①

RECEPTACLE Connector Set
 (for PC Board)

20423- * ** E
 ① ② ③

【Material / Finish】

Product	Parts	Material	Plating / Color
PLUG	HOUSING	LCP UL94V-0	BLACK
	CONTACT	COPPER ALLOY	Au
	COVER A	COPPER ALLOY	Sn
	COVER B	COPPER ALLOY	Sn
RECEPTACLE	HOUSING	LCP UL94V-0	BLACK
	CONTACT	COPPER ALLOY	Au
	SHELL	COPPER ALLOY	Sn

【Applicable Cable Size】

Micro Coax	AWG #40, #36
TWINCOAX	AWG #40
DISCRETE	AWG #36, #32

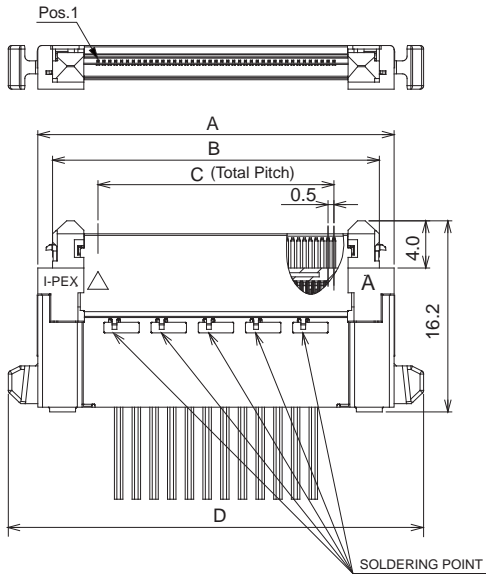
①	POS.	21: 21pos 31: 31pos 41: 41pos 51: 51pos
②	Packaging	T Tray

①	Type	H	Horizontal
		V	Vertical
②	POS.	21: 21pos 31: 31pos 41: 41pos 51: 51pos	
③	Packaging	E	Emboss Tape

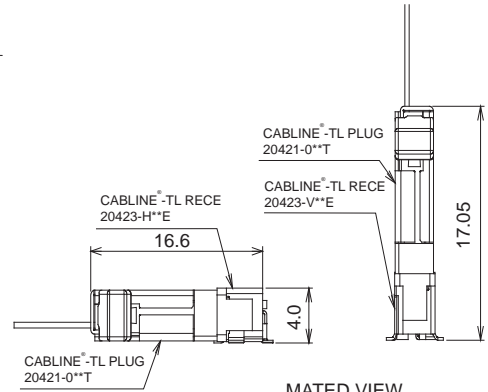
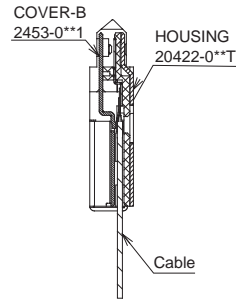
PLUG

CABLIN[®]-TL

Set P/N: 20421-0**T



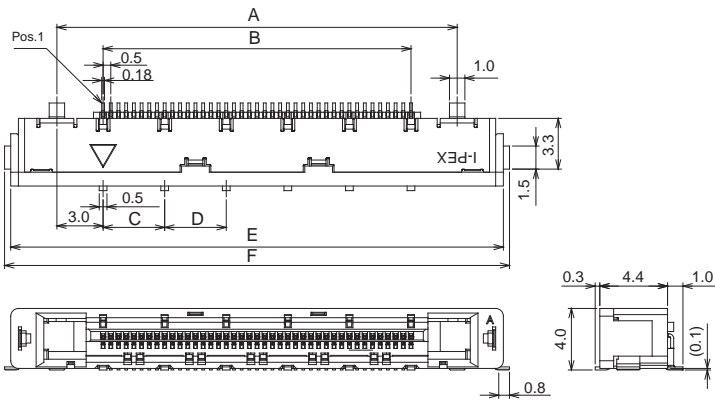
POS.	A	B	C	D
21p	20.2	17.7	10.0	25.2
31p	25.2	22.7	15.0	30.2
41p	30.2	27.7	20.0	35.2
51p	35.2	32.7	25.0	40.2



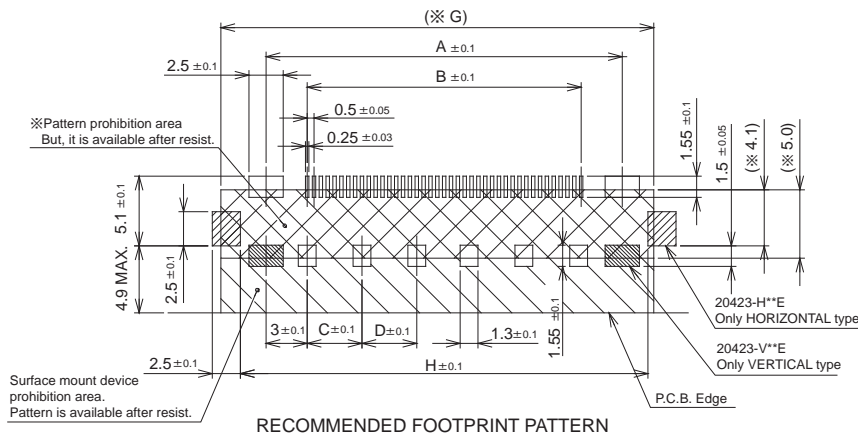
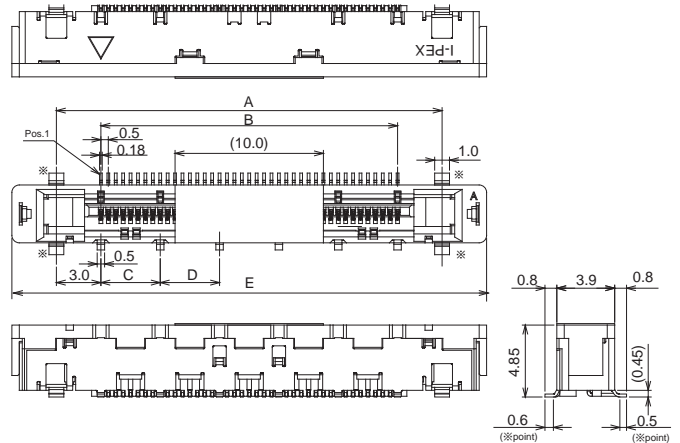
RECEPTACLE

POS.	PART NO.	A	B	C	D	E	F	G	H
21p	20423-*21E	16.0	10.0	3.0	-	22.0	22.8	21.6	19.75
31p	20423-*31E	21.0	15.0	4.0	-	27.0	27.8	26.6	24.75
41p	20423-*41E	26.0	20.0	4.0	4.0	32.0	32.8	31.6	29.75
51p	20423-*51E	31.0	25.0	5.0	5.0	37.0	37.8	36.6	34.75

HORIZONTAL type



VERTICAL type



Product design and specification is subject to change for improvement without notice in advance. Please inquire to I-PEX representative for your confirmation.