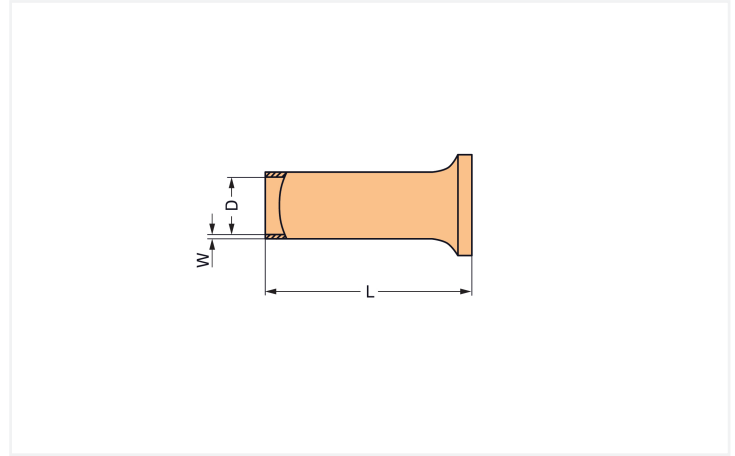


Data Sheet | Item Number: 216-123

Ferrule; Sleeve for 1 mm² / AWG 18; uninsulated; electro-tin plated; silver-colored

<https://www.wago.com/216-123>



Color: ■ silver-colored

Dimensions in mm

Connection Data

Metric cross-section of the ferrule	1 mm ²
Strip length	6 mm / 0.24 inches
Cross-section (AWG) of ferrule	18 AWG

Physical data

Total length	6 mm
Wall thickness of crimp sleeve	0.15 mm
Diameter crimp sleeve inside	1.4 mm

Mechanical data

Plastic collar	No
----------------	----

Material data

Color	silver-colored
Fire load	0 MJ
Weight	0 g

Commercial data

Product Group	2 (Terminal Block Accessories)
PU (SPU)	5000 (1000) pcs
Packaging type	Box
Country of origin	DE
GTIN	4017332277648
Customs tariff number	85369010000

Product Classification

UNSPSC	39121405
eCl@ss 10.0	27-40-02-01
eCl@ss 9.0	27-40-02-01
ETIM 9.0	EC000005
ETIM 10.0	EC000005
ECCN	NO US CLASSIFICATION

Environmental Product Compliance

RoHS Compliance Status	Compliant, No Exemption
------------------------	-------------------------

Downloads

Environmental Product Compliance

Compliance Search

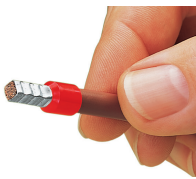
Environmental Product Compliance 216-123	↓
--	---

Documentation

Bid Text

216-123	11.09.2017	doc 24.50 KB	↓
216-123	19.02.2019	xml 2.77 KB	↓

Installation Notes



A perfect gas-tight crimp – both electrically and mechanically reliable

Subject to changes. Please also observe the further product documentation!

Current addresses can be found at: www.wago.com