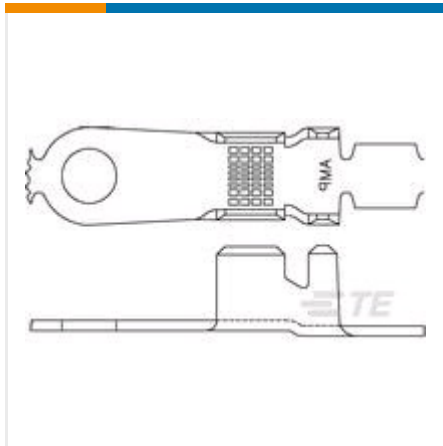




[+ TERMINALS & SPLICES](#)

[RINGS & SPADES](#)



✓ Active

TE CONNECTIVITY (TE)

RING TONGUE

[Open Barrel Rings & Spades](#) | [Open Barrel Rings & Spades](#)

881015-2

TE Internal Number: 881015-2

[EU RoHS Compliant with Exemptions](#)

[EU ELV Compliant with Exemptions](#)

Terminal Type Ring Tongue

Stud Diameter 5.3 mm [.209 in]

Insulated No

Heavy Duty No

Barrel Type Open Barrel

[↓ PRODUCT DRAWING](#)
English

[↓ 3D PDF](#)

DOCUMENTATION

Product Drawings

RING TONGUE

PDF

English

CAD Files

3D PDF

PDF

3D

Customer View Model

2D_DXF.ZIP

English

Customer View Model

3D_IGS.ZIP

English

Customer View Model

3D_STP.ZIP

English

Product Specifications

Product Specification

Crimping AMPLIVAR Ring Terminals

PDF

English

Crimping Extruded Ring Terminals

PDF

English

FEATURES



Please review product documents or [contact us](#) for the latest agency approval information.

Please Note: Use the Product Drawing for all design activity.

Product Type Features

Insulated No

Barrel Type Open Barrel

Wire/Cable Type Regular Wire

Insulated Wire Support Yes

Body Features

Plating Material Tin

Body Style AMPLIVAR

Contact Features

Terminal Type Ring Tongue

Dimensions

Stud Diameter 5.3 mm [.209 in]

Overall Length 29.16 mm [1.148 in]

Operation/Application

Heavy Duty No

Packaging Features

Packaging Method Reel

Packaging Quantity 2500

Statement of Compliance

Statement of Compliance

PDF