

6

5

4

3

2

1

D

D

C

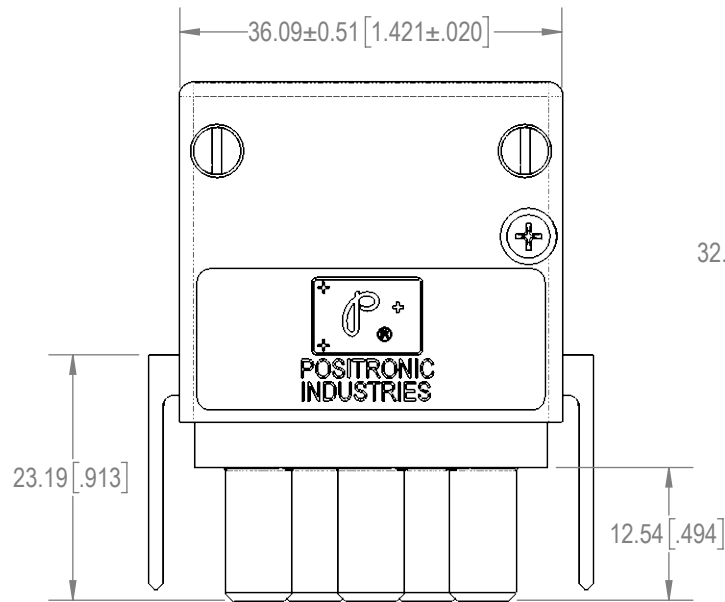
C

B

B

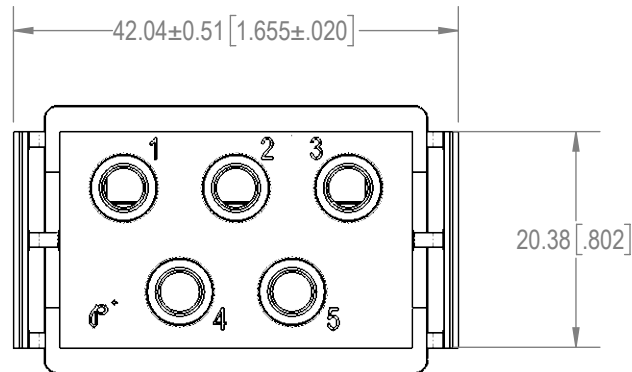
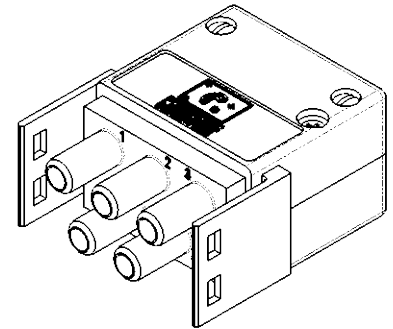
A

A



32.00±0.51 [1.260±.020]

25.15±0.51 [.990±.020]

**NOTES:**

- MATERIAL AND FINISHES:**  
 INSULATOR: GLASS FILLED POLYESTER, UL 94V-0, COLOR: BLUE.  
 HOOD: GLASS FILLED POLYESTER, UL 94V-0, COLOR: BLUE.  
 HOOD SCREWS AND CABLE CLAMP SCREWS: STEEL, ZINC PLATE WITH CHROMATE SEAL.  
 CABLE CLAMP: STEEL, NICKEL PLATE.
- DETAILED PRODUCT, MECHANICAL AND ELECTRICAL INFORMATION IS AVAILABLE IN THE LATEST POWER CONNECTION SYSTEMS PRODUCT PUBLICATION AT [CONNECTPOSITRONIC.COM](http://CONNECTPOSITRONIC.COM).

BY ND	CHK SBM	3RD ANGLE 	POSITRONIC BELIEVES THE DATA ON THE DRAWING TO BE RELIABLE. THE USER EMPLOYS SUCH INFORMATION AT HIS OWN DISCRETION AND RISK. POSITRONIC ASSUMES NO RESPONSIBILITY FOR RESULTS OBTAINED OR DAMAGES INCURRED FROM USE OF SUCH INFORMATION IN WHOLE OR IN PART.	
APR AB	RELEASED DATE: 2022-10-07	SCALE NTS		
TOLERANCES ±0.03mm [.001 INCHES] FOR MALE CONTACT MATING DIAMETERS ±0.08mm [.003 INCHES] FOR CONTACT TERMINATION DIAMETERS ±0.13mm [.005 INCHES] FOR ALL OTHER DIAMETERS ±0.38mm [.015 INCHES] FOR ALL OTHER DIMENSIONS ±5° FOR ALL ANGLES DIMENSION ARE IN MILLIMETERS [INCHES]		PART NUMBER PLS5W5F0050	SERIES PLS/PLSH	
		TITLE PLS5W5F0050		
CREATED ON:		SHEET SHEET 1 OF 1	REV A	

6

5

4

3

2

1