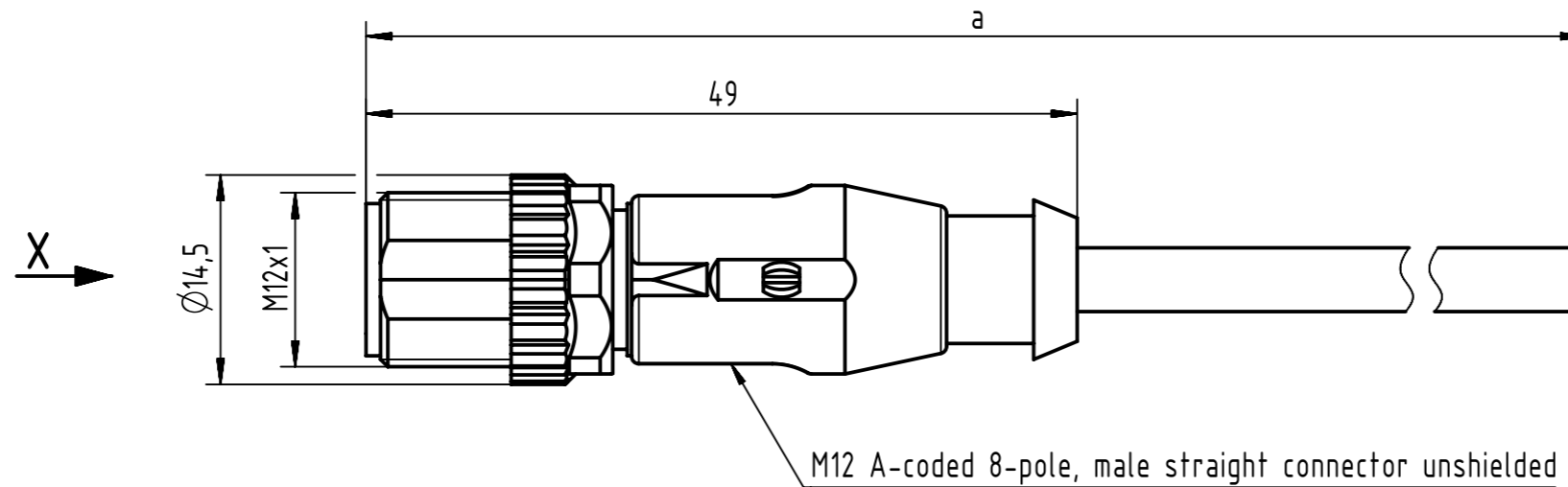
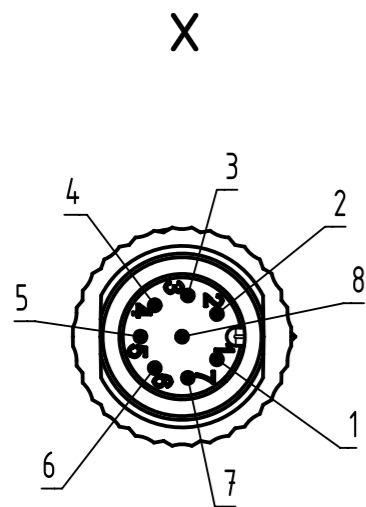


Connector Location A

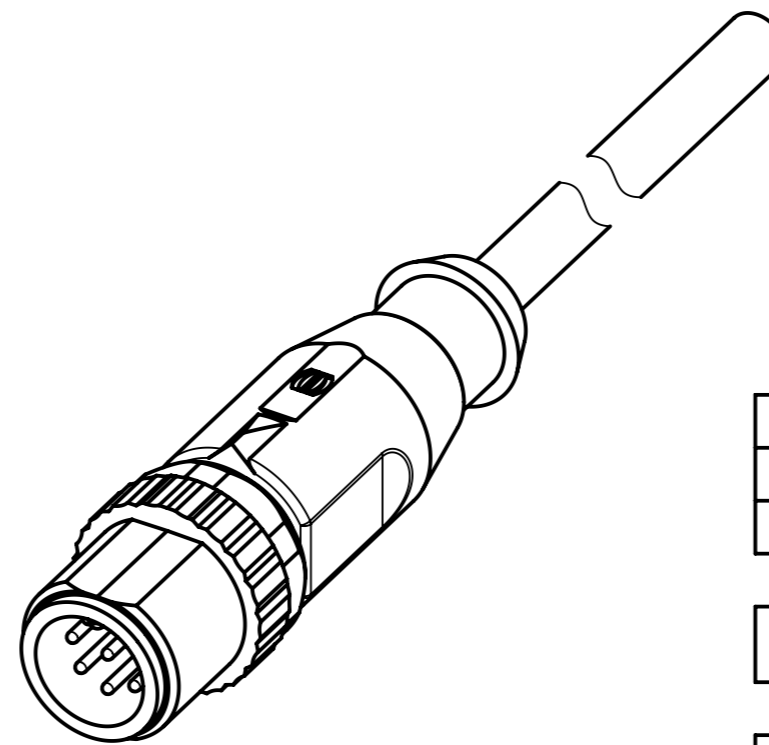
Connector Location B



Loading-Plan:



- 1 — white
- 2 — brown
- 3 — green
- 4 — yellow
- 5 — grey
- 6 — pink
- 7 — blue
- 8 — red



length in "1m" step	40	XXX=400
	39	XXX=390
	.	.
	12	XXX=120
	11	XXX=110
length in "0.1m" step	10	XXX=100
	9.9	XXX=099
	9.8	XXX=098
	.	.
	0.4	XXX=004
	0.3	XXX=003
	0.2	XXX=002
0.1	XXX=001	
Step	a [m]	XXX

4.0 to 40	+1%
0.1 to 3.9	+0.04
a [m]	Tolerance

Part no.	213484008XXXXX
----------	----------------

Type of cable	XX
PVC grey, 8x0.25mm ²	XX=82
TPU black, 8x0.25mm ²	XX=70

- Protection level: IP67
- Temperature range: -25°C ... +80°C

	All rights reserved Department HCS - RO	Created by MUNTEANV	Inspected by POPESCU	Standardisation AVRAM	Date 2017-02-09	State Final Release	According to production drawing 2017-02-01
HARTING Customised Solutions D-32427 Minden		Title M12 A-coded Cable Assembly		Doc-Key / ECM-Nr. 100578925/UGD/009/B 500000115234		Rev. B	Page 1/1
		Type TB	Number 213484008XXXXX				