

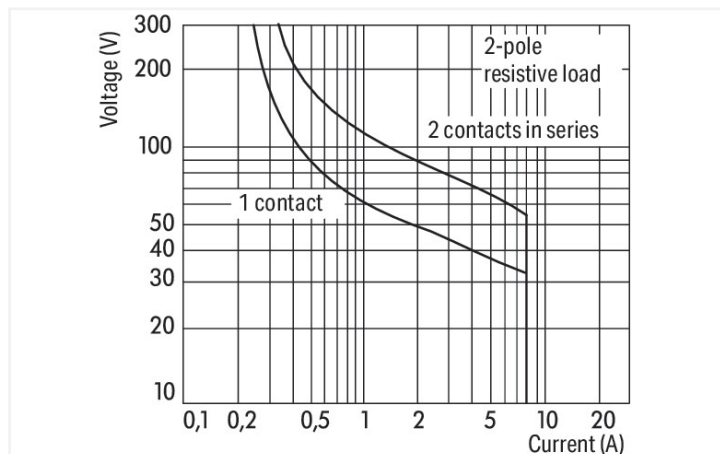
Data Sheet | Item Number: 788-157

Basic relay; Nominal input voltage: 24 VDC; 2 changeover contacts; Limiting continuous current: 8 A; with gold contacts; Module width: 13 mm; Module height: 15 mm

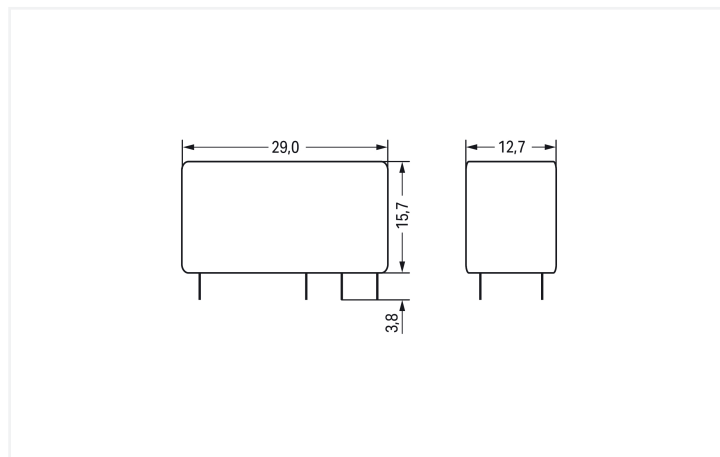
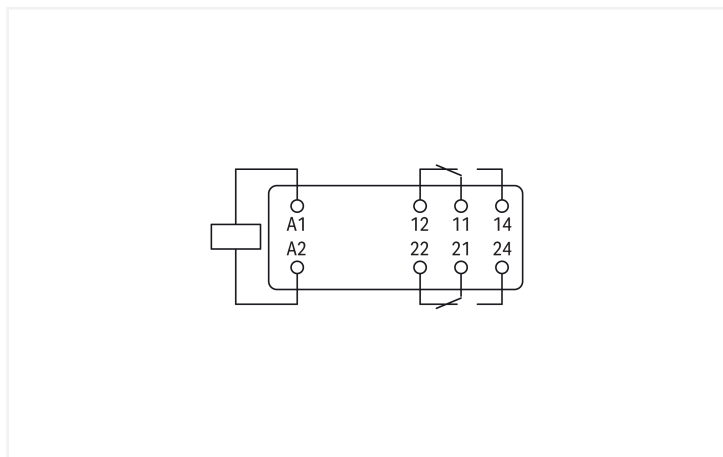
<https://www.wago.com/788-157>



Similar to illustration



DC load limit curve



Dimensions in mm

Notes

Note

To prevent damaging the gold layer, 30 VDC switching voltages and 50 mA currents must not be exceeded. Higher switching power eventually evaporates the gold layer. The resulting deposits in the housing may reduce service life.

Technical data

Control circuit

| | |
|--------------------------------|--------|
| Nominal input voltage U_N | 24 VDC |
| Nominal input current at U_N | 17 mA |

Load circuit

| | |
|--|---|
| Number of changeover/switchover contacts | 2 |
| Contact material (relay) | AgNi + Au |
| Limiting continuous current | 8 A |
| Switching Voltage, Max. | 250 VAC |
| Switching power (resistive) max. | AC 2000 VA; DC (see load limit curve) |
| Switching capacity | AC-15: 3 A / 250 VAC; DC-13: 2 A / 24 VDC |
| Recommended minimum load | 5 V / 2 mA / 50 mW |
| Pull-in time (typ.) | 7 ms |
| Drop-out time (typ.) | 3 ms |

Load circuit

Electrical life (NO; resistive load; 23 °C) 10 x 10³ switching operations

Mechanical life 30 x 10⁶ switching operations

Safety and protection

Dielectric strength (control/load circuit) (AC, 1 min) 5 kVrms

Dielectric strength (open contact) (AC, 1 min) 1 kVrms

Dielectric strength (load/load circuit) (AC, 1 min) 2.5 kVrms

Physical data

Width 12.7 mm / 0.5 inches

Height from the surface 15.7 mm / 0.618 inches

Depth 29 mm / 1.142 inches

Mechanical data

Mounting type Pluggable module

Material data

Note (material data) [Information on material specifications can be found here](#)

Weight 14.9 g

Environmental requirements

Ambient temperature (operation at U_N) -40 ... +85 °C

Ambient temperature (storage) -40 ... +85 °C

Standards and Specifications

Standards/specifications EN 61810-1

Commercial data

Product Group 6 (INTERFACE ELECTRONIC)

PU (SPU) 20 pcs

Packaging type Box

Country of origin PL

GTIN 4045454396640

Customs tariff number 85364900990

Product Classification

UNSPSC 39122334

eCl@ss 10.0 27-37-16-01

eCl@ss 9.0 27-37-16-01

ETIM 9.0 EC001437

ETIM 10.0 EC001437

ECCN NO US CLASSIFICATION

Environmental Product Compliance

| | |
|------------------------|-------------------------|
| RoHS Compliance Status | Compliant, No Exemption |
|------------------------|-------------------------|

Downloads

Environmental Product Compliance

| | |
|--|-------------------|
| Compliance Search | |
| Environmental Product Compliance 788-157 | ↓ |

Documentation

| | | | |
|-----------------|------------|------------------|-------------------|
| Bid Text | | | |
| 788-157 | 19.02.2019 | xml 3.97 KB | ↓ |
| 788-157 | 20.02.2019 | docx 16.90 KB | ↓ |

CAD/CAE-Data

| | |
|----------------------|-------------------|
| CAD data | |
| 2D/3D Models 788-157 | ↓ |

| | |
|------------------------|-------------------|
| CAE data | |
| WSCAD Universe 788-157 | ↓ |

1 Compatible Products

1.1 Optional Accessories

1.1.1 Socket

1.1.1.1 Socket without relay



Item No.: 788-102
Relay socket; 2 changeover contacts; for 15 mm basic relays; gray

Subject to changes. Please also observe the further product documentation!

Current addresses can be found at: www.wago.com