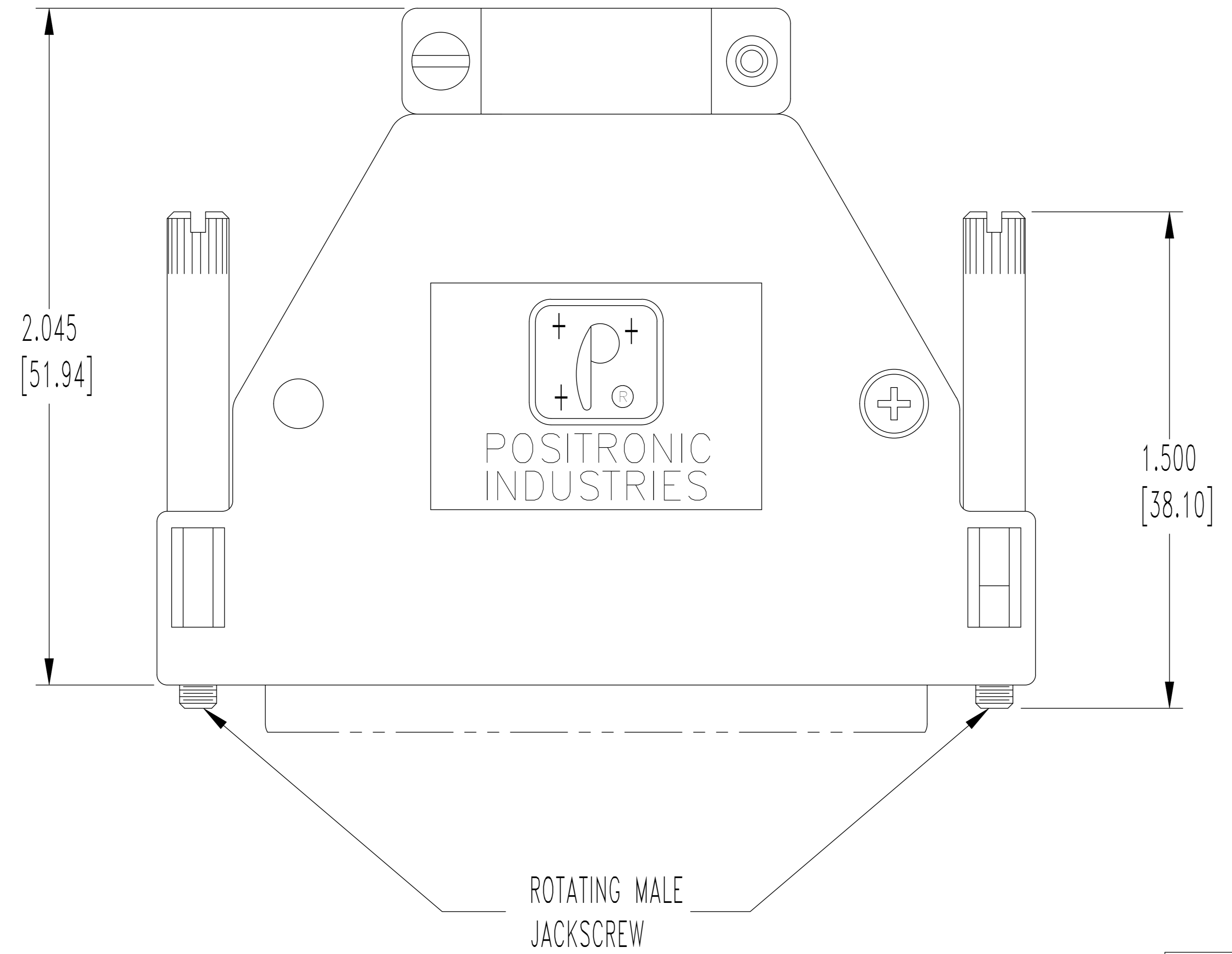
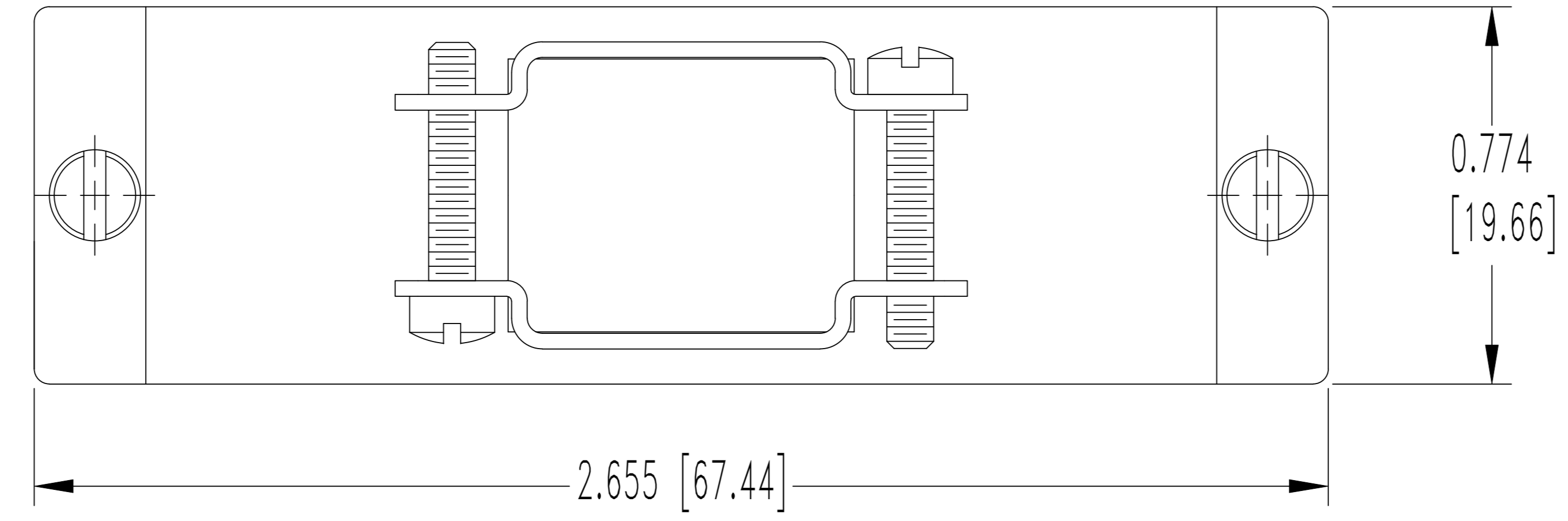


THIS DRAWING CONTAINS INFORMATION PROPRIETARY TO POSITRONIC AND IT'S SUBSIDIARIES. POSITRONIC BELIEVES THE DATA ON THIS DRAWING TO BE RELIABLE. SINCE THE TECHNICAL INFORMATION IS GIVEN FREE OF CHARGE, THE USER EMPLOYS SUCH INFORMATION AT HIS OWN DISCRETION AND RISK. POSITRONIC ASSUMES NO RESPONSIBILITY FOR RESULTS OBTAINED OR DAMAGES INCURRED FROM USE OF SUCH INFORMATION IN WHOLE OR IN PART.

DATE	REV	REVISION RECORD	APP	DR	CK
7-1-03	NC	ECO 21143		ME	



NOTES:

- MATERIAL AND FINISHES:
 HOOD: COMPOSITE, CONDUCTIVE VOLUME RESISTIVITY [1.0 OHM-CM MAXIMUM].
 JACKSCREWS: STEEL, ZINC PLATE.
 CABLE CLAMPS: STEEL, NICKEL PLATE.
- DIMENSIONS ARE IN INCHES [MILLIMETERS].

 POSITRONIC INDUSTRIES INC. SPRINGFIELD, MISSOURI 65801		SCALE	DRAWN BY
DECIMAL TOL. ± 0.015 [0.38]		N.T.S.	M. ENEA
ANGULAR TOL. $\pm 5^\circ$		TITLE D50000Y00	
DATE 7-1-03		DRAWING NUMBER SK5062	REV. NC