

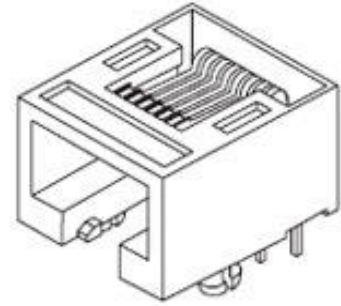
Part Number : [855035001](#)

Product Description : Modular Jack, Cat5e, Right-Angle, Through Hole, 8/8, Tray

Series Number : 85503

Status : Active

Product Category : Modular Jacks and Plugs



Documents and Resources

Drawings

[855035001_sd.pdf](#)

[PK-95001-001.pdf](#)

3D Models and Design Files

[STEP AP242](#)

[SOLIDWORKS](#)

[Creo](#)

[Symbol and Footprint \(Multi-Format\)](#)


Specifications

[AS-85513-001-001.pdf](#)

[PS-85503-001-001.pdf](#)

Product Environment Compliance

Compliance

GADSL/IMDS	Not Relevant
China RoHS	 per SJ/T 11365-2006
EU ELV	Not Relevant
Low-Halogen Status	Low-Halogen per IEC 61249-2-21
REACH SVHC	Not Contained per D(2025)7771-DC (04 Feb 2026)
EU RoHS	Compliant per EU 2015/863

[Compliance Statements](#)

- EU RoHS

- REACH SVHC
- Low-Halogen

Industry Documents

- IPC 1752A Class C
- IPC 1752A Class D
- Molex Product Compliance Declaration
- IEC-62474
- chemSHERPA (xml)

Substances of Interest

- PFAS

EU RoHS Certificate of Compliance

Additional Product Compliance Information

Part Details

General

Status	Active
Category	Modular Jacks and Plugs
Series	85503
Description	Modular Jack, Cat5e, Right-Angle, Through Hole, 8/8, Tray
Comments	Reflow Capable
Component Type	PCB Jack
Magnetic	No
Performance Category	5e
Power over Ethernet (PoE)	N/A
Product Name	Modular Jack 8/8,RJ45
UPC	822350976619

Agency

UL	E107635
----	---------

Electrical

Current - Maximum per Contact	1.5A
Shielded	No
Voltage - Maximum	125V DC

Physical

Boot Color	N/A
Color - Resin	Black
Durability (mating cycles max)	2500
Flammability	94V-0
Inverted / Top Latch	No
Jack Height	11.50mm
Lightpipes/LEDs	None
Material - Metal	Phosphor Bronze
Material - Plating Mating	Gold over Palladium Nickel
Material - Plating Termination	Tin
Material - Resin	High Temperature Thermoplastic
Net Weight	2.300/g
Orientation	Right Angle (Side Entry)
Packaging Type	Tray
PCB Locator	Yes
PCB Retention	Yes
PCB Thickness - Recommended	1.57mm
Pitch - Mating Interface	1.02mm
Pitch - Termination Interface	1.27mm
Plating min - Mating	0.051µm, 0.600µm
Plating min - Termination	1.905µm
Port Configuration	1x1
Positions / Loaded Contacts	8/8
Temperature Range - Operating	-40° to +85°C
Termination Interface Style	Through Hole
Waterproof / Dustproof	No
Wire/Cable Type	N/A

Solder Process Data

Max-Duration	5
Lead-Free Process Capability	WAVE
Max-Cycle	1
Max-Temp	260