

Coaxial cable connection of Antennas, Sensors, and Communication Trunk Lines

SAE/USCAR-19

Coaxial cable connection of Antennas, Sensors, and Communication Trunk Lines

GT 5

GT 13

GT 16

PO5G

GT 11

GT 14

GT 17

GT 19

GT 3

GT 6W

GT 7

GT 10

GT 18W

GT 15

GT 8

GT 9

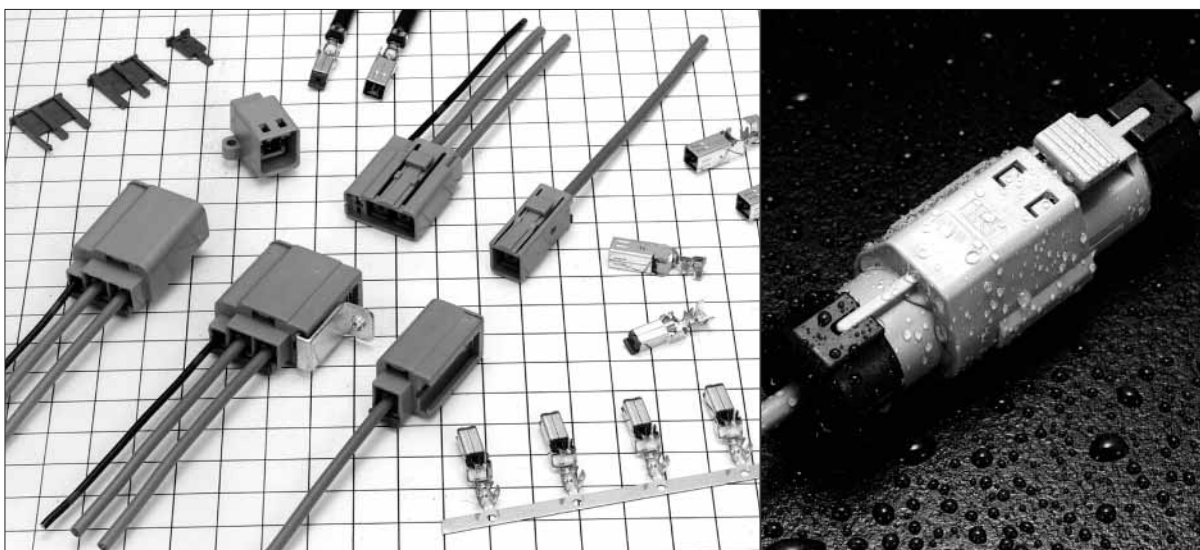
GT 25

Termination of coaxial cables in automotive, medical and instrumentation applications utilizes a single motion to crimp the center conductor, shield and outer insulation.

GT5 Series

— Connectors for coaxial shielded cables —

<Several types and configurations: In-line, board mounted, combinations of coaxial cable with signal/power, Multi-position and color/ keying variations.>



Features

- **USCAR Standard** titled "Square Outer Conductor (SAE/USCAR-19)" excludes Water Proof type (GT5W)
- **Cost efficient termination**
Highly efficient and reliable single motion "Twin Crimp™" termination allows high volume production with semi-automatic equipment.
- **Space-saving Design**
- **Lock-release latching system**
- **Shock / vibration resistant electrical connections**
- **Verification of the full contact insertion**
- **Color and polarizing variations**
- **Excellent High Frequency Performance**
Refer to V.S.W.R. data on the following pages.

Applications

In-car communication, car sensors (temperature, pressure), automotive audio systems, GPS antenna systems, RACS antenna audio/video antenna systems, CRT displays, medical and measuring instrumentation, variety of communication equipment, office automation equipment, LAN systems.

*"Twin Crimp" is a registered trade mark of Hirose Electric.

GT5 Series

Coaxial cable connection of Antennas, Sensors, and Communication Trunk Lines

GT 5

GT 13

GT 16

PO5G

GT 11

GT 14

GT 17

GT 19

GT 3

GT 6W

GT 7

GT 10

GT 18W

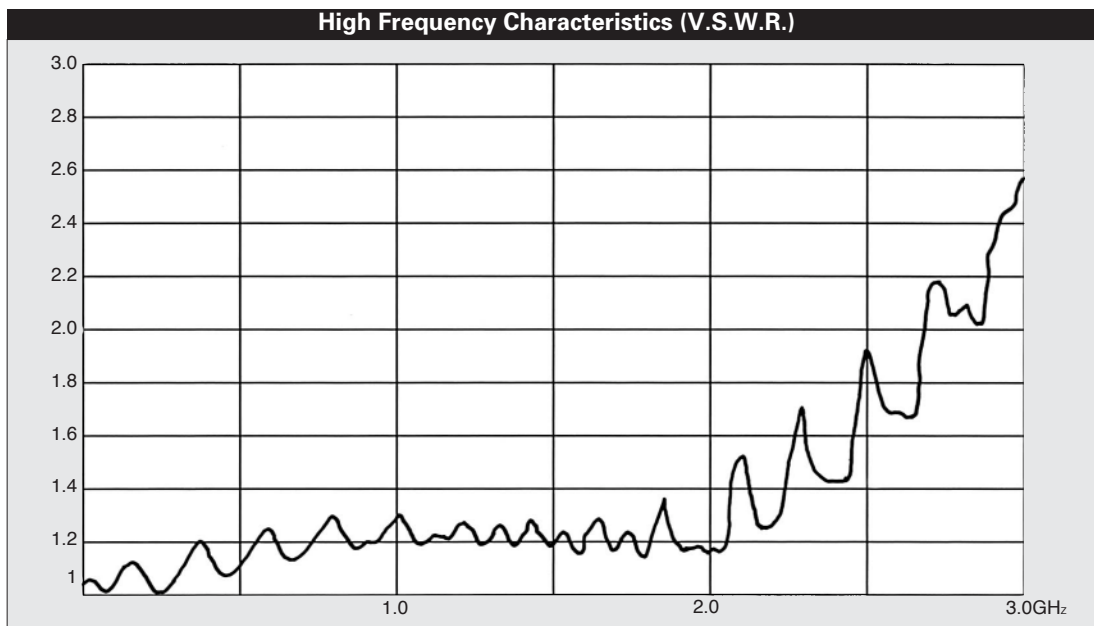
GT 15

GT 8

GT 9

GT 25

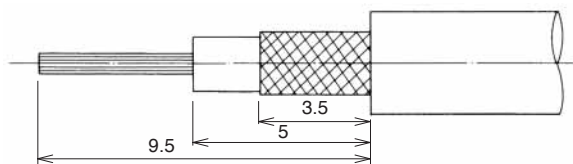
◆ Test Data (Using 1.5D-2V Type cable)



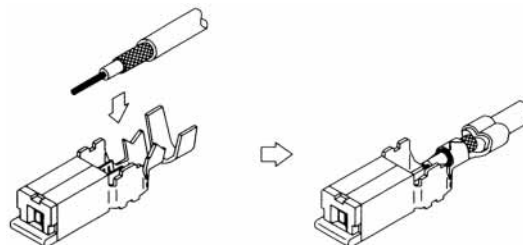
Note: Typical data using fully assembled and connected GT5-1S-HU and the GT5-1PP-HU.

◆ Termination sequence

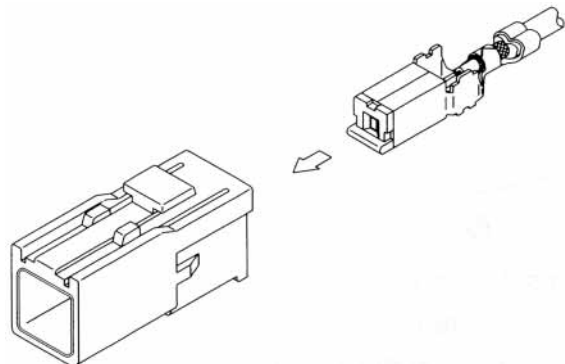
1. Strip the cable.



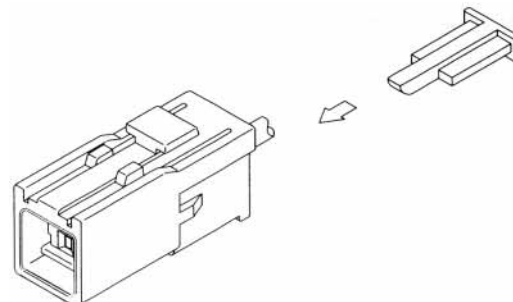
2. Crimp the cable to the terminal.



3. Insert the terminal in the housing until is fully locked.

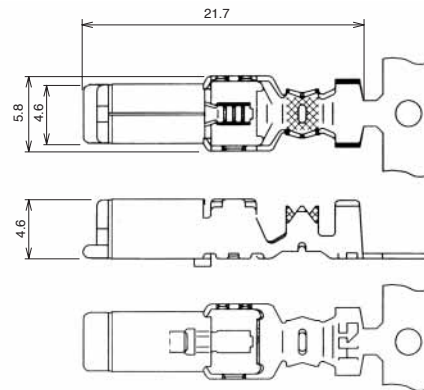


4. Fully insert the retainer.



Terminals for coaxial shielded cable

F Connector Terminals

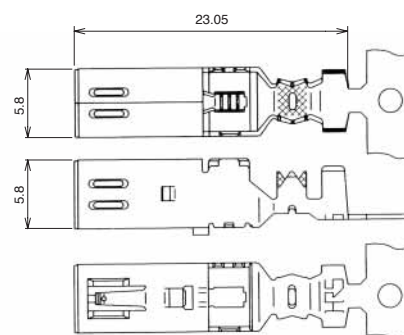


Part Number	CL No.	Conductor Size (AWG)	Inner Insulation Diameter	Outer Diameter	Packaging	RoHS
GT5-30/0.7-1.5SCF(70)	755-0065-1-70	#30 or equivalent	0.6 to 0.9mm	1.4 to 1.8mm	1,300 pcs. per reel	YES
GT5-2428/1.1-2.2SCF	755-0123-6	#24 to 28 or equivalent	1.0 to 1.4mm	2.0 to 2.4mm	1,300 pcs. per reel	
GT5-2428/1.6-2.5SCF(70)	755-0078-3-70	#24 to 28 or equivalent	1.5 to 2.0mm	2.3 to 2.7mm	1,300 pcs. per reel	
GT5-30/1.6-2.9SCF(70)	755-0022-9-70	#30 or equivalent	1.5 to 2.0mm	2.6 to 3.4mm	1,300 pcs. per reel	
GT5-2428/1.6-2.9SCF(70)	755-0002-1-70	#24 to 28 or equivalent				
GT5-2022/1.6-2.9SCF(70)	755-0071-4-70	#20 to 22 or equivalent	2.0 to 2.5mm	3.3 to 3.7mm	1,100 pcs. per reel	
GT5-2022/F2.7-3.5SCF(70)	755-0077-0-70	#20 to 22 or equivalent	2.5 to 2.9mm	3.6 to 4.0mm	1,100 pcs. per reel	
* GT5-2022/F3.3-3.8SCF(70)	755-0054-5-70	#20 to 22 or equivalent	2.5 to 2.9mm	4.6 to 5.0mm	1,100 pcs. per reel	
* GT5-30/F3.3-5SCF(70)	755-0016-6-70	#30 or equivalent				
* GT5-2428/F3.3-5SCF(70)	755-0012-5-70	#24 to 28 or equivalent				
* GT5-2022/F3.3-5SCF(70)	755-0034-8-70	#20 to 22 or equivalent				
* GT5-30/F4-5SCF(70)	755-0020-3-70	#30 or equivalent	3.0 to 3.6mm	4.6 to 5.0mm	1,100 pcs. per reel	
* GT5-2428/F4-5SCF(70)	755-0024-4-70	#24 to 28 or equivalent				
* GT5-2022/F4-5SCF(70)	755-0036-3-70	#20 to 22 or equivalent				

Part	Material	Finish
Insulator	PBT	Color: Dark gray
Crimp terminals	Phosphor bronze	Tin plating
Outer terminals	Brass	Tin plating

Note: Products marked with an asterisk (*) indicate polyethylene foam insulation.

M Connector Terminals

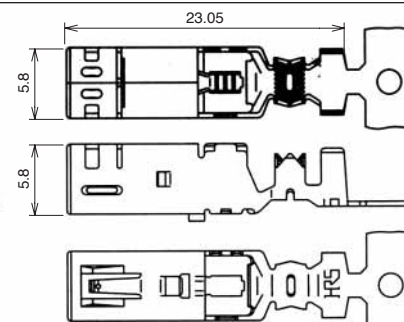


Part Number	CL No.	Conductor Size (AWG)	Inner Insulation Diameter	Outer Diameter	Packaging	RoHS
GT5-30/0.7-1.5PCF(70)	755-0017-9-70	#30 or equivalent	0.6 to 0.9mm	1.4 to 1.8mm	900 pcs. per reel	YES
GT5-30/1.6-2.9PCF(70)	755-0021-6-70	#30 or equivalent	1.5 to 2.0mm	2.6 to 3.4mm	900 pcs. per reel	
GT5-2428/1.6-2.9PCF(70)	755-0001-9-70	#24 to 28 or equivalent				
GT5-2022/1.6-2.9PCF(70)	755-0094-0-70	#20 to 22 or equivalent	2.0 to 2.5mm	3.3 to 3.7mm	900 pcs. per reel	
GT5-2022/F2.7-3.5PCF(70)	755-0076-8-70	#20 to 22 or equivalent	2.5 to 2.9mm	3.6 to 4.0mm	900 pcs. per reel	
* GT5-2022/F3.3-3.8PCF(70)	755-0053-2-70	#20 to 22 or equivalent	2.5 to 2.9mm	4.6 to 5.0mm	900 pcs. per reel	
* GT5-30/F3.3-5PCF(70)	755-0015-3-70	#30 or equivalent				
* GT5-2428/F3.3-5PCF(70)	755-0011-2-70	#24 to 28 or equivalent				
* GT5-2022/F3.3-5PCF(70)	755-0033-5-70	#20 to 22 or equivalent				
* GT5-30/F4-5PCF(70)	755-0019-4-70	#30 or equivalent	3.0 to 3.6mm	4.6 to 5.0mm	900 pcs. per reel	
* GT5-2428/F4-5PCF(70)	755-0023-1-70	#24 to 28 or equivalent				
* GT5-2022/F4-5PCF(70)	755-0035-0-70	#20 to 22 or equivalent				

Part	Material	Finish
Insulator	PBT	Color: Dark gray
Crimp terminals	Brass	Tin plating
Outer terminals	Brass	Tin plating

Note: Products marked with an asterisk (*) indicate polyethylene foam insulation.

Low-insertion M Connector Terminals



Part Number	HRS No.	Conductor Size (AWG)	Inner Insulation Diameter	Outer Diameter	Packaging	RoHS
GT5L-30/0.7-1.5PCF(70)	755-0068-0-70	#30 or equivalent	0.6 to 0.9mm	1.4 to 1.8mm	900 pcs. per reel	YES
GT5L-30/1.6-2.9PCF(70)	755-0067-7-70	#30 or equivalent	1.5 to 2.0mm	2.6 to 3.4mm	900 pcs. per reel	
GT5L-2428/1.6-2.9PCF(70)	755-0066-4-70	#24 to 28 or equivalent				
GT5L-2428/1.6-2.5PCF(70)	755-0079-6-70	#24 to 28 or equivalent	2.0 to 2.5mm	2.3 to 2.7mm		

Part	Material	Finish
Insulator	PBT	Color: Dark gray
Crimp terminals	Brass	Tin plating
Outer terminals	Brass	Tin plating

Coaxial cable connection of Antennas, Sensors, and Communication Trunk Lines
GT 5
GT 13
GT 16
PO5G
GT 11
GT 14
GT 17
GT 19
GT 3
GT 6W
GT 7
GT 10
GT 18W
GT 15
GT 8
GT 9
GT 25

GT5 Series

Coaxial cable connection of Antennas, Sensors, and Communication Trunk Lines
 GT 5
 GT 13
 GT 16
 PO5G
 GT 11
 GT 14
 GT 17
 GT 19
 GT 3
 GT 6W
 GT 7
 GT 10
 GT 18W
 GT 15
 GT 8
 GT 9
 GT 25

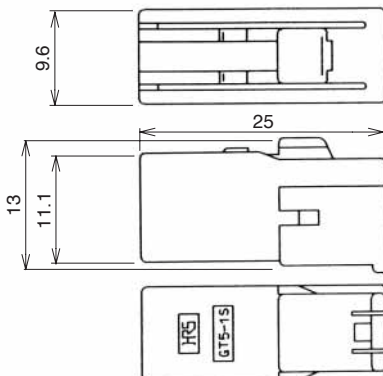
For Single-Conductor coaxial shielded cable

F Connectors

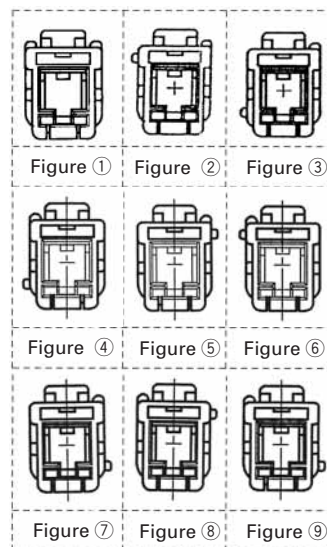
● **Housings**



GT5-1S-HU

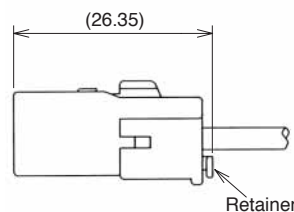


◆ **Keying Configurations**

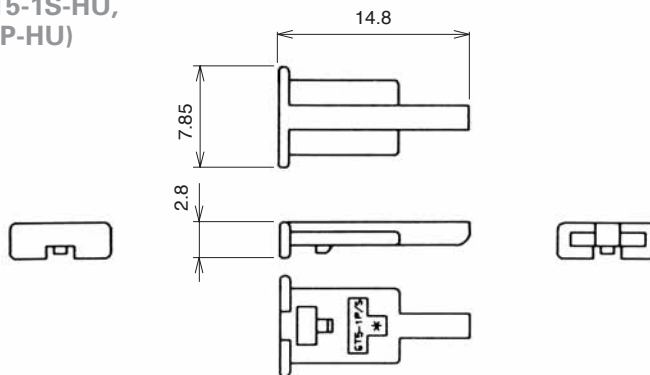


Part Number	CL No.	Material	Color	Key polarizing code	Corresponding M Connector Housing- In-line	Corresponding M Connector Assembly- Board Mounting	USCAR-19 Coding	RoHS
GT5-1S-HU	755-0004-7	PBT	Light gray	Figure ①	GT5-1PP-HU(70)	GT5-1P-DS(70)	-	YES
GT5-1S-HU(A)	755-0037-6		Brown	Figure ②	GT5-1PP-HU(A)(70)	GT5-1P-DS(A)(70)	A	
GT5-1S-HU(B)	755-0038-9		Green	Figure ③	GT5-1PP-HU(B)(70)	GT5-1P-DS(B)(70)	B	
GT5-1S-HU(C)	755-0080-5		Blue	Figure ④	GT5-1PP-HU(C)(70)	GT5-1P-DS(C)(70)	C	
GT5-1S-HU(D)	755-0081-8		Purple	Figure ⑤	GT5-1PP-HU(D)(70)	GT5-1P-DS(D)(70)	D	
GT5-1S-HU(E)	755-0082-0		Pink	Figure ⑥	GT5-1PP-HU(E)(70)	GT5-1P-DS(E)(70)	E	
GT5-1S-HU(I)	-		Black	Figure ⑦	GT5-1PP-HU(I)	GT5-1P-DS(I)	I	
GT5-1S-HU(J)	-		Cream white	Figure ⑧	GT5-1PP-HU(J)	GT5-1P-DS(J)	J	
GT5-1S-HU(K)	-		Pastel orange	Figure ⑨	GT5-1PP-HU(K)	GT5-1P-DS(K)	K	

◆ **Shown with inserted retainer.**



● **Retainer (-Optional-Used with the housings: GT5-1S-HU, GT5-1PP-HU, GT5N-1PP-HU, GT5H-1PP-HU)**

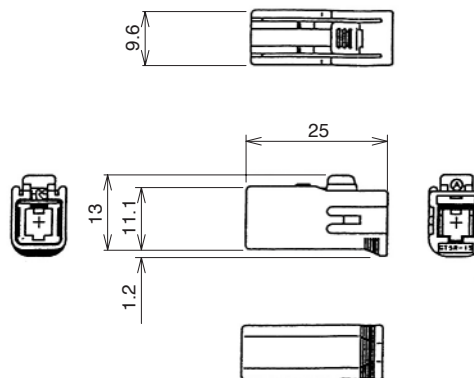


Part Number	CL No.	Material	Color	RoHS
GT5-1P/S-R	755-0006-2	PBT	Dark gray	YES

● **Housing (Not requiring use of the retainer)**



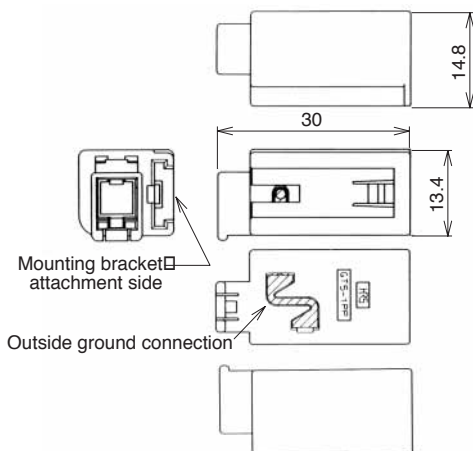
GT5R-1S/HU



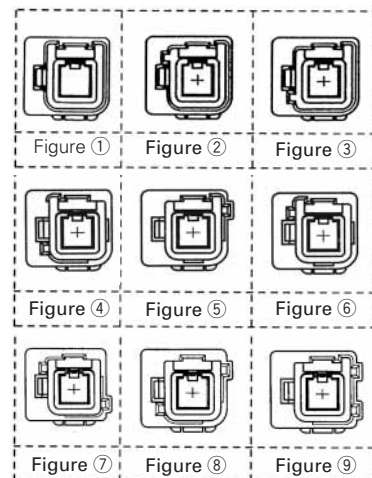
Part Number	CL No.	Material	Color	RoHS
GT5R-1S-HU	755-0047-0	PBT	Light gray	YES

M Connectors

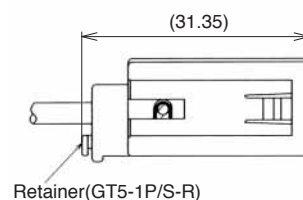
Housings



Keying Configurations



Shown with inserted retainer.

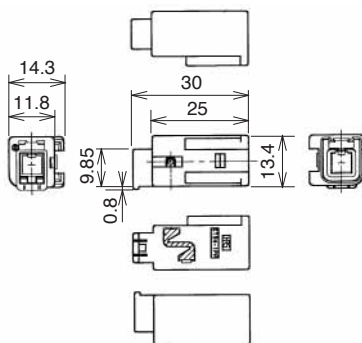


Part Number	CL No.	Corresponding F Connector Housing	Color	Key polarizing code	USCAR-19 Coding	RoHS
GT5-1PP-HU(70)	755-0005-0-70	GT5-1S-HU	Light Gray	Figure ①	—	YES
GT5-1PP-HU(A)(70)	755-0039-1-70	GT5-1S-HU(A)	Brown	Figure ②	A	
GT5-1PP-HU(B)(70)	755-0040-0-70	GT5-1S-HU(B)	Green	Figure ③	B	
GT5-1PP-HU(C)(70)	755-0103-9-70	GT5-1S-HU(C)	Blue	Figure ④	C	
GT5-1PP-HU(D)(70)	755-0104-1-70	GT5-1S-HU(D)	Purple	Figure ⑤	D	
GT5-1PP-HU(E)(70)	755-0105-4-70	GT5-1S-HU(E)	Pink	Figure ⑥	E	
GT5-1PP-HU(I)(70)	—	GT5-1S-HU(I)	Black	Figure ⑦	I	
GT5-1PP-HU(J)(70)	—	GT5-1S-HU(J)	Cream white	Figure ⑧	J	
GT5-1PP-HU(K)(70)	—	GT5-1S-HU(K)	Pastel orange	Figure ⑨	K	

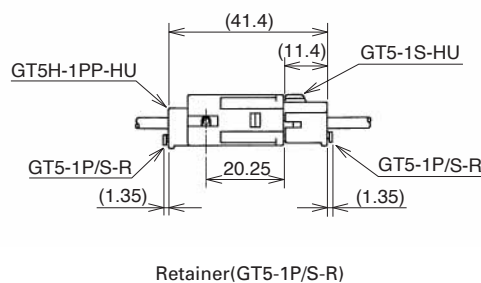
Note : Refer to pages 27 for panel mounting in-line bracket.

Part	Material	Finish
Housing	PBT	—
Ground terminal	Phosphor bronze	Tin plating

Housings (For use with H type mounting bracket)

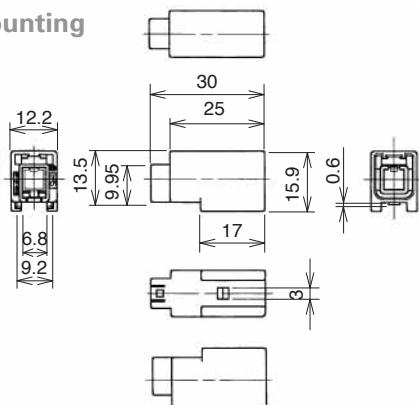
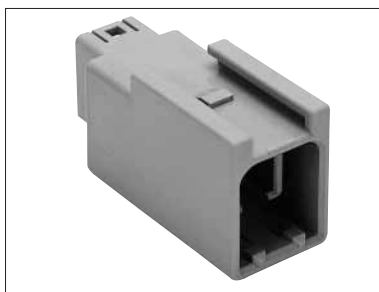


Fully mated connector assemblies.

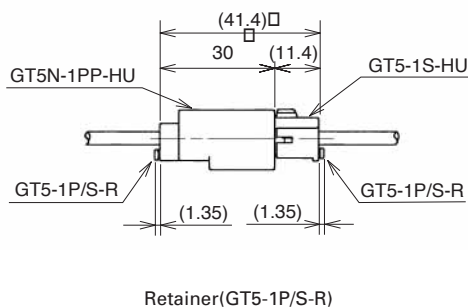


Part Number	CL No.	Color	Material	Corresponding F Connector Housing	RoHS
GT5H-1PP-HU (10)	755-0093-7 10	Light Gray	PBT	GT5-1S-HU GT5R-1S-HU	YES

Housing (For use with N type mounting bracket)



Fully mated connector assemblies.



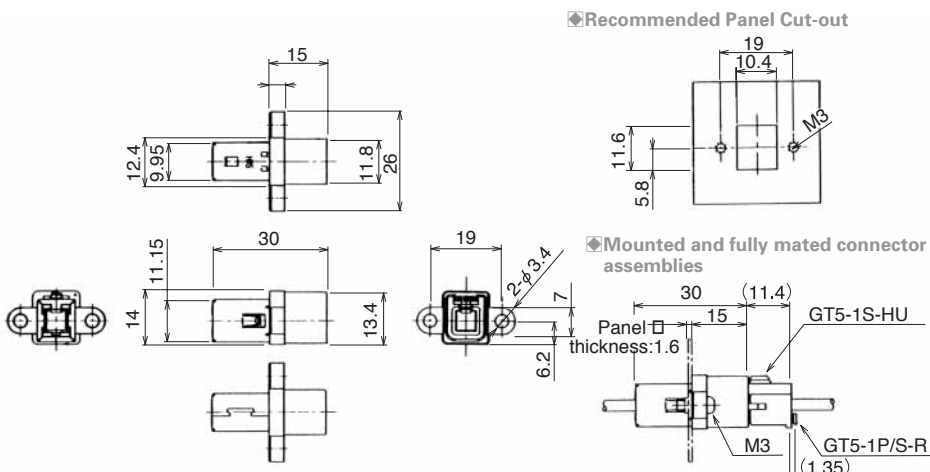
Part Number	CL No.	Color	Material	Corresponding F Connector Housing	RoHS
GT5N-1PP-HU	755-0090-9	Light Gray	PBT	GT5-1S-HU GT5R-1S-HU	YES

GT5 Series

Coaxial cable connection of Antennas, Sensors, and Communication Trunk Lines
 GT 5
 GT 13
 GT 16
 PO5G
 GT 11
 GT 14
 GT 17
 GT 19
 GT 3
 GT 6W
 GT 7
 GT 10
 GT 18W
 GT 15
 GT 8
 GT 9
 GT 25

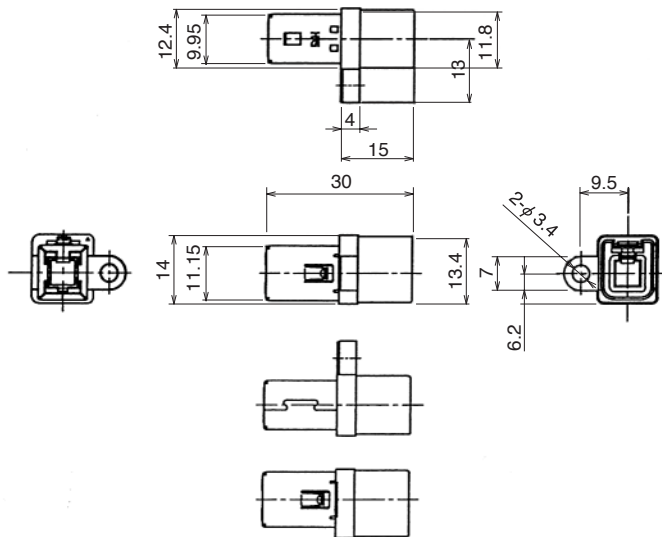
● Housings

[Panel mounting, enhanced]
 shielding type



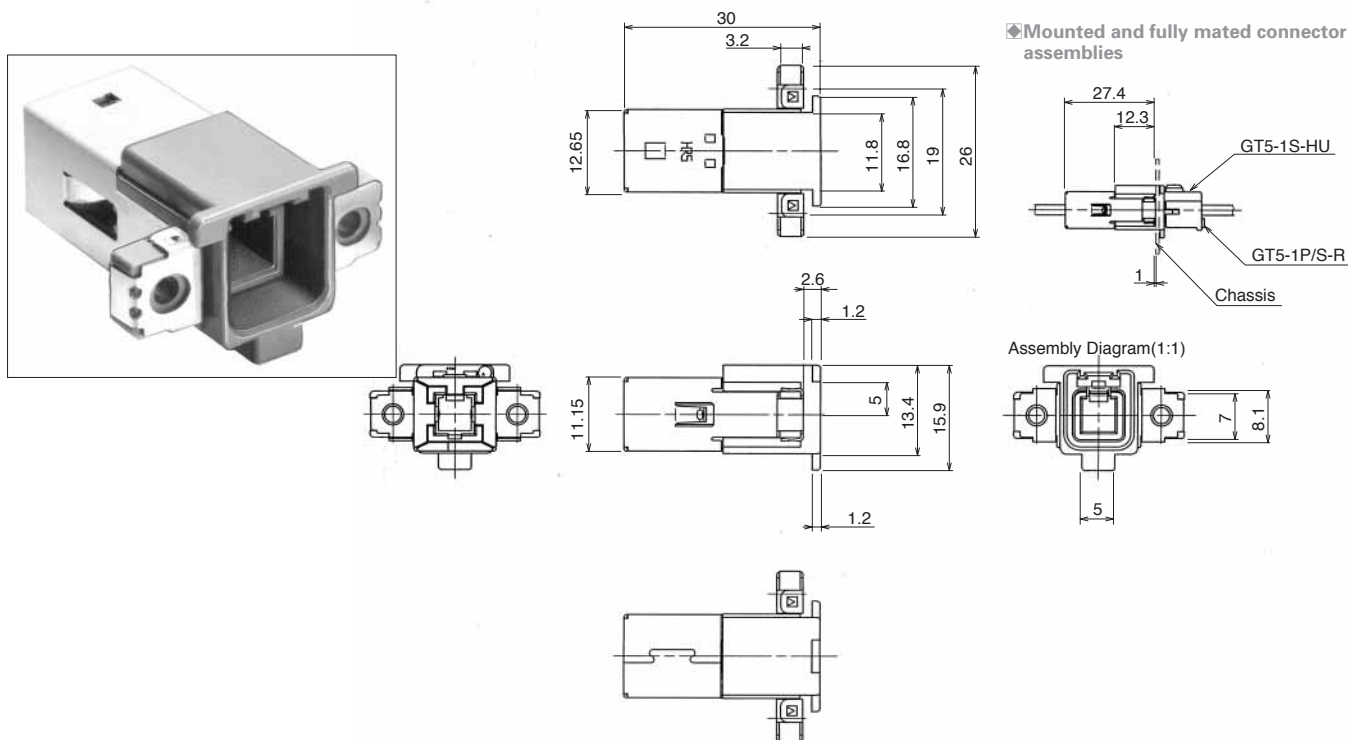
Part Number	CL No.	Part	Material	Finish	Corresponding F Connector Housing	RoHS
GT5A-1PP-HU(70)	755-0025-7-70	Housing	PBT	Color: Light gray	GT5-1S-HU, GT5R-1S-HU	YES
		Ground terminal	Brass	Tin plating		

Note 1: Retainer is unnecessary.
Note 2: Use JIS B 1111 and 1101 M3 screws for the mounting screws.



Part Number	CL No.	Part	Material	Finish	Corresponding F Connector Housing	RoHS
GT5P-1PP-HU(70)	755-0030-7-70	Housing	PBT	Color: Light gray	GT5-1S-HU, GT5R-1S-HU	YES
		Ground terminal	Brass	Tin plating		

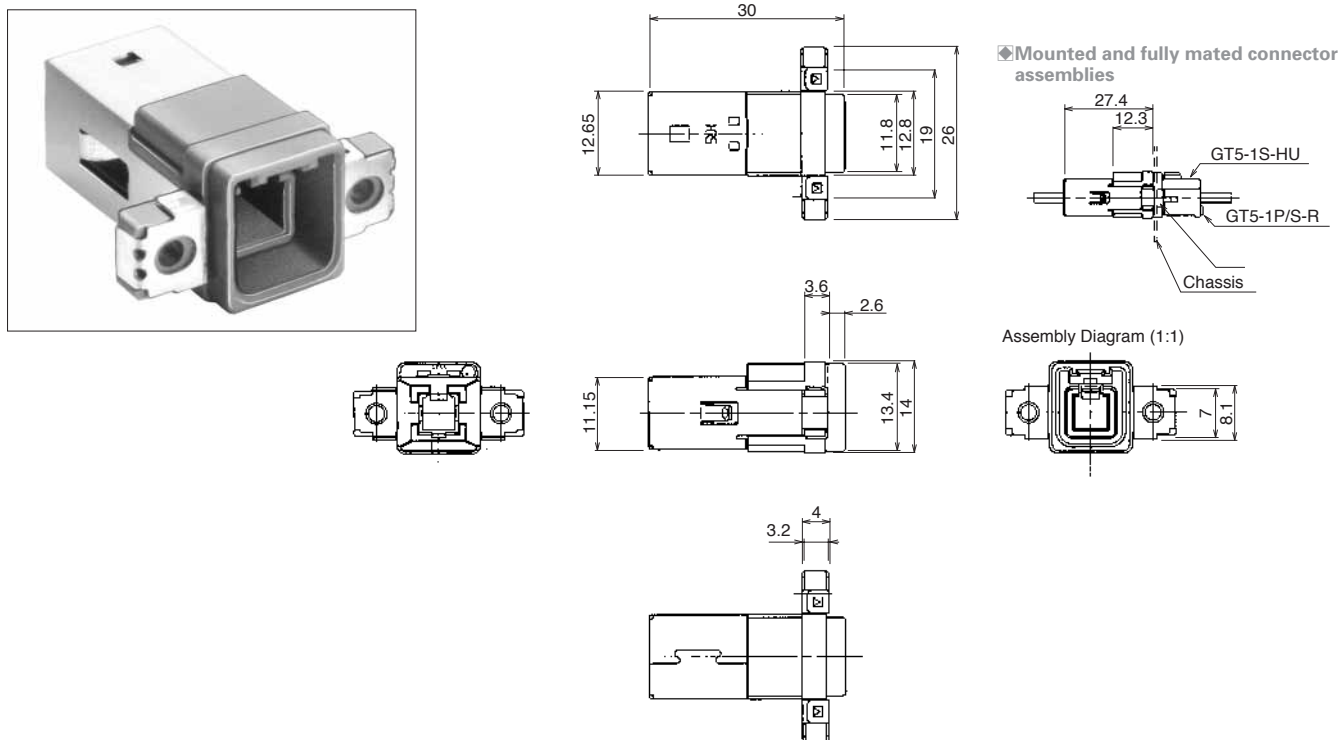
Note 1: Retainer is unnecessary.
Note 2: Use JIS B 1111 and 1101 M3 screws for the mounting screws.



Part Number	CL No.	Part	Material	Finish	Corresponding F Connector Housing	RoHS
GT5B-1PP-HU(70)	755-0051-7-70	Housing	PBT	Color: Light gray	GT5-1S-HU, GT5R-1S-HU	YES
		Ground terminal	Copper alloy	Tin plating		

Note 1: Retainer is unnecessary.

Note 2: Use JIS B 1115 and 1122 class 4, nominal diameter 3, length 6 screws for the mounting screws.



Part Number	CL No.	Part	Material	Finish	Corresponding F Connector Housing	RoHS
GT5S-1PP-HU(70)	755-0050-4-70	Housing	PBT	Color: Light gray	GT5-1S-HU, GT5R-1S-HU	YES
		Ground terminal	Copper alloy	Tin plating		

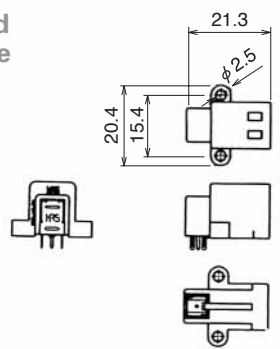
Note 1: Retainer is unnecessary.

Note 2: Use JIS B 1115 and 1122 class 4, nominal diameter 3, length 6 screws for the mounting screws.

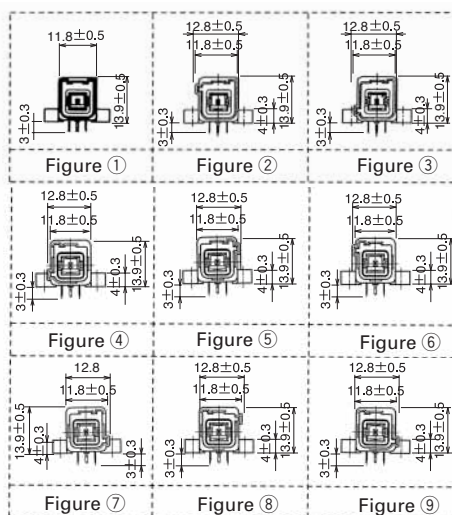
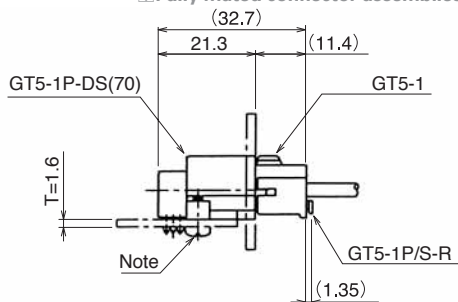
GT5 Series

Coaxial cable connection of Antennas, Sensors, and Communication Trunk Lines
 GT 5
 GT 13
 GT 16
 PO5G
 GT 11
 GT 14
 GT 17
 GT 19
 GT 3
 GT 6W
 GT 7
 GT 10
 GT 18W
 GT 15
 GT 8
 GT 9
 GT 25

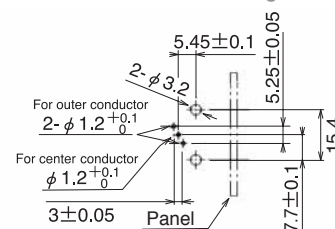
Connector assembly, Printed Circuit Board Mounting Type



Fully Mated connector assemblies



Recommended PCB Mounting Pattern



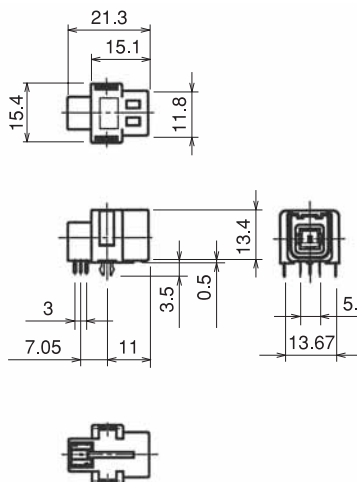
Part Number	CL No.	Color	Key polarizing code	M Connector-Board Type	Corresponding F Connector Housing	RoHS
GT5-1P-DS(70)	755-0007-5-70	Light Gray	Figure ①	GT5-1P-DS	GT5-1S-HU	YES
GT5-1P-DS(A)(70)	755-0041-3-70	Brown	Figure ②	GT5-1P-DS(A)	GT5-1S-HU(A)	
GT5-1P-DS(B)(70)	755-0042-6-70	Green	Figure ③	GT5-1P-DS(B)	GT5-1S-HU(B)	
GT5-1P-DS(C)(70)	755-0083-3-70	Blue	Figure ④	GT5-1P-DS(C)	GT5-1S-HU(C)	
GT5-1P-DS(D)(70)	755-0084-6-70	Purple	Figure ⑤	GT5-1P-DS(D)	GT5-1S-HU(D)	
GT5-1P-DS(E)(70)	755-0085-9-70	Pink	Figure ⑥	GT5-1P-DS(E)	GT5-1S-HU(E)	
GT5-1P-DS(I)(70)	—	Black	Figure ⑦	GT5-1P-DS(I)	GT5-1S-HU(I)	
GT5-1P-DS(J)(70)	—	Cream white	Figure ⑧	GT5-1P-DS(J)	GT5-1S-HU(J)	
GT5-1P-DS(K)(70)	—	Pastel orange	Figure ⑨	GT5-1P-DS(K)	GT5-1S-HU(K)	

Part	Material	Finish
Housing	PBT	-
0.64 x 1.1 Terminals	Brass	Tin plating
Insulator	PBT	Dark gray
Outer terminals	Phosphor bronze	Tin plating

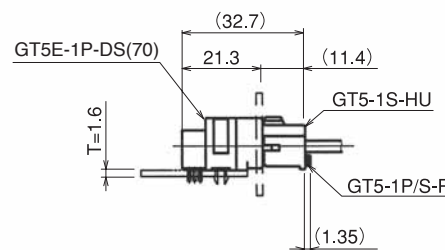
Note: Use JIS B 1115 and 1122 class 4, nominal diameter 3, length 6 screws (for a board thickness of 1.6 mm) for the mounting screws.

* Eight types of keys are available.

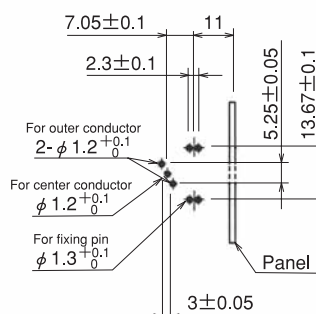
Please use a mating F connector housing of a matching key type.



Fully Mated connector assemblies



Recommended PCB Mounting Pattern

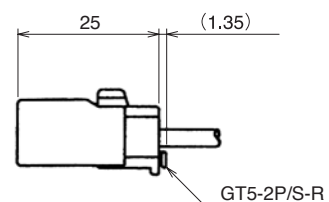
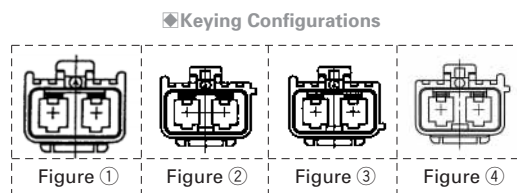
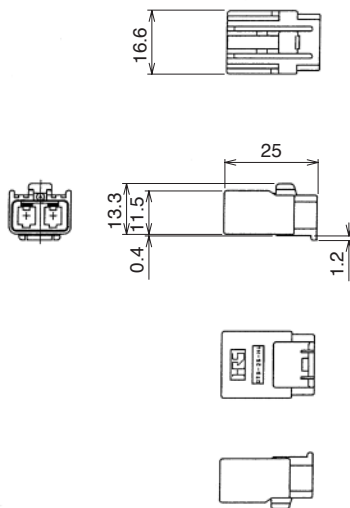


Part Number	CL No.	Part	Material	Finish	Corresponding F Connector Housing	RoHS
GT5E-1P-DS(70)	755-0092-4-70	Housing	PA	Natural	GT5-1S-HU	YES
		0.64 x 1.1 Terminals	Brass	Tin plating		
		Insulator	PBT	Dark gray		
		Outer terminals	Phosphor bronze	Tin plating		
		Lock pin	Brass	Tin plating		

Two-position type-Each Single-Conductor coaxial shielded cable

F Connectors

Housings



Shown with inserted retainer.

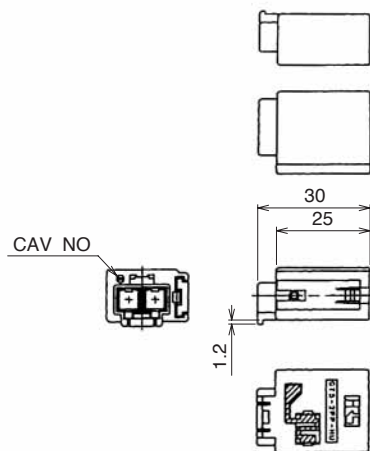
Part Number	CL No.	Material	Color	Key polarizing code	USCAR-19 Coding	RoHS
GT5-2S-HU	755-0044-1	PBT	Light Gray	Figure ①	D2	YES
GT5-2S-HU(A)	755-0059-9		Brown	Figure ②	A2	
GT5-2S-HU(B)	755-0060-8		Green	Figure ③	B2	
GT5-2S-HU(C)	755-0097-8		Blue	Figure ④	C2	
GT5-2S-HU(D)	755-0098-0		Light Gray	Figure ①		

Note 1: Used with separate retainer (GT5-2P/S-R).

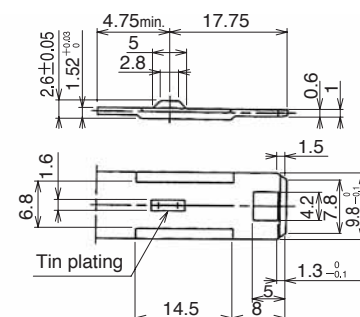
Note 2: Please use a mating F connector of a matching key type.

M Connectors

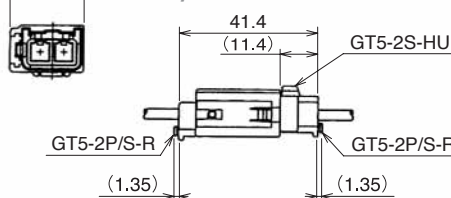
Housings[Panel Mounted Housing]



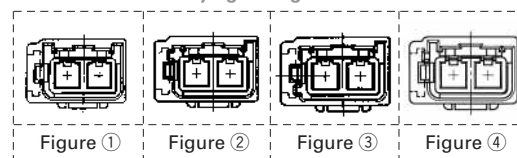
Recommended Mounting Bracket dimensions.



Fully mated connector assemblies



Keying Configurations



Part Number	CL No.	Color	Key polarizing code	RoHS
GT5-2PP-HU(70)	755-0045-4-70	Light Gray	Figure ①	YES
GT5-2PP-HU(A)(70)	755-0063-6-70	Brown	Figure ②	
GT5-2PP-HU(B)(70)	755-0064-9-70	Green	Figure ③	
GT5-2PP-HU(C)(70)	755-0099-3-70	Blue	Figure ④	
GT5-2PP-HU(D)(70)	—	Light Gray	Figure ①	

Part	Material	Finish
Housing	PBT	-
Ground terminal	Phosphor bronze	Tin plating

Note1: Used with separate retainer (GT5-2P/S-R).

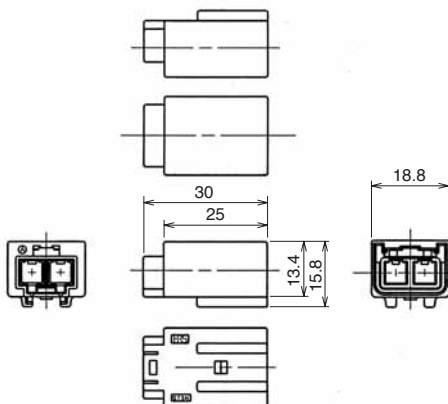
Coding D2 at USCAR-19 is GT5-2PP-HU.

Note2: Refer to page 27 for panel mounting in-line bracket.

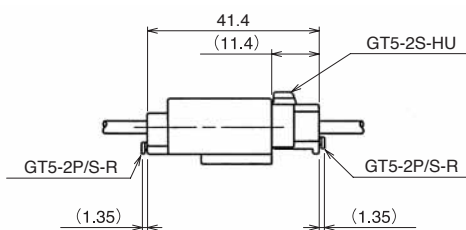
Coaxial cable connection of Antennas, Sensors, and Communication Trunk Lines
GT 5
GT 13
GT 16
PO5G
GT 11
GT 14
GT 17
GT 19
GT 3
GT 6W
GT 7
GT 10
GT 18W
GT 15
GT 8
GT 9
GT 25

GT5 Series

● Housing



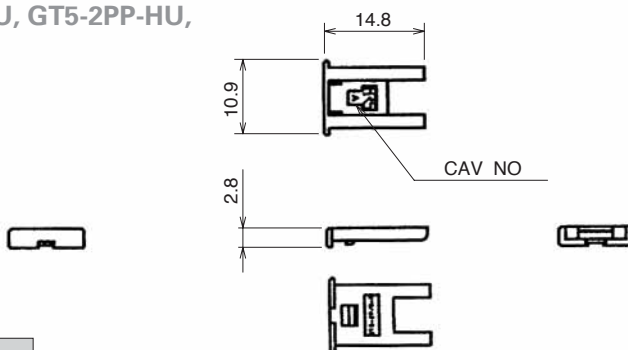
◆ Fully Mated connector assemblies



Part Number	CL No.	Material	Color	RoHS
GT5N-2PP-HU	755-0055-8	PBT	Light gray	YES

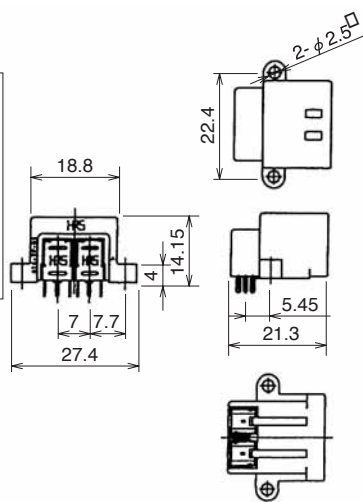
Note :Used with separate retainer (GT5-2P/S-R).

● Retainer – 2 position (Used with GT5-2S-HU, GT5-2PP-HU, and GT5N-2PP-HU)

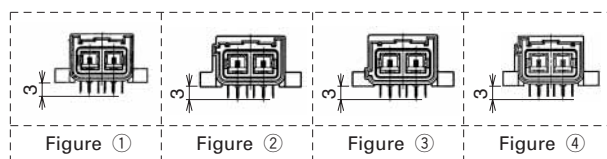


Part Number	CL No.	Material	Color	RoHS
GT5-2P/S-R	755-0046-7	PBT	Dark gray	YES

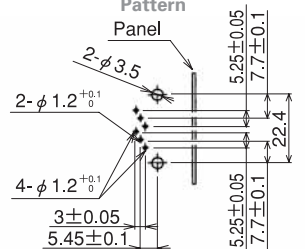
● Housing



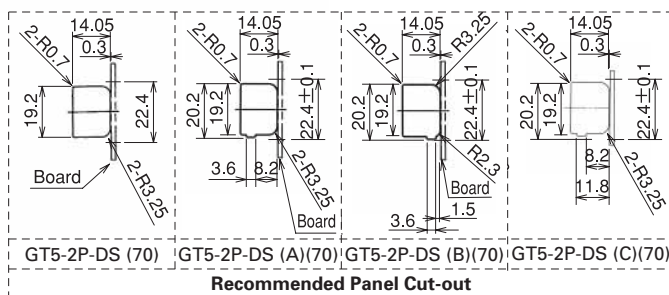
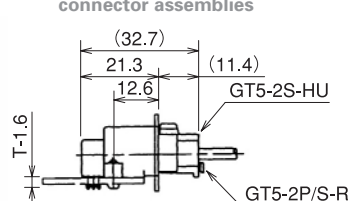
◆ Keying Configurations



◆ Recommended Board Mounting Pattern



◆ Mounted and fully mated connector assemblies

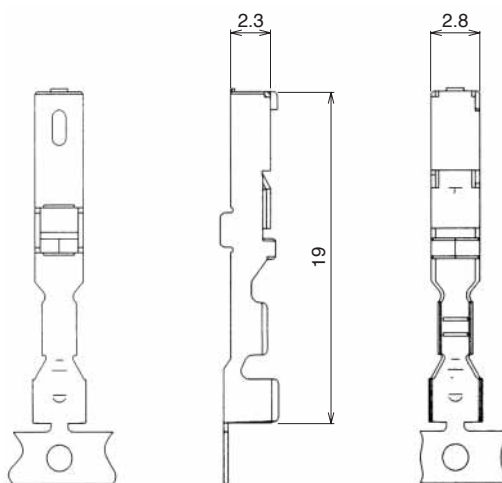


Part Number	CL No.	Material	Color	Key polarizing code	USCAR-19 Coding	RoHS
GT5-2P-DS(70)	755-0043-9-70	PBT	Light Gray	Figure ①	D2	YES
GT5-2P-DS(A)(70)	755-0061-0-70		Brown	Figure ②	A2	
GT5-2P-DS(B)(70)	755-0062-3-70		Green	Figure ③	B2	
GT5-2P-DS(C)(70)	755-0101-3-70		Blue	Figure ④	C2	
GT5-2P-DS(D)(70)	755-0102-6-70		Light Gray	Figure ①		

Note: Use JIS B 1115 and 1122 class 4, nominal diameter 3, length 6 screws (for a board thickness of 1.6 mm) for the mounting screws.
 Coding D2 at USCAR-19 is GT5-2P-DS.

Power Supply Terminals

F Connector Terminals

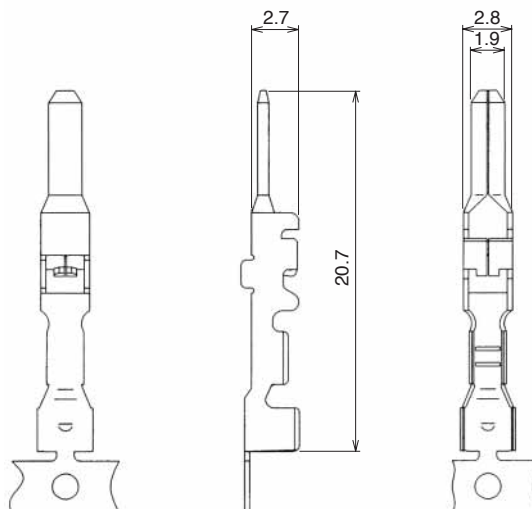
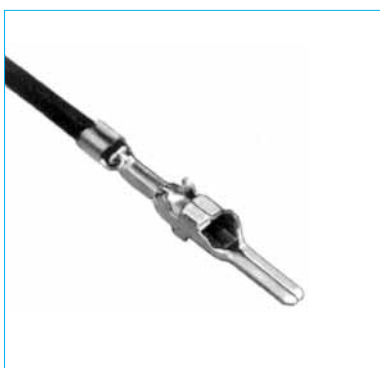


Part Number	CL No.	Material	Finish	Conductor Size (AWG)	Outer Diameter	Packaging	RoHS
GT7-2022SCF(70)	757-0001-1-70	Copper alloy	Tin plating	#20 to 22	1.4 to 2.4mm	5,000pcs.per reel	YES
GT7A-2022SCF(70)	757-0003-7-70			#20 to 22	2.6 to 3.1mm	3,000pcs.per reel	

Note 1: Sold by the reel. (See above table for number of Packaging.)

Note 2: This component is used only with applicable HRS housings.

M Connector Terminals



Part Number	CL No.	Material	Finish	Conductor Size (AWG)	Outer Diameter	Packaging	RoHS
GT7-2022PCF(70)	757-0002-4-70	Brass	Tin plating	#20 to 22	1.4 to 2.4mm	5,000pcs.per reel	YES
GT7A-2022PCF(70)	757-0004-0-70			#20 to 22	2.6 to 3.1mm	3,000pcs.per reel	

Note 1: Sold by the reel. (See above table for number of Packaging.)

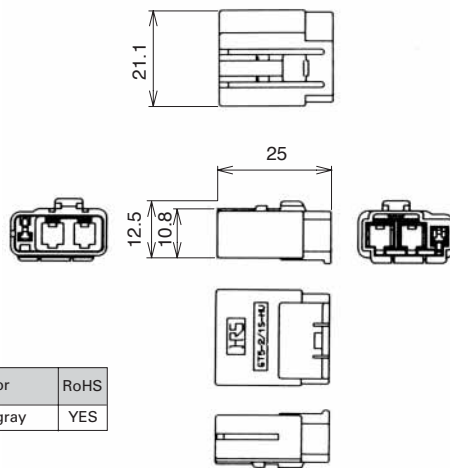
Note 2: This component is used only with applicable HRS housings.

GT5 Series

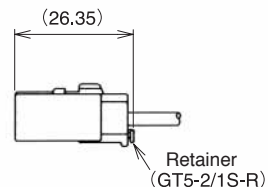
Combinaton Type (Two Single-Conductor Coaxial shielded Cables + One Power contact)

F Connectors

Housing



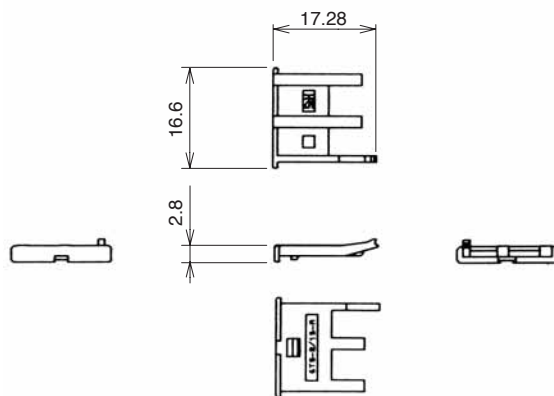
Shown with inserted retainer.



Part Number	CL No.	Material	Color	RoHS
GT5-2/1S-HU	755-0009-0	PBT	Light gray	YES

Note : Used with separate retainer (GT5-2/1S-R).

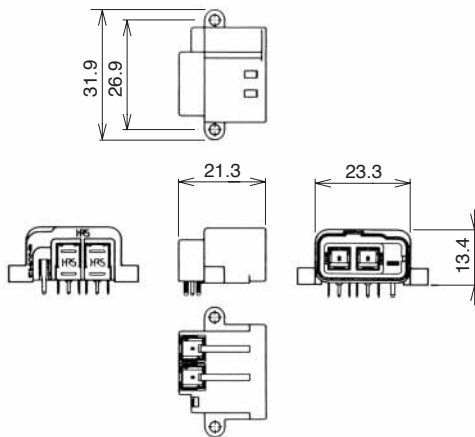
Retainer (exclusively for GT5-2/1S-HU)



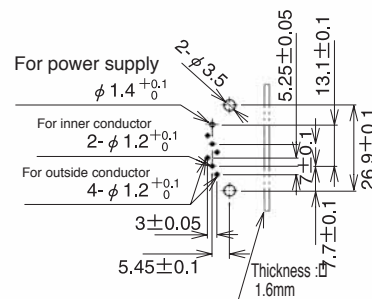
Part Number	CL No.	Material	Color	RoHS
GT5-2/1S-R	755-0003-4	PBT	Dark gray	YES

M Connectors

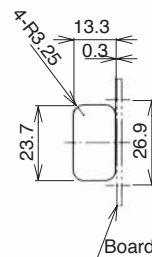
Connector assembly, Printed Circuit Board mounting



Recommended Board Mounting Pattern



Recommended Panel Cut-out



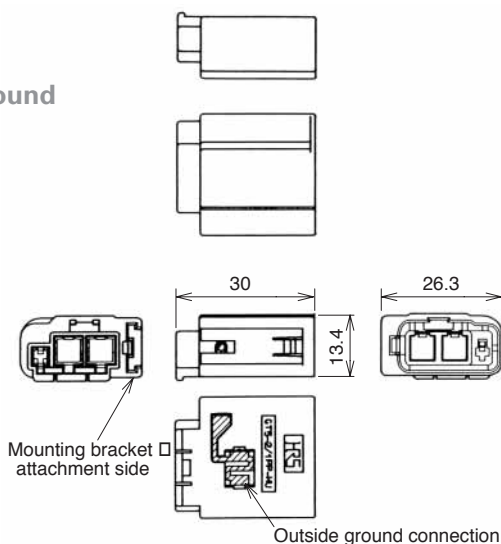
Part	Material	Finish
Housing	PBT	Color: Light gray
0.64x1.1 Terminal	Brass	Tin plating
Insulator	PBT	Dark gray
Outer terminal	Phosphor bronze	Tin plating
Tub terminal for DS 070	Brass	Tin plating

Part Number	CL No.	RoHS
GT5-2/1P-DS(70)	755-0014-0-70	YES

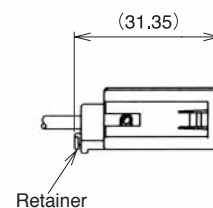
Note: Use JIS B 1115 and 1122 class 4, nominal diameter 3, length 6 screws (for a board thickness of 1.6 mm) for the mounting screws.

M Connectors

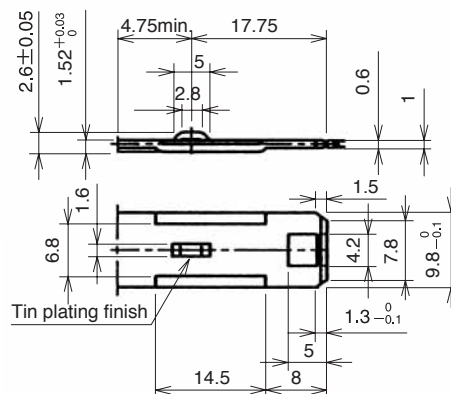
Housing - with External Ground



Shown with inserted retainer.



Recommended Mounting Bracket Dimensions

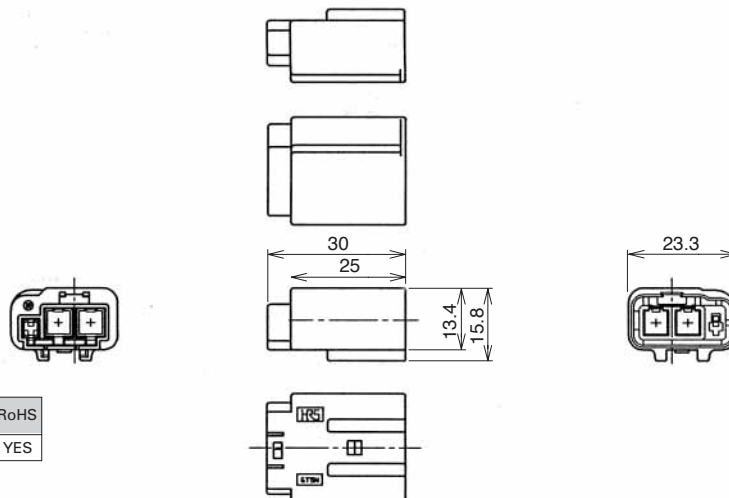


Part Number	CL No.	Part	Material	Finish	RoHS
GT5-2/1PP-HU(70)	755-0008-8-70	Housing	PBT	Color: Light gray	YES
		Ground terminal	Phosphor bronze	Tin plating	

Note 1: Used with separate retainer (GT5-2/1PP-R).

Note 2: Refer to page 27 for panel mounting in-line bracket.

Housing - without External Ground



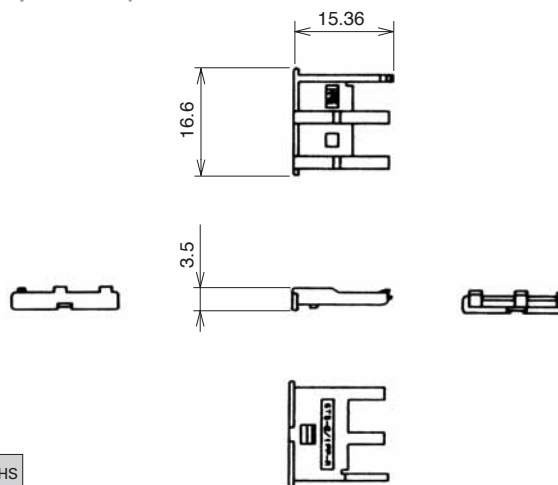
Part Number	CL No.	Material	Color	RoHS
GT5N-2/1PP-HU	755-0013-8	PBT	Light gray	YES

Note : Used with separate retainer GT5-2/1PP-R.

Retainer (Used with GT5N-2/1PP-HU and GT5-2/1PP-HU)



GT5-2/1PP-R



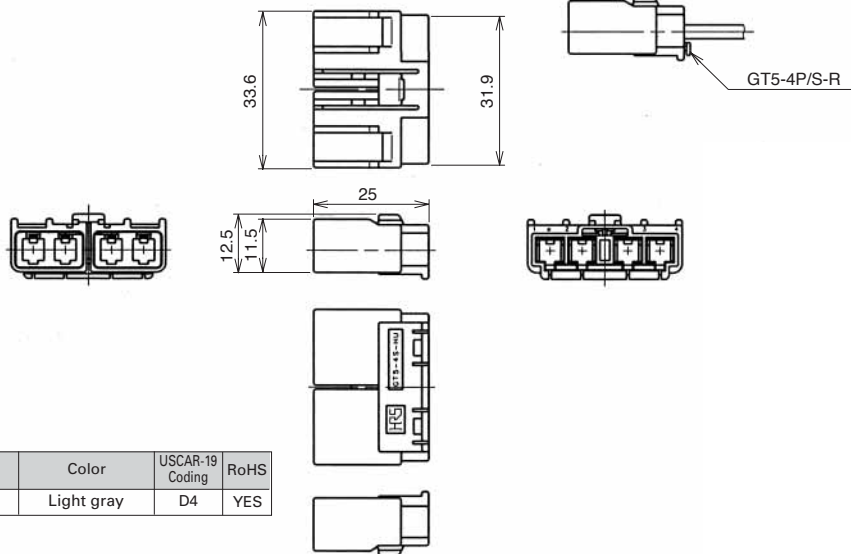
Part Number	CL No.	Material	Color	RoHS
GT5-2/1PP-R	755-0010-0	PBT	Dark gray	YES

GT5 Series

Coaxial cable connection of Antennas, Sensors, and Communication Trunk Lines
GT 5
GT 13
GT 16
PO5G
GT 11
GT 14
GT 17
GT 19
GT 3
GT 6W
GT 7
GT 10
GT 18W
GT 15
GT 8
GT 9
GT 25

4-Position – Single conductor shielded Coaxial cable

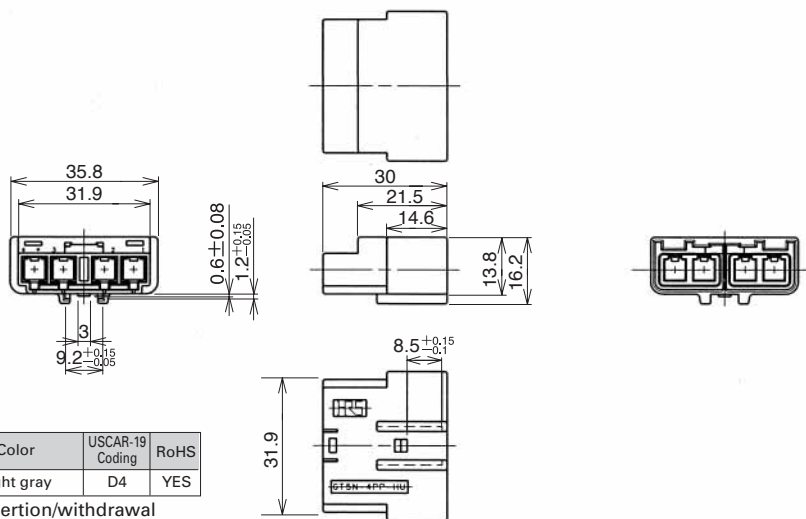
F Connector



Part Number	CL No.	Material	Color	USCAR-19 Coding	RoHS
GT5-4S-HU	755-0056-0	PBT	Light gray	D4	YES

Note: Used with separate retainer (GT5-4P/S-R).

M Connector

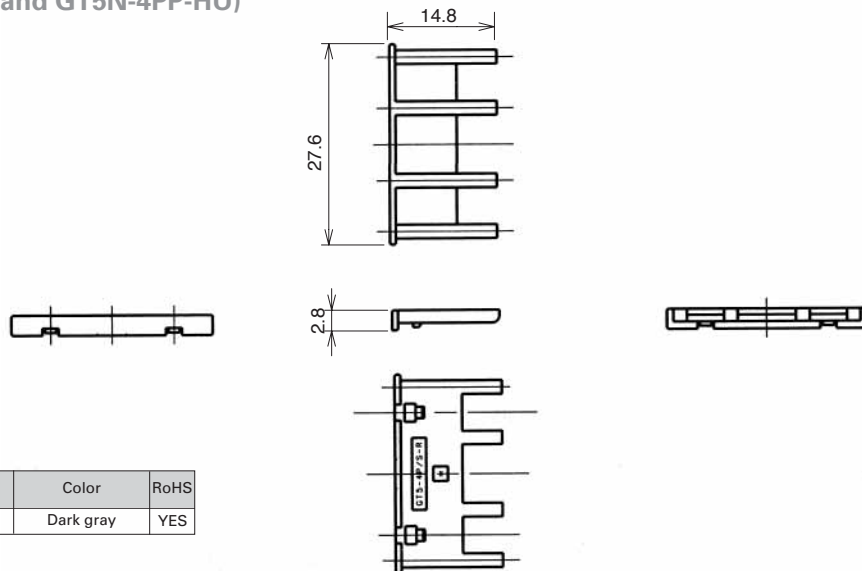


Part Number	CL No.	Material	Color	USCAR-19 Coding	RoHS
GT5N-4PP-HU	755-0057-3	PBT	Light gray	D4	YES

Note 1: The product should be used with a low-force insertion/withdrawal M connector terminal.

Note 2: Used with separate retainer GT5-4P/S-R.

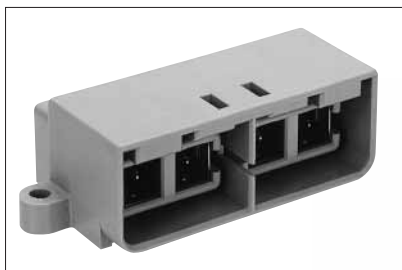
Retainer (Used with GT5-4S-HU and GT5N-4PP-HU)



Part Number	CL No.	Material	Color	RoHS
GT5-4P/S-R	755-0058-6	PBT	Dark gray	YES

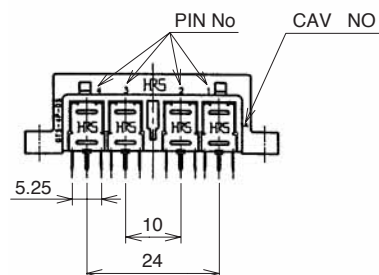
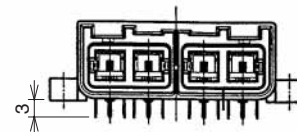
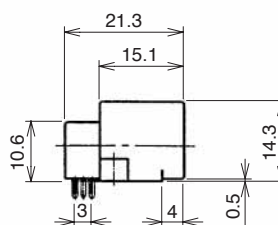
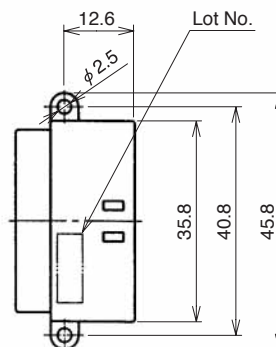
M Connector

Connector assembly, Printed Circuit Board Mounting

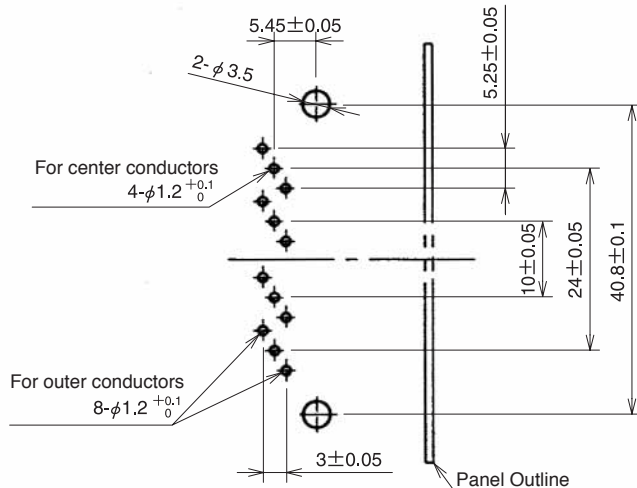


Part Number	CL No.	USCAR-19 Coding	RoHS
GT5-4P-DS(70)	755-0087-4-70	D4	YES

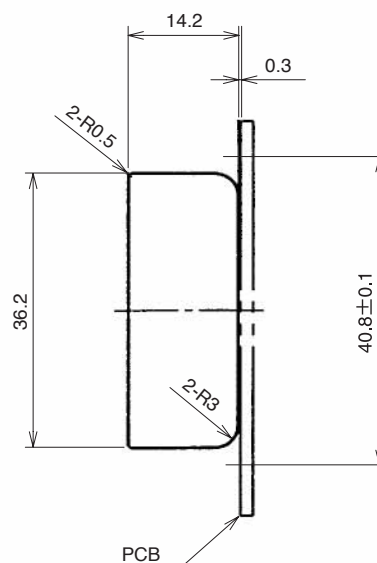
Item	Material	Color / Finish
Housing	PBT	Light gray
0.64X1.1 Terminal	Brass	Tin plating
Insulator	PBT	Dark gray
Outer terminal	Phosphor bronze	Tin plating



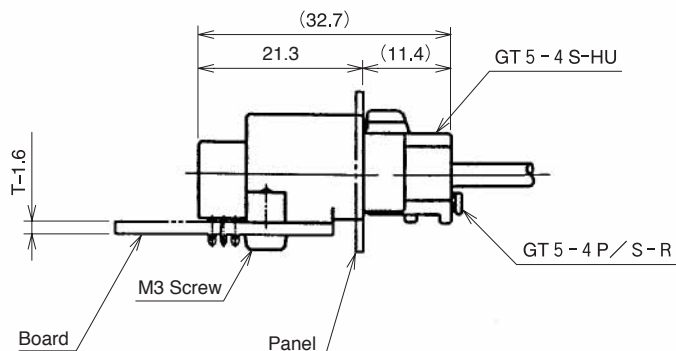
Recommended Board Mounting Pattern



Recommended Panel Cut-out



Mounted and fully mated connector assemblies



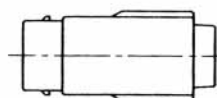
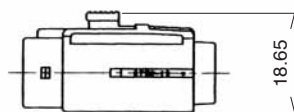
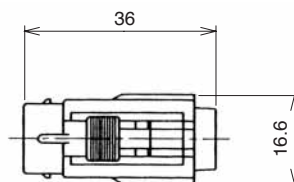
Coaxial cable connection of Antennas, Sensors, and Communication Trunk Lines
 GT 5
 GT 13
 GT 16
 PO5G
 GT 11
 GT 14
 GT 17
 GT 19
 GT 3
 GT 6W
 GT 7
 GT 10
 GT 18W
 GT 15
 GT 8
 GT 9
 GT 25

GT5 Series

For Single Conductor Coaxial shielded Cable - Waterproof Type

F Connector

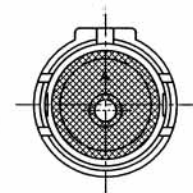
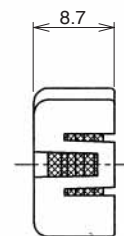
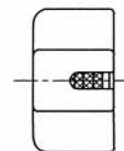
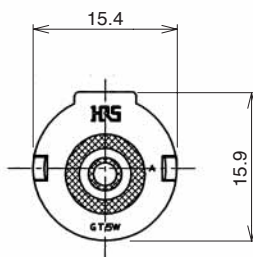
● Housing



Part Number	CL No.	Material	Color	RoHS
GT5W-1S-HU	755-0027-2	PBT	Light gray	YES

Note: Specific retainer is determined by the type of the cable used.

● Retainer (Used with GT5W-1PP-HU, GT5JW-1PP-HU, GT5W-1S-HU and GT5W-1P-HU)



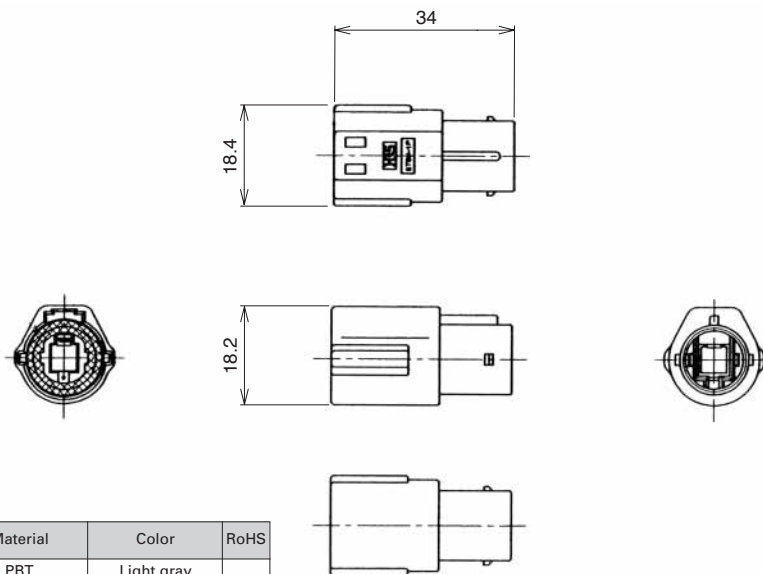
Part Number	CL No.	Material	Color	RoHS
GT5W-1P/S-R	755-0028-5	PBT	Dark gray	YES
		Silicon rubber Compound	Dark blue	

Note: Outer diameter of the cable must be within 2.9 to 3.4 mm. Consult nearest HRS representative for other diameters.

Coaxial cable connection of Antennas, Sensors, and Communication Trunk Lines
 GT 5
 GT 13
 GT 16
 PO5G
 GT 11
 GT 14
 GT 17
 GT 19
 GT 3
 GT 6W
 GT 7
 GT 10
 GT 18W
 GT 15
 GT 8
 GT 9
 GT 25

M Connectors

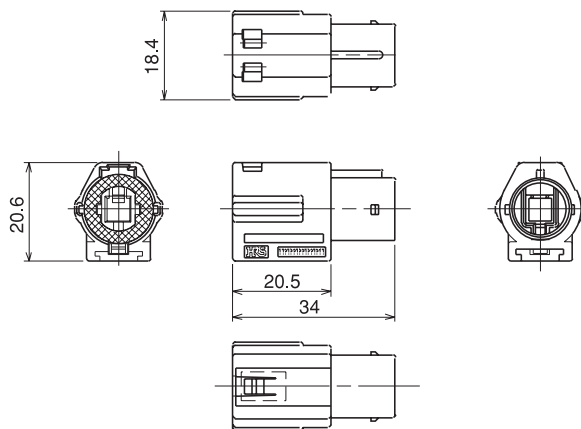
Housing



Part Number	CL No.	Part	Material	Color	RoHS
GT5W-1P-HU	755-0026-0	Housing	PBT	Light gray	YES
		Connector seal	Silicon rubber Compound	White	

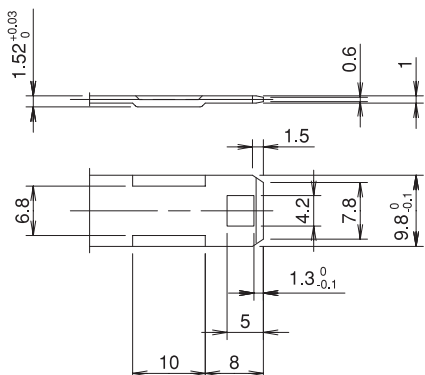
Note: Use correct retainer.

Housings - Bracket Mounting

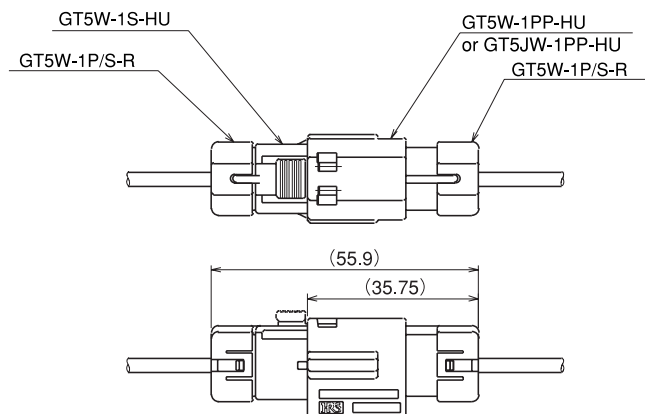


Recommended Bracket Dimensions Diagram (for GT5W-1PP-HU)

Please check elsewhere for information about the bracket for GT5JW-1PP-HU.



Mounted and fully mated connector assemblies

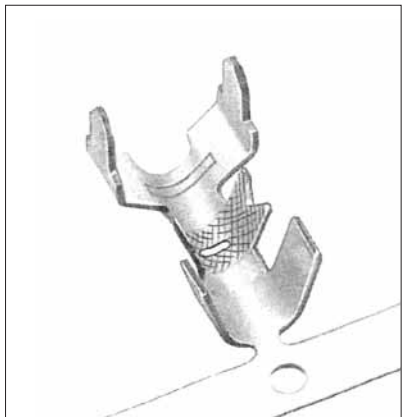


Part Number	CL No.	Part	Material	Color	RoHS
GT5W-1PP-HU	755-0070-1	Housing	PBT	Light gray	YES
GT5JW-1PP-HU	755-0069-2	Connector seal	Silicon rubber Compound	White	

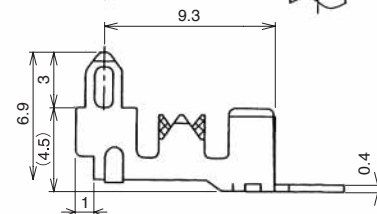
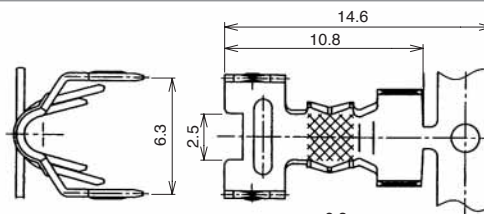
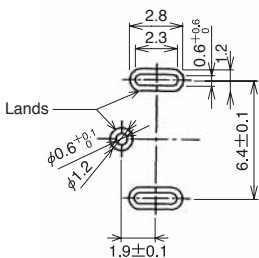
GT5 Series

G Terminals

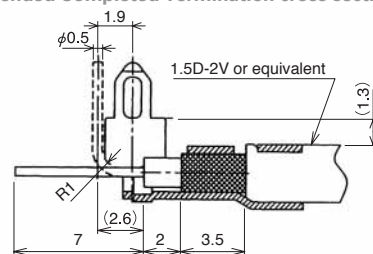
For Direct Coaxial Shielded Cable Termination



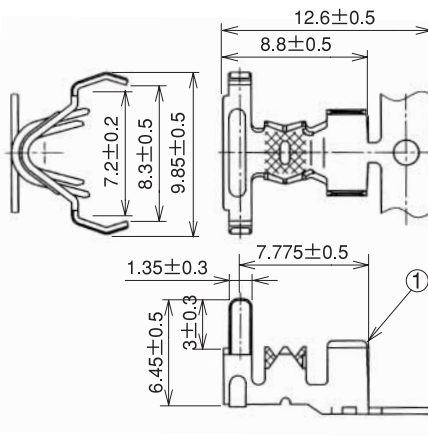
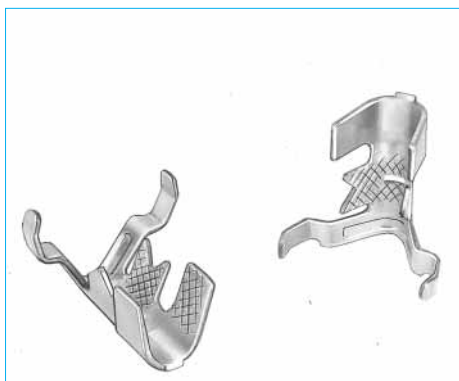
Board Termination Pattern



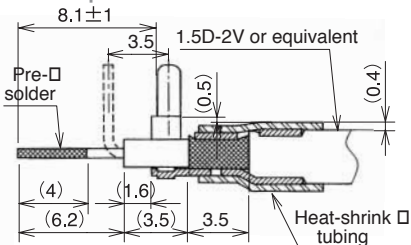
Recommended Completed Termination cross section



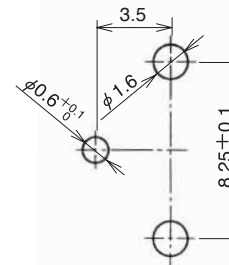
Part Number	CL No.	Material	Finish	Packaging	RoHS
GTA-1.6CF (70)	755-0032-2-70	Brass	Tin plating	1,500 pcs. Per reel	YES



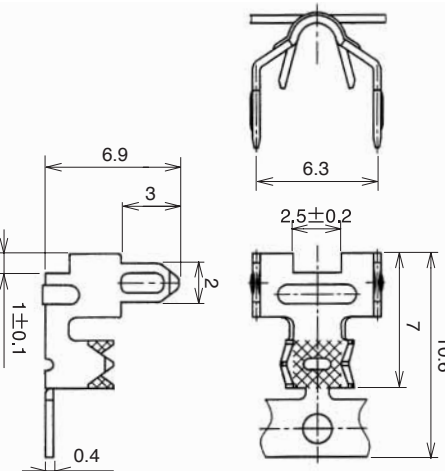
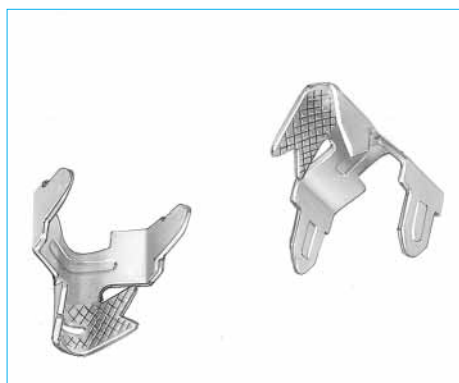
Completed Termination cross section



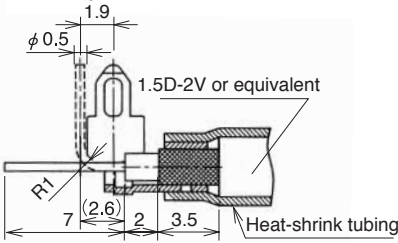
Board Termination Pattern



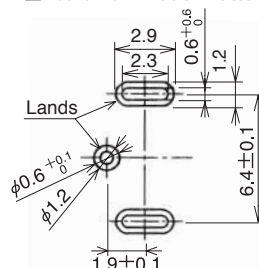
Part Number	CL No.	Material	Finish	Packaging	RoHS
GTB-1.6CF(70)	755-0049-5-70	Brass	Tin plating	1,500 pcs. Per reel	YES



Completed Termination cross section



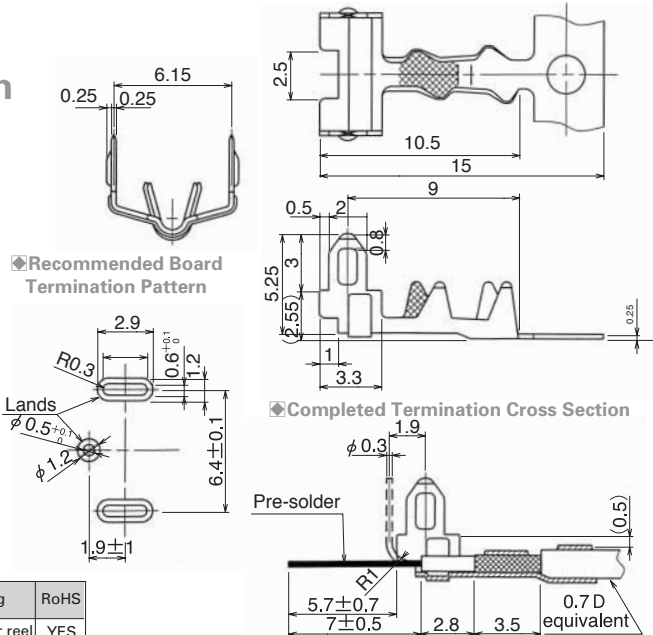
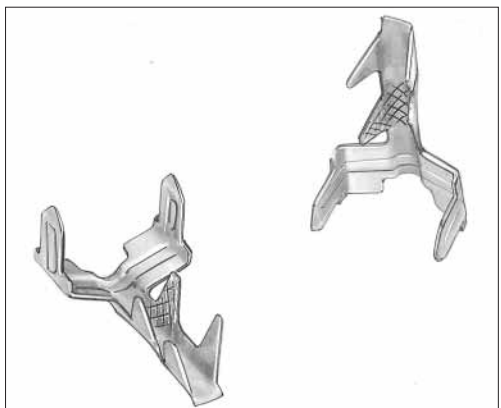
Board Termination Pattern



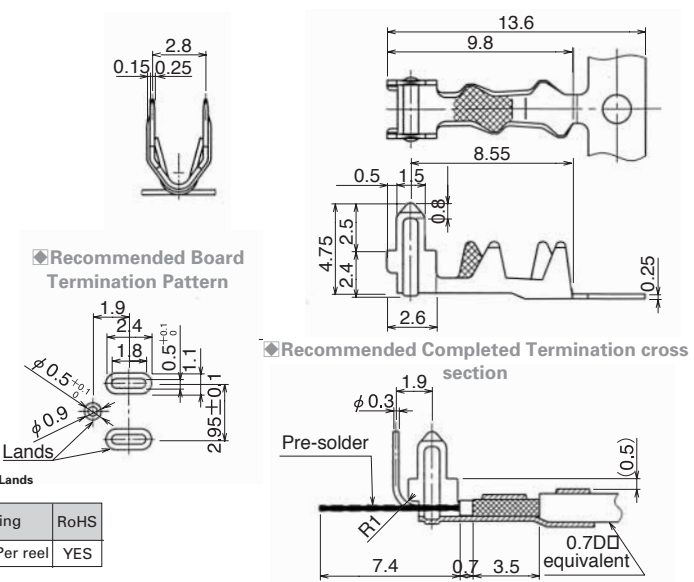
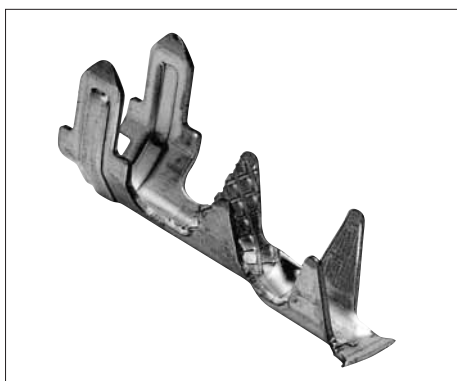
Part Number	CL No.	Material	Finish	Packaging	RoHS
G-1.6PCF(70)	755-0029-8-70	Brass	Tin plating	1,500 pcs. Per reel	YES

Coaxial cable connection of Antennas, Sensors, and Communication Trunk Lines
GT 5
GT 13
GT 16
PO5G
GT 11
GT 14
GT 17
GT 19
GT 3
GT 6W
GT 7
GT 10
GT 18W
GT 15
GT 8
GT 9
GT 25

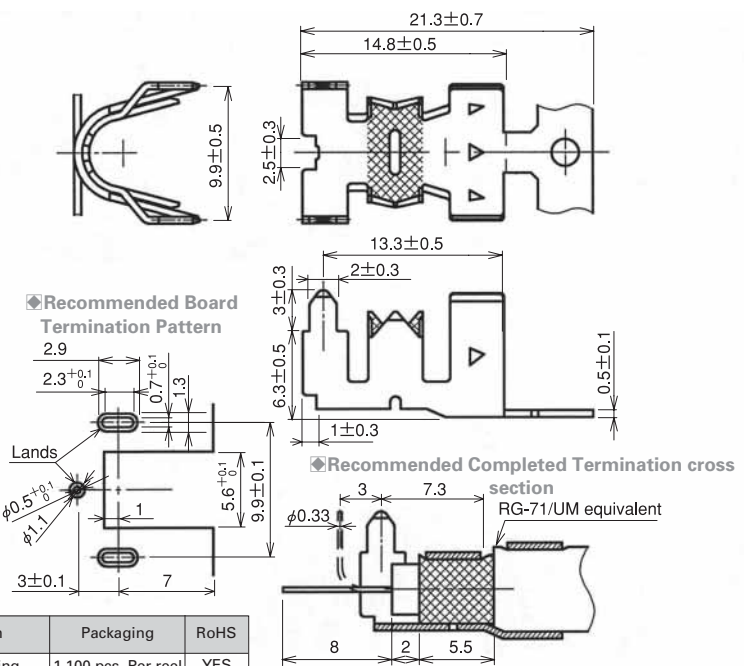
For Direct Coaxial Cable Termination



Part Number	CL No.	Material	Finish	Packaging	RoHS
GTA-0.7CF	755-0074-2	Brass	Tin plating	1,500 pcs. Per reel	YES



Part Number	CL No.	Material	Finish	Packaging	RoHS
GTB-0.7CF	755-0075-5	Brass	Tin plating	1,500 pcs. Per reel	YES



Part Number	CL No.	Material	Finish	Packaging	RoHS
GTE-3.7CF	755-0122-3	Brass	Tin plating	1,100 pcs. Per reel	YES

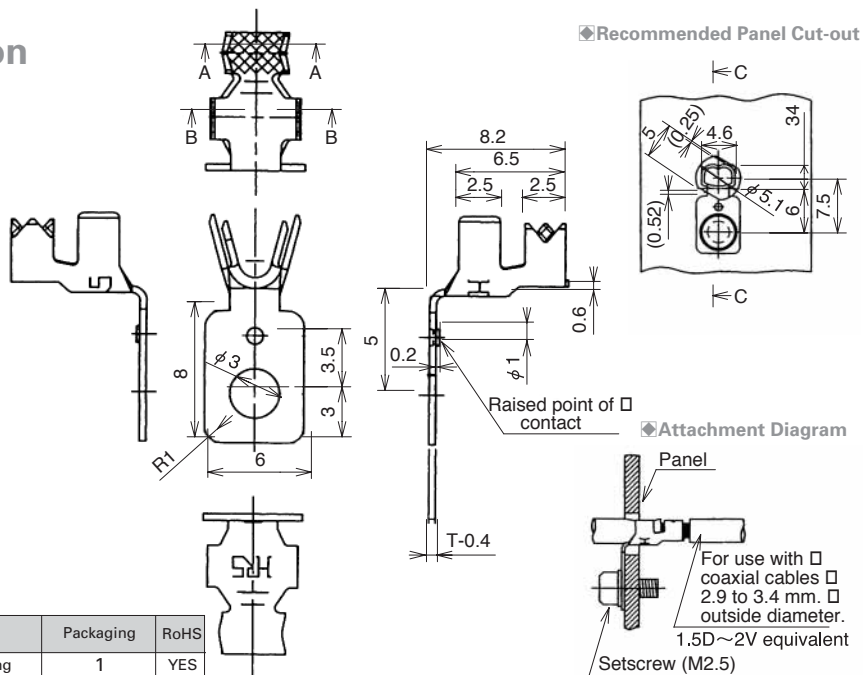
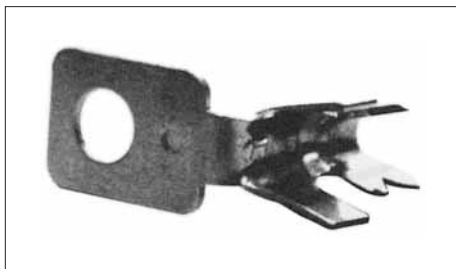
Coaxial cable connection of Antennas, Sensors, and Communication Trunk Lines

- GT 5
- GT 13
- GT 16
- PO5G
- GT 11
- GT 14
- GT 17
- GT 19
- GT 3
- GT 6W
- GT 7
- GT 10
- GT 18W
- GT 15
- GT 8
- GT 9
- GT 25

GT5 Series

Coaxial cable connection of Antennas, Sensors, and Communication Trunk Lines
 GT 5
 GT 13
 GT 16
 PO5G
 GT 11
 GT 14
 GT 17
 GT 19
 GT 3
 GT 6W
 GT 7
 GT 10
 GT 18W
 GT 15
 GT 8
 GT 9
 GT 25

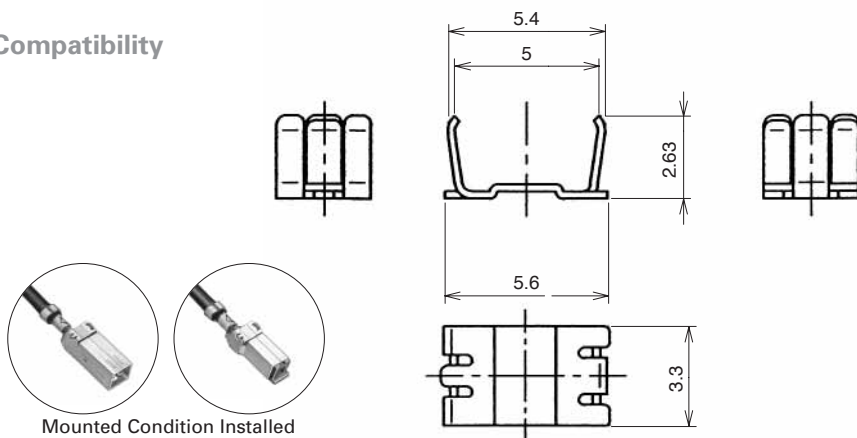
For Mid-Cable Termination



Part Number	CL No.	Material	Finish	Packaging	RoHS
GT-1.6PG-C(70)	755-0031-0-70	Brass	Tin plating	1	YES

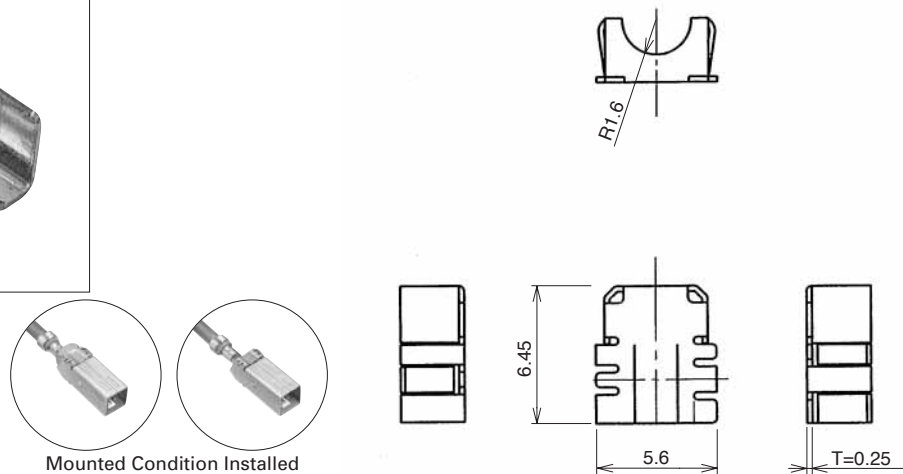
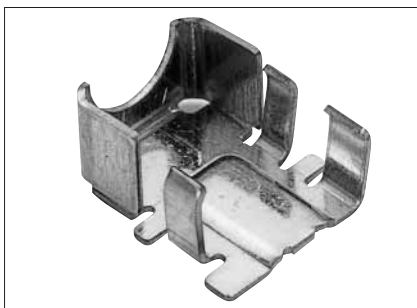
Bottom Shield cover

For Improved Electronic Noise Compatibility



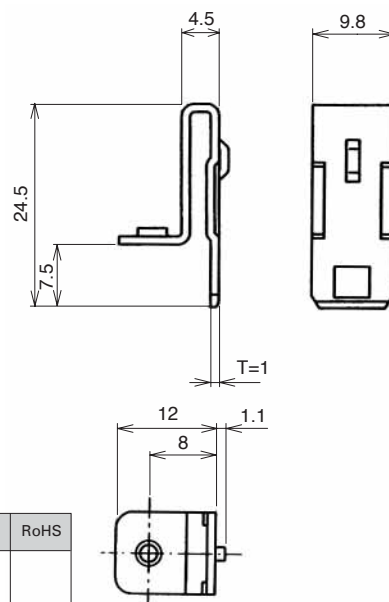
Part Number	CL No.	Material	Finish	RoHS
GT5-1P/S-CSB(70)	755-0048-2-70	Brass	Tin plating	YES

Top Shield cover



Part Number	CL No.	Material	Finish	RoHS
GT5C-1P-CSB(70)	755-0088-7-70	Brass	Tin plating	YES

■ Panel Mounting In-line Bracket



Part Number	CL No.	Material	Finish	Used with connectors	RoHS
GT-BK(70)	751-0039-6-70	SPCC	Tin plating	GT5-1PP-HU(70), GT5-1PP-HU(B)(70) GT5-1PP-HU(A)(70), GT5-1PP-HU(D)(70) GT5-1PP-HU(C)(70), GT5-1PP-HU(I)(70) GT5-1PP-HU(E)(70), GT5-1PP-HU(K)(70) GT5-1PP-HU(J)(70), GT5-2PP-HU(70) GT5-2/1PP-HU(70), GT5-2PP-HU(B)(70) GT5-2PP-HU(A)(70), GT5-2PP-HU(D)(70) GT5-2PP-HU(C)(70)	YES

◆ Termination Tools

User's manuals are available. Please ask your Hirose Electric account representative.

Automatic crimping machine



Part Number CM-105

Specifications

Item	Specification	Remarks
Specification	1.5tons	
Stroke length	30mm	
Number of strokes	200spm(50Hz)	200spm(60Hz)
Weight	75kg	
Motor	0.2kW	AC100V
Crimping speed	2000 to 4000pcs. Per hour	

* Crimp height setting tables are available for each cable type. Please contact your nearest Hirose Electric account representative.
 Different cables will require different crimp height settings.

GT5 Series

● Harnes Tool

Name of Applicable Terminal	Name of Applicable Applicator	CL No.
GT5-30/0.7-1.5PCF(70)	AP105-GT5-30/0.7-1.5P	CL901-5021-8
GT5-30/0.7-1.5SCF(70)	AP105-GT5-30/0.7-1.5S	CL901-5080-7
GT5-2428/1.1-2.2SCF	AP105-GT5-2428/1.1-2.2S-ID	CL901-5171-0
GT5-2428/1.6-2.5PCF(70)	AP105-GT5-2428/1.6-2.5P	CL901-5100-2
GT5-2428/1.6-2.5SCF(70)	AP105-GT5-2428/1.6-2.5S	CL901-5101-5
GT5-30/1.6-2.9PCF(70)	AP105-GT5-30/1.6-2.9P-ID	CL901-5019-6
	AP105-GT5-30/1.6-2.9P	CL901-5017-0
	AP105-GT5-30/1.6-2.9P-A	CL901-5040-2
GT5-30/1.6-2.9SCF(70)	AP105-GT5-30/1.6-2.9S-ID	CL901-5020-5
	AP105-GT5-30/1.6-2.9S	CL901-5018-3
GT5-2428/1.6-2.9PCF(70)	AP105-GT5-2428/1.6-2.9P	CL901-5029-0
	AP105-GT5-2428/1.6-2.9PWS	CL901-5031-1
	AP105-GT5-2428/1.6-2.9P-B	CL901-5103-0
GT5-2428/1.6-2.9SCF(70)	AP105-GT5-2428/1.6-2.9S	CL901-5030-9
	AP105-GT5-2428/1.6-2.9SWS	CL901-5032-4
	AP105-GT5-2428/1.6-2.9S-B	CL901-5104-3
GT5-2022/1.6-2.9SCF(70)	AP105-GT5-2022/1.6-2.9S	CL901-5088-9
GT5-2022/F2.7-3.5PCF(70)	AP105-GT5-2022/F2.7-3.5P	CL901-5091-3
GT5-2022/F2.7-3.5SCF(70)	AP105-GT5-2022/F2.7-3.5S	CL901-5092-6
GT5-2022/F3.3-3.8PCF(70)	AP105-GT5-2022/F3.3-3.8P	CL901-5075-7
GT5-2022/F3.3-3.8SCF(70)	AP105-GT5-2022/F3.3-3.8S	CL901-5076-0
GT5-2428/F3.3-5PCF(70)	AP105-GT5-2428/F3.3-5P-ID	CL901-5037-8
GT5-2428/F3.3-5SCF(70)	AP105-GT5-2428/F3.3-5S-ID	CL901-5038-0
GT5-2022/F3.3-5PCF(70)	AP105-GT5-2022/F3.3-5P-ID	CL901-5058-8
	AP105-GT5-2022/F3.3-5P	CL901-5059-0
	AP105-GT5-2022/F3.3-5P2.2D-ID	CL901-5070-3
GT5-2022/F3.3-5SCF(70)	AP105-GT5-2022/F3.3-5S-ID	CL901-5060-0
	AP105-GT5-2022/F3.3-5S	CL901-5061-2
	AP105-GT5-2022/F3.3-5S2.2D-ID	CL901-5071-6
GT5-30/F4-5PCF(70)	AP105-GT5-30/F4-5P-ID	CL901-5033-7
GT5-30/F4-5SCF(70)	AP105-GT5-30/F4-5S-ID	CL901-5034-0
GT5-2428/F4-5PCF(70)	AP105-GT5-2428/F4-5P-ID	CL901-5035-2
	AP105-GT5-2428/F4-5P-3C2V	CL901-5056-2
GT5-2428/F4-5SCF(70)	AP105-GT5-2428/F4-5S-ID	CL901-5036-5
	AP105-GT5-2428/F4-5S-3C2V	CL901-5057-5
GT5-2022/F4-5PCF(70)	AP105-GT5-2022/F4-5P-ID	CL901-5054-7
	AP105-GT5-2022/F4-5P	CL901-5052-1
	AP105-GT5-2022/F4-5P-18ID	CL901-5121-2
	AP105-GT5-2022/F4-5P-RG58	CL901-5105-6
GT5-2022/F4-5SCF(70)	AP105-GT5-2022/F4-5S-ID	CL901-5055-0
	AP105-GT5-2022/F4-5S	CL901-5053-4
	AP105-GT5-2022/F4-5S-18ID	CL901-5102-8
	AP105-GT5-2022/F4-5S-RG58	CL901-5106-9
G-1.6PCF(70)	AP105-G-1.6P	CL901-5041-5
GTA-0.7CF	AP105-GTA · B-0.7P	
GTB-0.7CF	AP105-GTA · B-0.7P	
GTA-1.6CF(70)	AP105-GTA · B-1.6P	CL901-5047-1
GTB-1.6CF(70)	AP105-GTA · B-1.6P	CL901-5047-1

Coaxial cable connection of Antennas, Sensors, and Communication Trunk Lines

GT 5

GT 13

GT 16

PO5G

GT 11

GT 14

GT 17

GT 19

GT 3

GT 6W

GT 7

GT 10

GT 18W

GT 15

GT 8

GT 9

GT 25