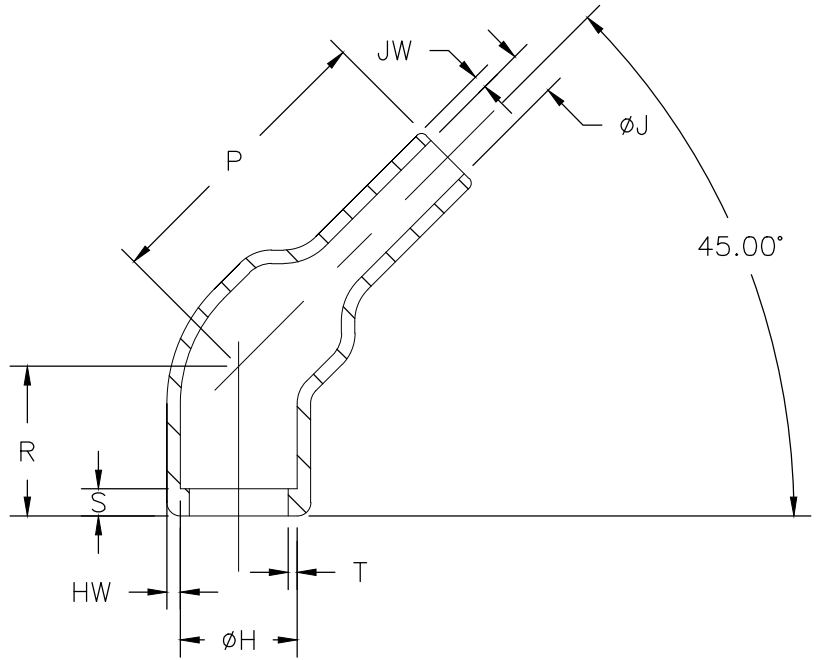
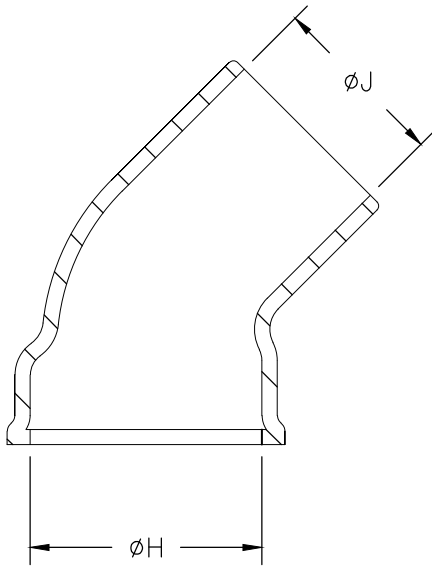


REVISIONS				
P	LTR	DESCRIPTION	DATE	APVD
G		PRODUCTION ISSUE	29JAN2019	MT



AS SUPPLIED

AFTER UNRESTRICTED RECOVERY

TABLE OF DIMENSIONS

PART DESCRIPTION	H		J		P ±10% b	R ±10% b	S ±10% b	T ±10% b	HW ±20% b	JW ±20% b
	MIN	MAX	MIN	MAX						
	a	b	a	b						
243D012	19.0 [.75]	14.2 [.56]	8.0 [.31]	4.1 [.16]	24.0 [.94]	10.0 [.39]	3.0 [.12]	1.0 [.04]	2.3 [.09]	1.9 [.07]
243D022	24.0 [.94]	17.8 [.70]	12.0 [.47]	5.6 [.22]	27.0 [1.06]	10.0 [.39]	3.0 [.12]	1.0 [.04]	2.8 [.11]	1.9 [.07]

THIS DRAWING IS UNPUBLISHED.

ALL RIGHTS RESERVED.

© COPYRIGHT - TE Connectivity Ltd.

DIMENSIONS:
mm [INCHES]

DWN
PRAVEEN N T 29JAN2019

MATERIAL
SEE SHEET 2

FINISH

—

TOLERANCES UNLESS OTHERWISE SPECIFIED:

CHK
N NAGAR 29JAN2019

APVD
M TAYLOR 29JAN2019



TE Connectivity Ltd.

- 0 PLC ± -
- 1 PLC ± 0.50[.10]
- 2 PLC ± 0.25[.01]
- 3 PLC ± 0.13[.005]
- 4 PLC ± -
- ANGLES ± 1°

PRODUCT SPEC

—

APPLICATION SPEC

—

WEIGHT

NAME

45 DEGREE BOOT, THICK WALL,
WITH LIP

SIZE

CAGE CODE

DRAWING NO

RESTRICTED TO

A4

00779

243D0XX-XX-0

—

CUSTOMER DRAWING

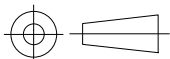
SCALE

DNS

SHEET

1 OF 2

REV G



REVISIONS

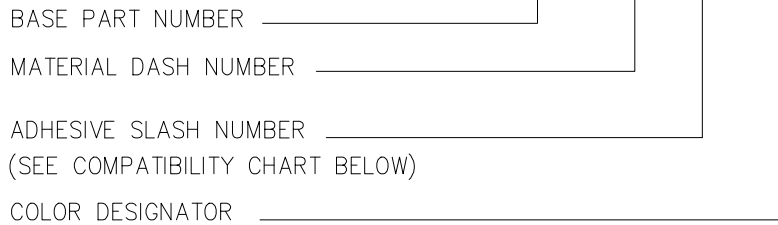
P	LTR	DESCRIPTION	DATE	DWN	APVD
	-	SEE SHEET 1	-	-	-

COMPATABILITY CHART

MATERIAL DASH NO.	MATERIAL DESCRIPTION	RT SPEC	COATING SLASH NO.	COATING S NO.
-3	Polyolefin, Semi-rigid	RT-301	/42;/86;/180	S1017;S1048;S1030
-4	Polyolefin, Flexible	RT-1304	/42;/86;/180	S1017;S1048;S1030
-25	Elastomer, Fluid Resistant	RW-2070	/42;/86;/225	S1017;S1048;S1206
-100	Polyolefin, Semi-flexible ZEROHAL	RW-2082	/86;/180	S1048;S1030

ORDERING INFORMATION

243D0XX -XX /XX -0



NOTES

- DIMENSIONS APPEARING IN TABLE ARE AS FOLLOWS:
 - a - AS SUPPLIED
 - b - AFTER UNRESTRICTED RECOVERY
- COATING IS OPTIONAL. AS SUPPLIED DIMENSIONS APPEARING IN TABLE ARE FOR UNCOATED PARTS WHEN COATING IS ADDED, ENTRY DIAMETERS WILL BE REDUCED BY 1.5[.06] MAX.
- /225 IS NOT AVAILABLE ON 243D012, ORDER 243D012-25-G04/225-0

RELEASED FOR PUBLICATION

ALL RIGHTS RESERVED.

© COPYRIGHT - TE Connectivity Ltd.

THIS DRAWING IS UNPUBLISHED.

DIMENSIONS: mm [INCHES]	DWN PRAVEEN N T	29JAN2019	MATERIAL	-	FINISH	-		
	CHK N NAGAR	29JAN2019	TE Connectivity Ltd.					
TOLERANCES UNLESS OTHERWISE SPECIFIED:	APVD M TAYLOR	29JAN2019						
0 PLC ± -	PRODUCT SPEC	-	NAME 45 DEGREE BOOT, THICK WALL, WITH LIP					
1 PLC ± 0.50[.10]	APPLICATION SPEC	-						
2 PLC ± 0.25[.01]	WEIGHT	-	SIZE	A4	CAGE CODE	00779		
3 PLC ± 0.13[.005]			DRAWING NO	G-243D0XX-XX-0		RESTRICTED TO	-	
4 PLC ± -			CUSTOMER DRAWING					
ANGLES ± 1°			SCALE	DNS	SHEET	2 OF 2	REV	G

