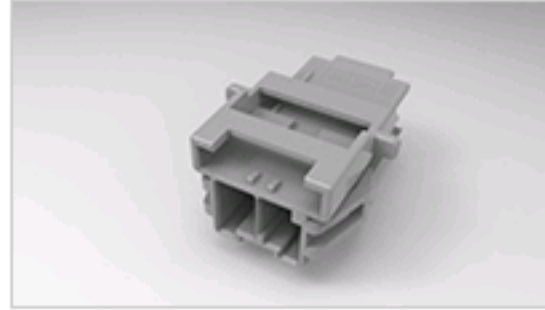




6-1971772-2 Product Details

[Share](#) | [Print](#) | [Email](#)


Power Triple Lock Connector System

1x2 cap housing panel mount Key B lgr

6-1971772-2

TE Internal Number: 6-1971772-2

Active

[View 3D PDF](#)

Product Highlights [View All](#)

- Power Triple Lock Product Line
- Wire-to-Panel
- Applies To Panel
- Connector
- Connector Assembly

[Pricing & Availability](#)

[Request Sample](#)

[Add to My Part List](#)

[Buy Product through Distributor](#)

Feedback

[Documents](#) | [Features](#) | [Compliance](#)

Please Note:
Use the Product Drawing for all design activity

Product Type Features	
Product Line	Power Triple Lock
Product Type	Connector
Connector Type	Connector Assembly
Mechanical Attachment	
Mating Retention Type	Latch(ing)
Panel Mount Retention	With
Mount	Panel
Panel Mount Retention Type	Mounting Ear(s)
Electrical Characteristics	
Operating Voltage (VAC)	600
Operating Voltage (VDC)	600
Dimensions	
Panel Thickness (mm [in])	1.00 - 2.00 [0.039 - 0.079]
Body Features	
Mating Retention	With
Contact Features	
Contact Layout	In-Line
Housing Features	
Connector Style	Receptacle
Centerline (mm [in])	6.00 [0.236]
Housing Material	Nylon - GF
Housing Color	Light Gray

Configuration Features	
Number of Positions	2
Industry Standards	
RoHS/ELV Compliance	RoHS compliant, ELV compliant
Lead Free Solder Processes	Not reviewed for lead free solder process
RoHS/ELV Compliance History	Always was RoHS compliant
UL Flammability Rating	UL 94V-0
Identification Marking	
Keying	B
Environmental	
Operating Temperature (°C [°F])	-55 - +150 [-67 - +302]
Halogen Free	Yes
Conditions for Usage	
Applies To	Panel
Glow Wire Rating	High Temperature Part - Not Glow Wire
Operation/Application	
Application Use	Wire-to-Panel
Contact Transmits (Typical Application)	Power
Other	
Brand	TE Connectivity

Related Products

Not quite the product you're looking for?
[Find Similar Products](#)

[View Part in Product Feature Selector](#)

[Check for Tooling](#)

Corporate Information

- [About TE](#)
- [Investors](#)
- [News Room](#)
- [Supplier Portal](#)
- [Careers](#)
- [Terms & Conditions](#)
- [Privacy Policy](#)
- [Global Accessibility Statement](#)

Quick Links

- [Distributor Inventory](#)
- [Product Cross Reference](#)
- [Documents & Drawings](#)
- [Product Compliance Support Center](#)
- [Site Map](#)

Customer Support

- [Email or Chat With Us](#)
- [Find a Phone Number](#)
- [Knowledge Base](#)
- [Manage Your Account](#)

Keep Me Informed

