

PROT-M12 - Screw plug

1680539

<https://www.phoenixcontact.com/ae/products/1680539>

Please be informed that the data shown in this PDF document is generated from our online catalog. Please find the complete data in the user documentation. Our general terms of use for downloads are valid.



An M12 screw plug for the unoccupied M12 sockets of the sensor/actuator cable, boxes and flush-type connectors

Your advantages

- Reliable protection of unoccupied slots during transport and use in the field
- Protected against splash water and dust
- Easy assembly using a screwdriver

Commercial data

Item number	1680539
Packing unit	5 pc
Minimum order quantity	5 pc
Sales key	AF3
Product key	AF3ZAX
GTIN	4017918163389
Weight per piece (including packing)	2.25 g
Weight per piece (excluding packing)	0.826 g
Customs tariff number	39269097
Country of origin	DE

PROT-M12 - Screw plug

1680539

<https://www.phoenixcontact.com/ae/products/1680539>

Technical data

Notes

Note on application	Also suitable for M12 push-pull.
---------------------	----------------------------------

Product properties

Product type	Plug for cable screw gland
Thread type	M12

Connection data

Tightening torque	0.4 Nm
-------------------	--------

Dimensions

Dimensional drawing	
Diameter	15 mm

Material specifications

Flammability rating according to UL 94	V0
Material for screw connection	PA 6.6
Standards/regulations	PA 6.6

Environmental and real-life conditions

Ambient conditions

Degree of protection	IP65 IP67
Ambient temperature (operation) (male connector/female connector)	-40 °C ... 85 °C

PROT-M12 - Screw plug

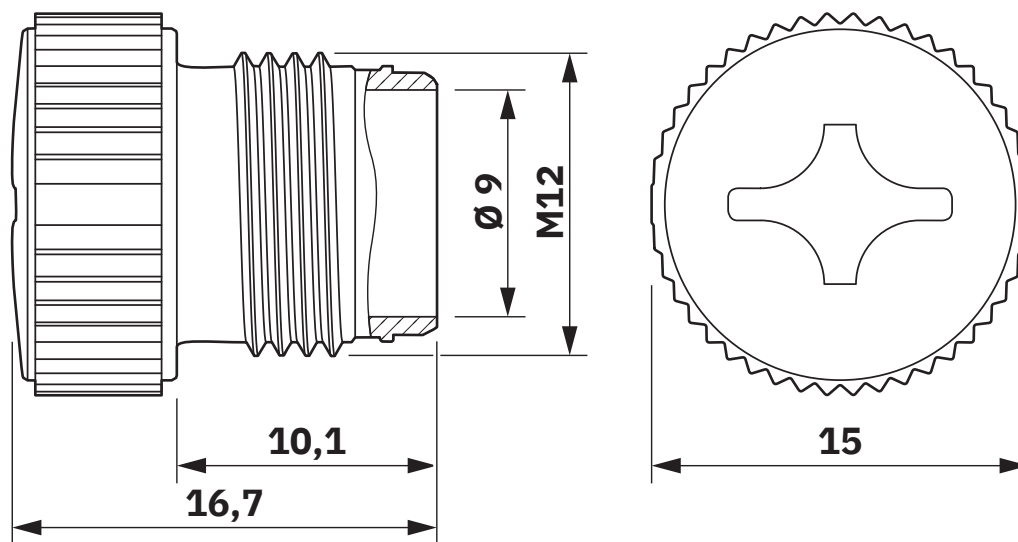
1680539

<https://www.phoenixcontact.com/ae/products/1680539>



Drawings

Dimensional drawing



PROT-M12 - Screw plug

1680539

<https://www.phoenixcontact.com/ae/products/1680539>



Approvals

To download certificates, visit the product detail page: <https://www.phoenixcontact.com/ae/products/1680539>



UL Recognized

Approval ID: E240868

PROT-M12 - Screw plug



1680539

<https://www.phoenixcontact.com/ae/products/1680539>

Classifications

ECLASS

ECLASS-13.0	23111190
ECLASS-15.0	23111190

ETIM

ETIM 9.0	EC000032
----------	----------

UNSPSC

UNSPSC 21.0	31261500
-------------	----------

PROT-M12 - Screw plug



1680539

<https://www.phoenixcontact.com/ae/products/1680539>

Environmental product compliance

EU RoHS

Fulfills EU RoHS substance requirements	Yes, No exemptions
---	--------------------

China RoHS

Environment friendly use period (EFUP)	EFUP-E
	No hazardous substances above the limits

EU REACH SVHC

REACH candidate substance (CAS No.)	No substance above 0.1 wt%
-------------------------------------	----------------------------

Phoenix Contact 2025 © - all rights reserved
<https://www.phoenixcontact.com>

PHOENIX CONTACT Middle East FZ LLC
1201N-1206N, Dubai Science Park Towers – North
P.O. Box 345002, Dubai, United Arab Emirates
(+971) 4 437-0324
info-me@phoenixcontact.com