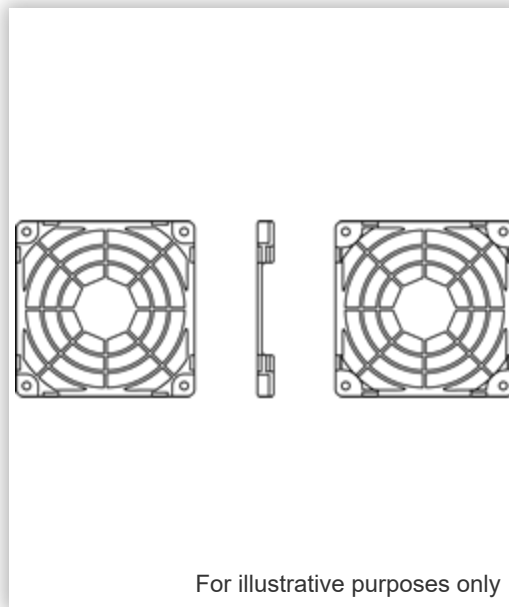




## San Ace Resin finger guard 109-1002G

RoHS directive



Specifications ▾

Download Materials List ▾

Related Information ▾

## Specifications

<b>Model No.</b>	109-1002G	<b>Frame size [mm]</b>	80
<b>Material</b>	Frame: Resin (PPE + PS), UL file no. E822 68 94V-0	<b>Operating temperature</b>	-20 to +70°C (non-condensing)
<b>Remarks</b>	Use for either inlet/outlet side	<b>Mass [g]</b>	10



Home > San Ace Cooling Systems > Option > **109-1002G**

Materials	Material No.	File Size	Download Link
Catalog			▶ <a href="#">Download</a>
CAD	<b>109-1002G</b> _RFG	1.1 MB	▶ <a href="#">Fill out form to download</a>

## Related Information

- ▶ [Airflow Tester Product Registration](#)
- ▶ [San Ace Controller Product Registration](#)
- ▶ [Software](#)
- ▶ [Manual](#)
- ▶ [Catalog Site](#)
- ▶ [RoHS Directive compliance of your products](#)
- ▶ [Eco Products—Compliant with Eco-design](#)
- ▶ [Fan Instruction Manual](#)
- ▶ [Safety Precautions](#)
- ▶ [Part Numbering System / The meaning of the specifications](#)
- ▶ [Index by Model No. - DC Fans](#)
- ▶ [Index by Model No. - ACDC Fans and AC Fans](#)
- ▶ [Technical Information](#)

# SANYODENKI PRODUCTS



Home > San Ace Cooling Systems > Option > **109-1002G**



[Conditions of Use](#)   [Privacy Statement](#)   [Privacy Notice \(GDPR\)](#)

© SANYO DENKI CO., LTD.