

# AS-MLV-P2

## Air Quality Sensor

### General Description

The **ams** AS-MLV-P2 is a MOS (metal oxide semiconductor) based gas sensor component. It was specifically designed for a broad detection of reducing gases such as VOCs (volatile organic compounds) and CO (carbon monoxide) associated with bad air quality. The AS-MLV-P2 sensor component is a MEMS (micro electromechanical system) device using silicon wafer technology.

*Ordering Information and Content Guide appear at end of datasheet.*

### Key Benefits & Features

The benefits and features of AS-MLV-P2, Air Quality Sensor are listed below:

**Figure 1:**  
Added Value of Using AS-MLV-P2 Sensor

Benefits	Features
<ul style="list-style-type: none"> <li>• High sensitivity to volatile organic compounds (VOCs)</li> </ul>	<ul style="list-style-type: none"> <li>• Limit of detection in a low ppm range</li> </ul>
<ul style="list-style-type: none"> <li>• Very low power consumption</li> </ul>	<ul style="list-style-type: none"> <li>• 34 mW at 300°C</li> </ul>
<ul style="list-style-type: none"> <li>• Maintenance free</li> </ul>	<ul style="list-style-type: none"> <li>• 10 year lifetime</li> </ul>
<ul style="list-style-type: none"> <li>• Reflow capable</li> </ul>	<ul style="list-style-type: none"> <li>• Surface Mount Package</li> </ul>

### Applications

- Indoor air monitor
- Kitchen hood
- Weather stations
- Smart home
- Internet of Things (IoT)

## Pin Assignment

Figure 2:  
Pin Diagram

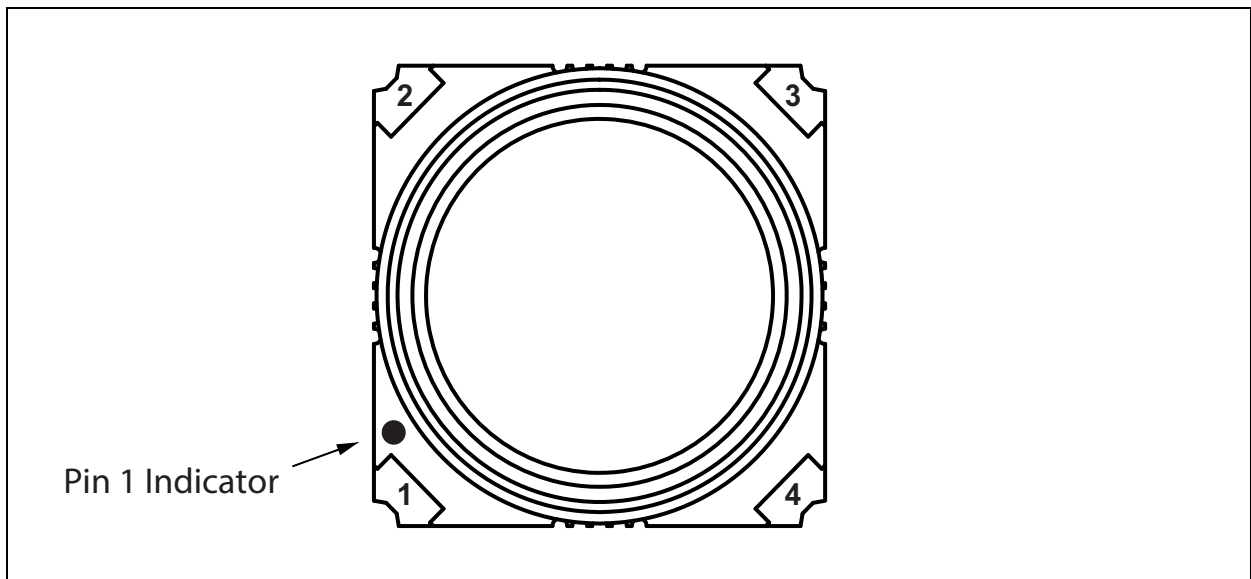


Figure 3:  
Pin Description

Pin Number	Pin Name	Description
1	RS1	Sensor electrode 1
2	RH1	Heater 1
3	RS2	Sensor electrode 2
4	RH2	Heater 2

## Environmental Specifications

The sensor element characteristics are valid under the following environmental conditions:

**Figure 4:**  
**Environmental Operating Conditions**

Description	Value
<b>Ambient Operating Range</b>	
Temperature range	0°C to 50°C
Humidity range (relative humidity, non-condensing)	5% to 95%
<b>Ambient Storage Range</b>	
Storage temperature range	-40°C to 85°C
Storage humidity range (relative humidity, non-condensing)	5% to 95%
<b>Air Flow</b>	
Experienced air velocity	0m/s to 4m/s

**Note(s):**

1. The sensor must be kept separate from all sources of silicone contamination to fulfill the functional and lifetime requirements.

## Electrical Characteristics

The sensor elements operate at an elevated temperature. The elevated temperature is realized by means of the Pt heater which is implemented within the silicon nitride membrane. The recommended operating temperature for the AS-MLV-P2 is 300°C, which is equivalent to an applied power of approx. 34mW at room temperature.

**Figure 5:**  
Electrical Characteristics

Description	Value
<b>Resistance Values</b>	
Sensor resistance range	3kΩ to 3MΩ
Typical baseline in ambient air	50kΩ to 500kΩ
Heater resistance <sup>(2)</sup>	150Ω ± 30Ω at 300°C
<b>Absolute Maximum Supply Ratings</b>	
Power supply	50mW (very short time range)
Heater current	25mA
Heater Voltage	3.0 V
<b>Lifetime Requirements</b>	
Expected lifetime <sup>(1)</sup>	10 years
With a minimum of	85.000 hours
On/off cycles	20.000 times
<b>Sensor Element Response</b>	
Response from	10%
To its final value	90%
For 0 - 20 ppm CO within	< 10sec
<b>Sensor Element Recovery</b>	
Response from	10%
To its final value	90%
Back from 20 – 0 ppm CO	< 1min

**Note(s):**

1. This lifetime can only be reached with respect to the recommended operation of the sensor. Especially the maximum ratings during operation have to be followed carefully. With this background, the AS-MLV-P2 is maintenance free and shall require no replacement during specified lifetime.
2. Pt heater element operates at 300°C

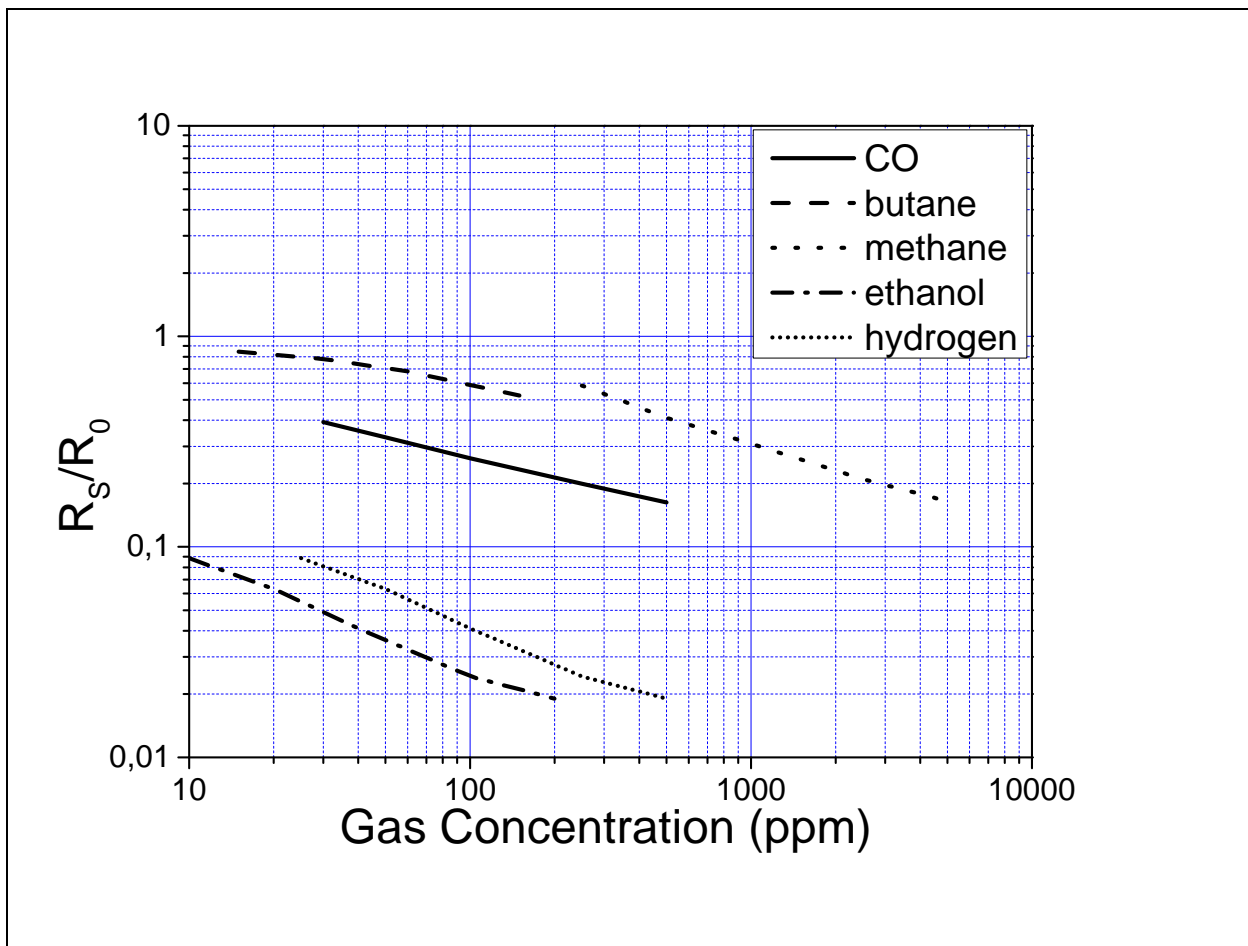
## Detailed Description

AS-MLV-P2 heater and inter-digital electrode structures use Platinum and are implemented in an approximately one micrometer-thin silicon nitride membrane to achieve ultimate stability and lowest possible power consumption. A highly sensitive and long-term stable polycrystalline tin dioxide-based sensitive material is deposited on the inter-digital electrodes. At an elevated operation temperature of approx. 300°C, this catalytically active material shows a gas concentration dependent resistance change.

## Sensing Properties

The AS-MLV-P2 sensor component shows a strong sensitivity to a wide range of reducing gases as can be seen in Figure 6. Please note that those results may vary due to different environmental conditions.

**Figure 6:**  
Sensor Sensitivity

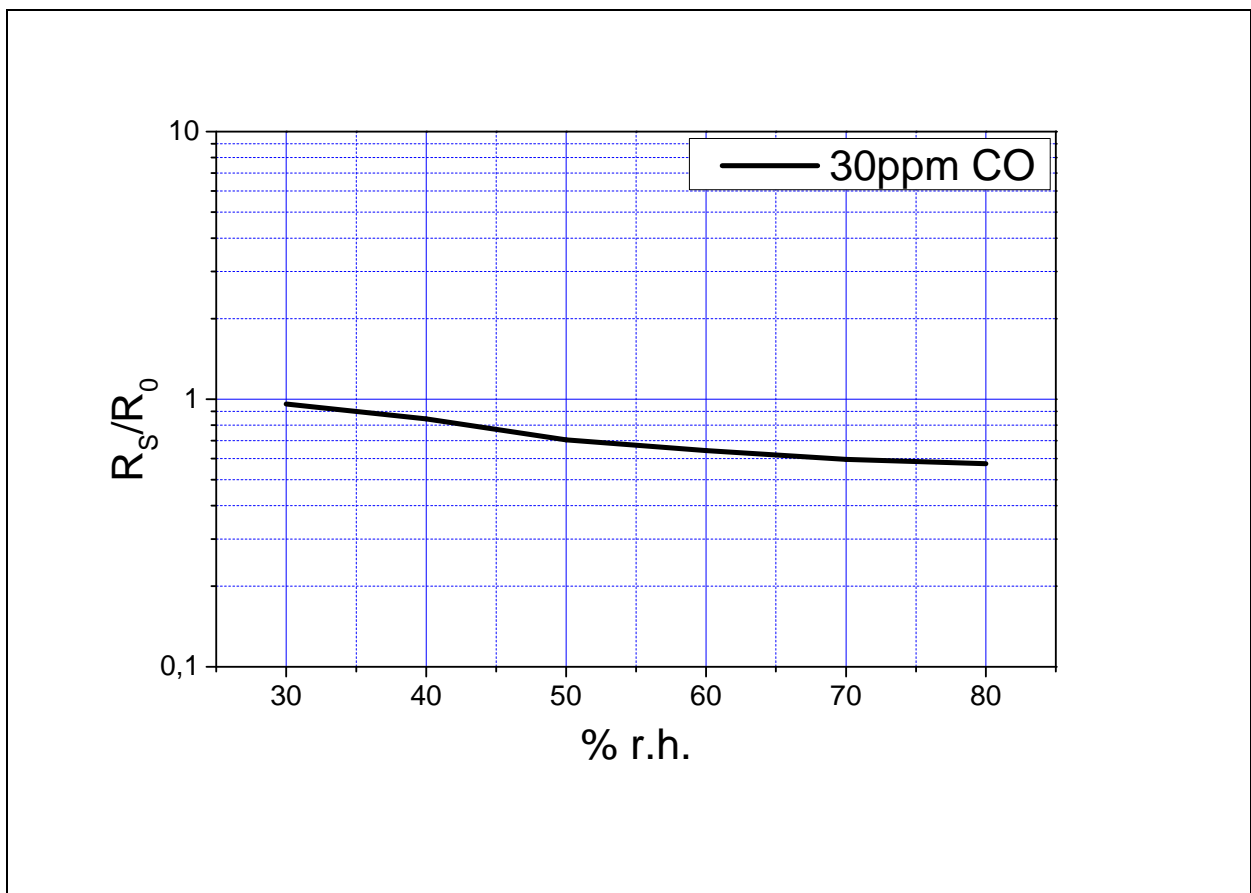


**Sensor Sensitivity:** Sensitivities for various gas concentrations, this graph shall just give an indication and can vary slightly from sensor to sensor.

### Cross Sensitivities

Due to the basic operation principle of MOS gas sensors, the AS-MLV-P2 sensor component does have a cross sensitivity to humidity changes. This effect provides additional information and widens the application range for the sensor. This feature especially supports applications in environments where the detection of significant humidity changes is supporting the functionality, such as bathroom and kitchen environments. Figure 7 shows the dependency of humidity using the example of CO signals to get a visualized feeling for the effect. Please note that this dataset is just meant to be an example and the values may vary from sensor to sensor.

**Figure 7:**  
Cross Sensitivity of Humidity for CO



**Cross Sensitivity of Humidity for CO:** Cross sensitivity of humidity for the example of CO. This data is just meant to be a visualization of the influence of humidity and will vary slightly from sensor to sensor.

## Application Information

Due to the characteristics of the sensor, there are some issues to be taken care of while implementing. The operation temperature of the sensor has to be kept constant; therefore the circuit on heater site shall have the possibility to be regulated. The critical issue of the sensor resistance is the wide range of values which has to be covered during operation.

All following circuits are meant to be examples which have to be adapted carefully to the different applications.

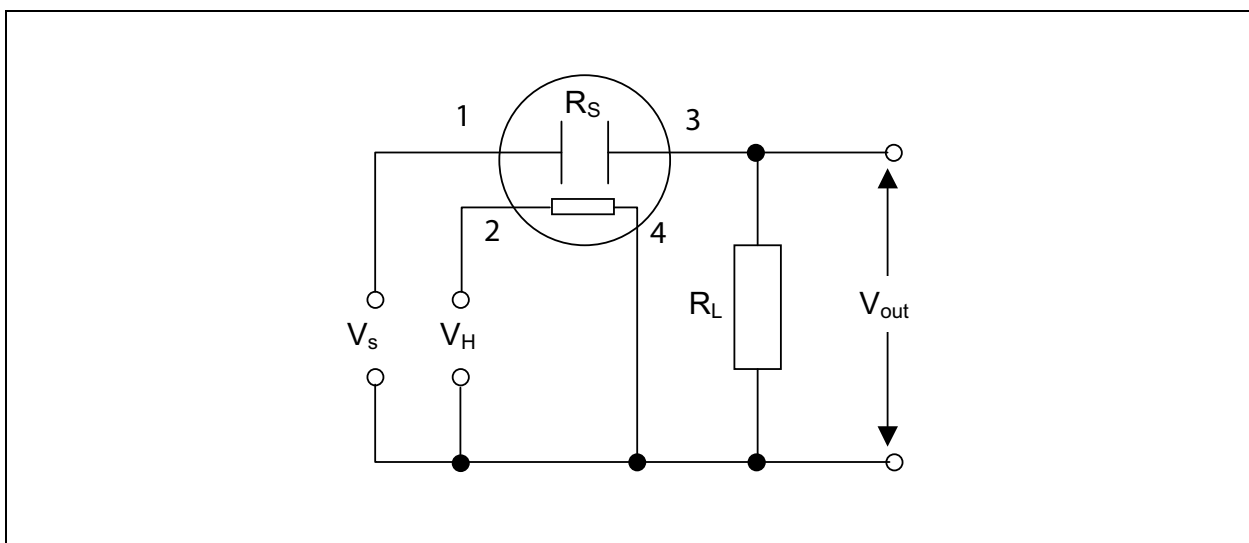
### Sensor Resistance

The sensitive layer can change its resistance over several orders of magnitude, depending on the production and gas exposition. The electrical power dissipated in the sensitive layer must be limited and must not exceed 2mA. This power shall also avoid performing high changes over short time. Because of this issue a measuring range shifting realized with series resistors will have an effect to the sensor signal and should be avoided.

As a suggestion we measure the sensor resistance with a simple voltage divider as shown in Figure 8.  $V_H$  determines the heater voltage and therefore the operation temperature of the sensor. This regulation is described in a later chapter. Here we focus on the sensor resistance measuring. To meet the described specification a value of 10kOhm or 100kOhm for the load resistor ( $R_L$ ) and a Voltage of 5V for  $V_S$  is a good starting point for a broad range of the sensor applications. A high precision noise free voltage source is recommended for generating  $V_S$ .  $R_S$  and  $R_L$  form a voltage divider, which can be used to calculate  $R_S$  (see EQ 1).

$$(EQ1) \quad R_S = R_L \left( \frac{V_S}{V_{out}} - 1 \right)$$

**Figure 8:**  
A Basic Measurement Circuit for the Sensor Resistance



The resolution of the measurement of  $R_S$  is recommended to be better or equal to 1% of the actual reading. This allows making use of the full performance of the sensor. The requirements for the A/D conversion of the output voltage  $V_{out}$  is described in the following section.

The input impedance of the A/D converter should be high enough not to influence the level of the voltage divider, a ration of at least 10 between input impedance and values of  $R_S$  and/or  $R_L$  is recommended.

Averaging A/D conversion procedures are recommended in order to suppress fast resistance changes from the sensitive layer (resistive noise and change of the resistance due to chemical influences).

In order to achieve 1% of precision of the read-out of  $R_S$ , the A/D conversion of  $V_{out}$  needs lower resolution, if sensor- and load resistor match. A larger difference between  $R_S$  and  $R_L$  requires a higher resolution of the A/D conversion. The following figure gives a few examples for  $V_S = 5V$ .

**Figure 9:**  
Examples for Readout of  $R_S$  with 1% Resolution ( $V_S=5V$ )

$R_S$ [Ohm]	$R_L$ [Ohm]	$V_{out}$ [V]	A/D Voltage Step for 1% Resolution
100	10k	4.95	0.5mV
1k	10k	4.5454	4.1mV
10k	10k	2.5	12.4mV
100k	10k	0.4545	4.1mV
1M	10k	0.0495	0.5mV
1k	100k	4.95	0.5mV
10k	100k	4.5454	4.1mV
100k	100k	2.5	12.4mV
1M	100k	0.4545	4.1mV

**Examples for Readout of  $R_S$  with 1% Resolution:** The series resistor  $R_L$  has also the functionality to limit the power dissipated to the sensitive layer.

If the A/D conversion is single ended (common ground) it might be useful to change the sequence of load resistor and sensor resistor in the voltage divider. This enables to increase the resolution by using a lower reference voltage for the A/D conversion.



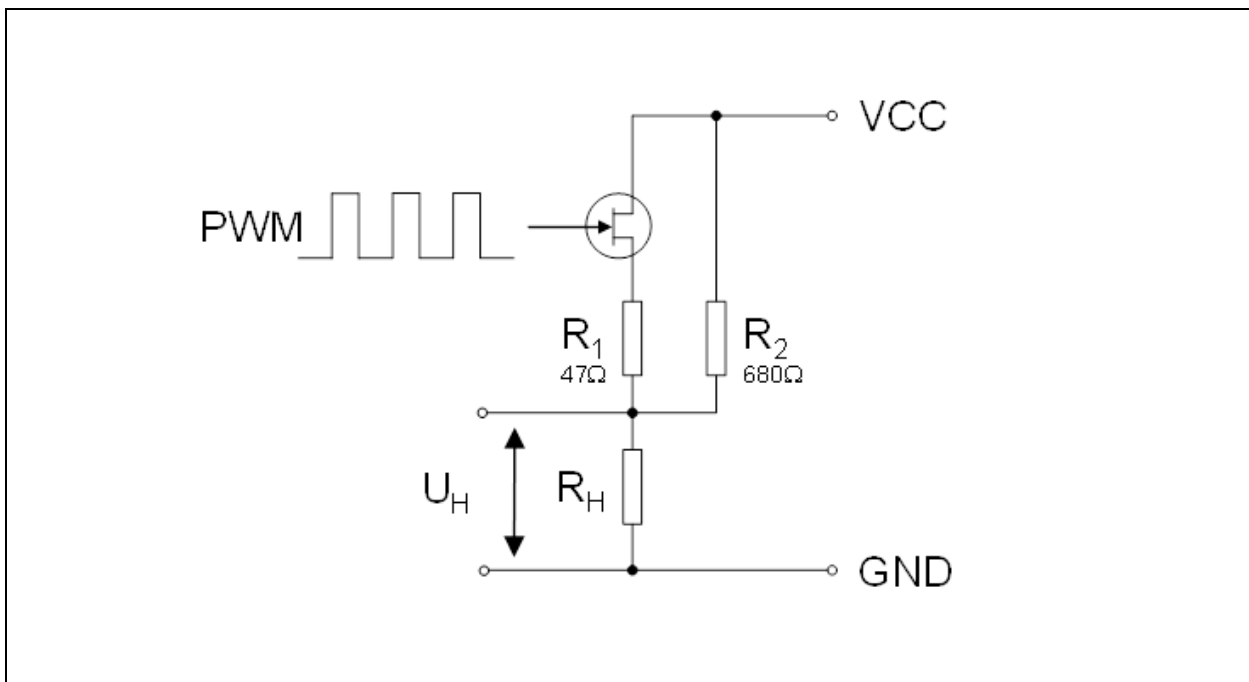
A constant current source can also be used to read-out the sensitive layer. In this case the electrical power dissipated in the sensitive layer must be limited and must not exceed 1mW for all values of  $R_S$ .

### Heater Control

To solve the application the sensor needs a certain temperature, the operation point. This temperature correlates with the heater resistance of the sensor module. The heater resistance and its TCR varies with production and the sensor temperature should be adjusted by applying a calibration step up front. In this calibration step the characteristic of the correlation of temperature and heater power is used. For iAQ applications the dependency for the operation temperature of  $\sim 300^\circ\text{C}$  is  $34\text{mW}$  @  $23^\circ\text{C} \pm 2^\circ\text{C}$ . The measured heater resistance value with this applied conditions is the set-point which will be important for the further operation.

Variation of ambient temperature may have an influence in the sensor temperature and its heater resistance. The chosen circuit shall be adjustable and should keep the heater resistance constant at the desired set-point. This can be solved by a basic PWM circuit shown in Figure 10.

**Figure 10:**  
Basic PWM Circuit for Heater Control



**Basic PWM Circuit for Heater Control:** A typically heater driver circuit, R1 is the current limit resistor, R2 is needed as a bypass resistor

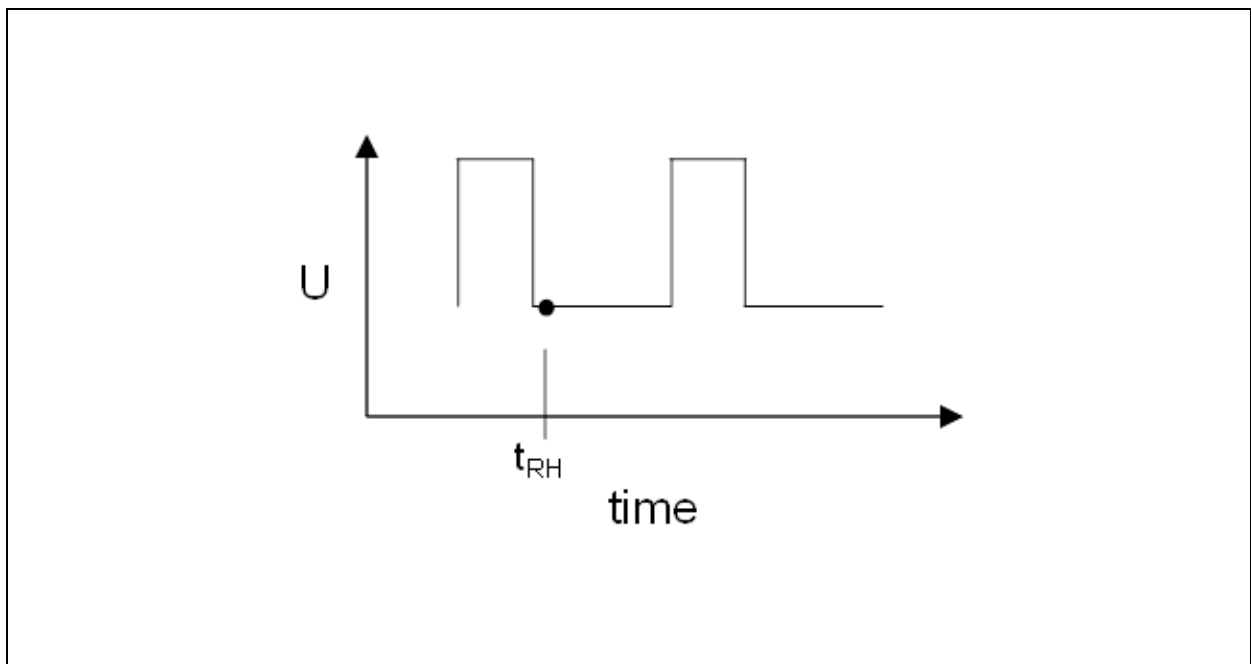
To use the example a p-channel MOSFET is mandatory; using an n-channel will need a change of the overall circuit design. In this case the Voltage VCC is 5V with a max ripple of 20mV, but the circuit is also valid for 3.3V. The circuit should be designed to achieve a PWM of 30-60% depending on heater set-point. This range gives the security that all specified environmental temperature ranges can be compensated.

The heater resistance should be measured at the beginning of the low phase indicated as  $t_{RH}$  in the drawing [Figure 11](#). The Voltage drop  $U_H$  is measured and  $R_H$  can be calculated as shown in [EQ 2](#).

$$(EQ2) \quad R_H = \frac{U_H \cdot R_2}{VCC - U_H}$$

Please note that this circuit are just mend to be an example and each circuit which can fulfill the conditions and respects the absolute maximum ratings of the sensor can be used.

**Figure 11:**  
Example of PWM Cycle with Measurement Point



The heater can also be controlled by a DAC controlled circuit with a voltage divider.

## Heater Calibration

As mentioned in the previous chapter the each sensor has its own set-point at the operation temperature. This set-point can be determined by a previous calibration step. This means that the AS-MLV-P2 is started at room temperature ( $23^{\circ}\text{C} \pm 3^{\circ}\text{C}$ ) and powered with 34mW. With these conditions the heater resistance is measured and stored into the EEPROM. This heater resistance is the certain set-point which is kept constant with the regulating PWM during operation.

## General Characteristics

The sensor has some native characteristics which should be considered in the application development.

### *Burn-In Behavior*

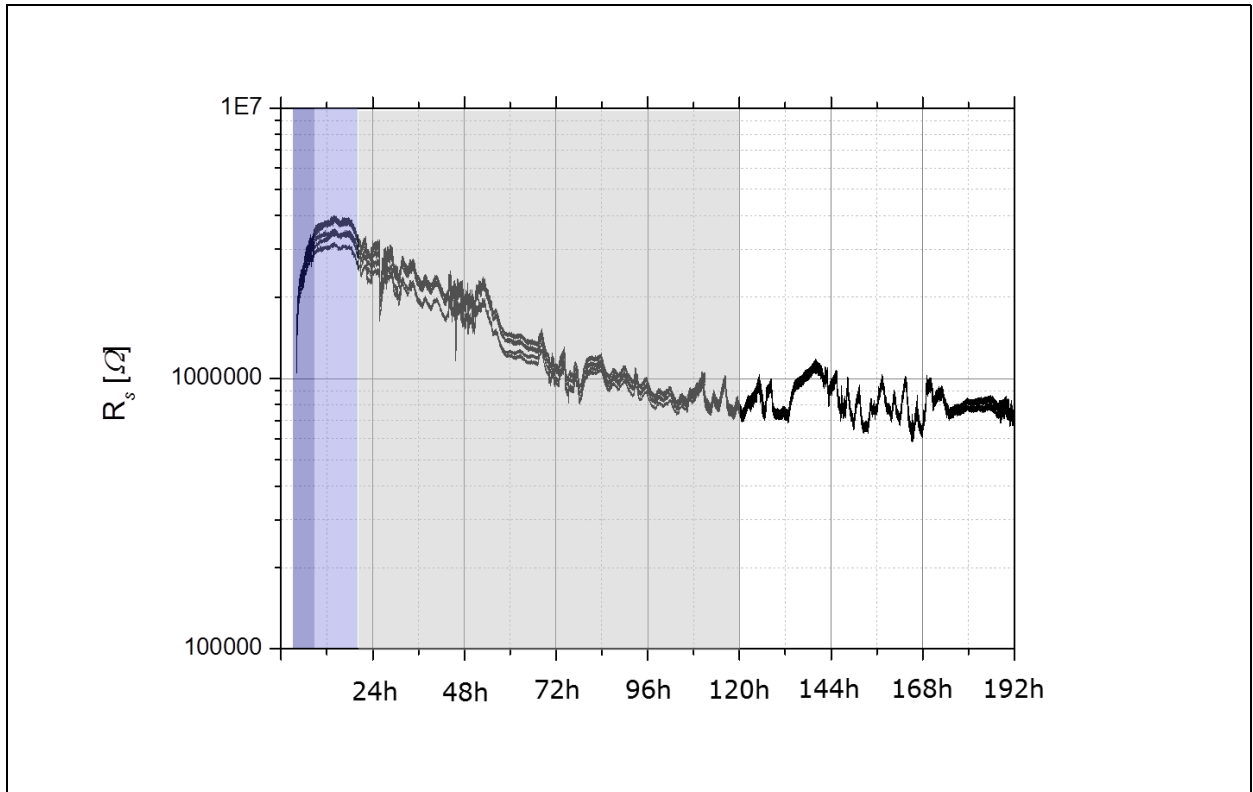
Once in lifetime the sensor performs a special burn in behavior, this curve is characterized in three phases which are described with the following figure.

**Figure 12:**  
**Burn-In of Sensor**

Description		Duration
Phase 1	Fast increase of the sensor resistance	~ 10 hours
Phase 2	Plateau with nearly stable baseline	~ 12 hours
Phase 3	Long drift like decrease of the sensor resistance	> 4 days

A characteristic example is shown in Figure 13. This behavior is caused due to manufacturing issues and is mandatory. After once following this issue it will never appear again. During the burn in phase the resistance range can be exceeded considerably.

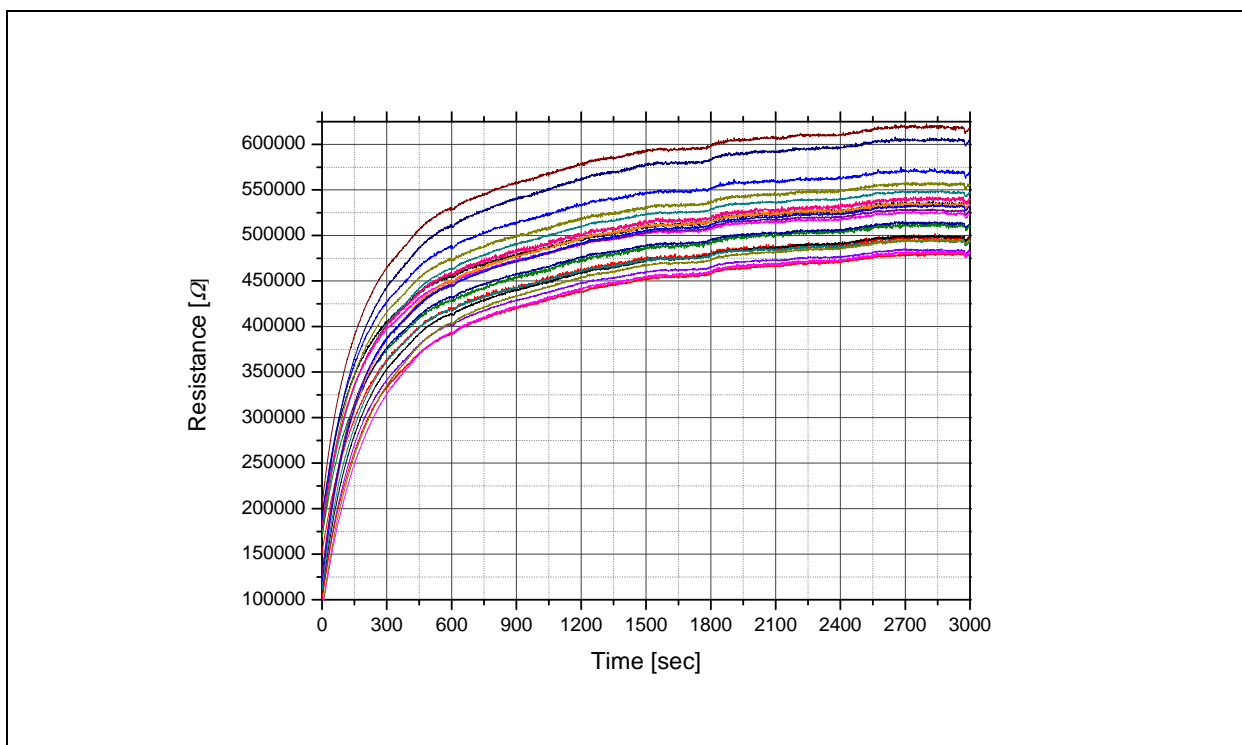
**Figure 13:**  
**Characteristic Resistance Curve during Burn-In**



### Run-In

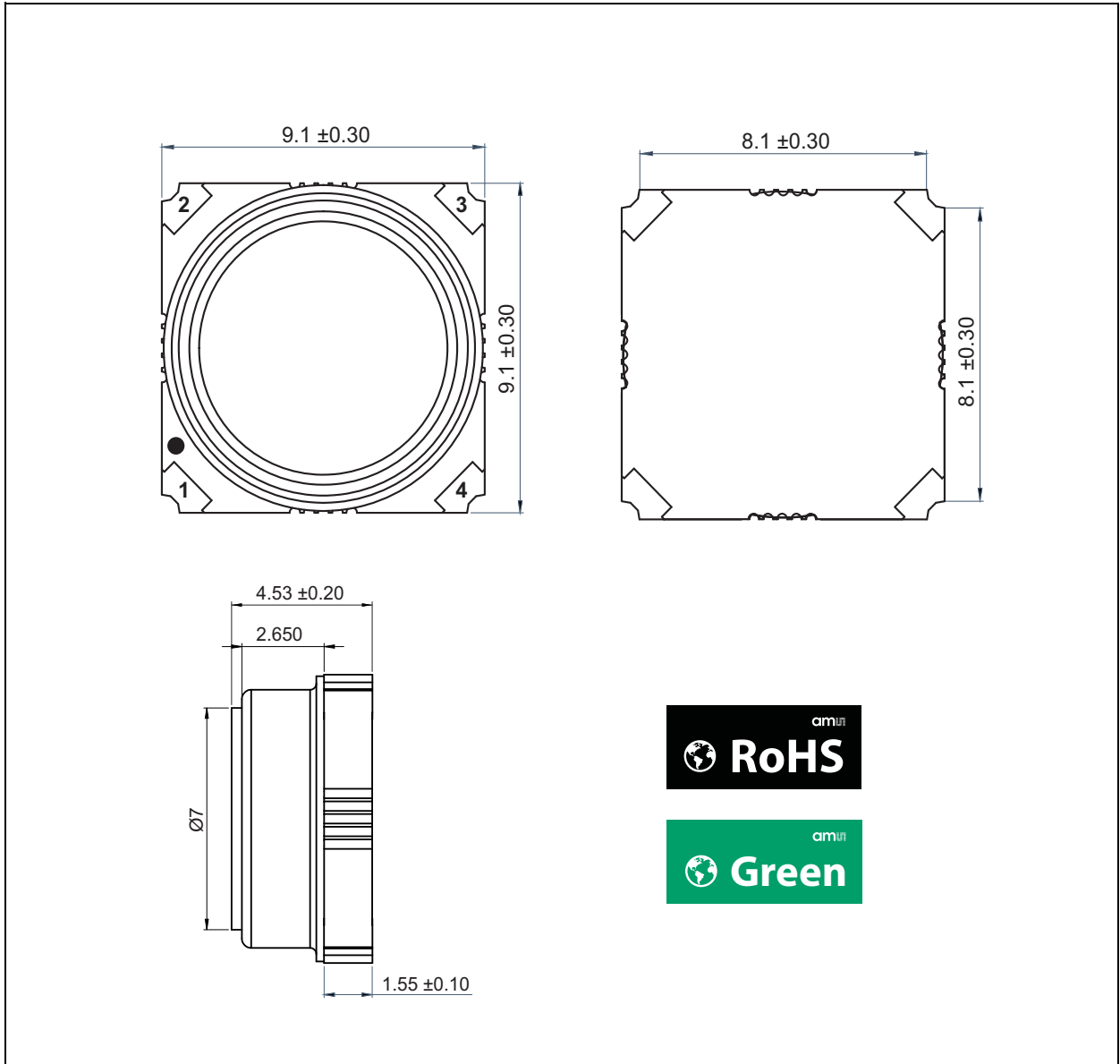
Each time after powering the sensor, the baseline of the sensitive layer performs a small run in phase. The curve is characterized with a steady increasing resistance. The length of this phase is depending on the sensors history. The longer the sensor was unpowered the longer the run in phase will take. The standard duration is approx. 3-5 minutes.

Figure 14:  
Run-In Phase of Sensor



## Mechanical Information

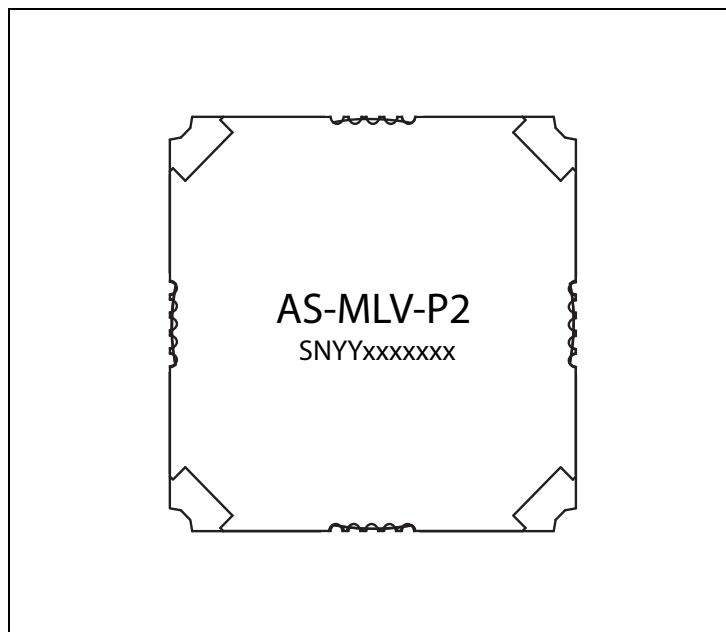
Figure 15:  
Module Dimensions



**Note(s):**

1. All Dimensions are in millimeters.

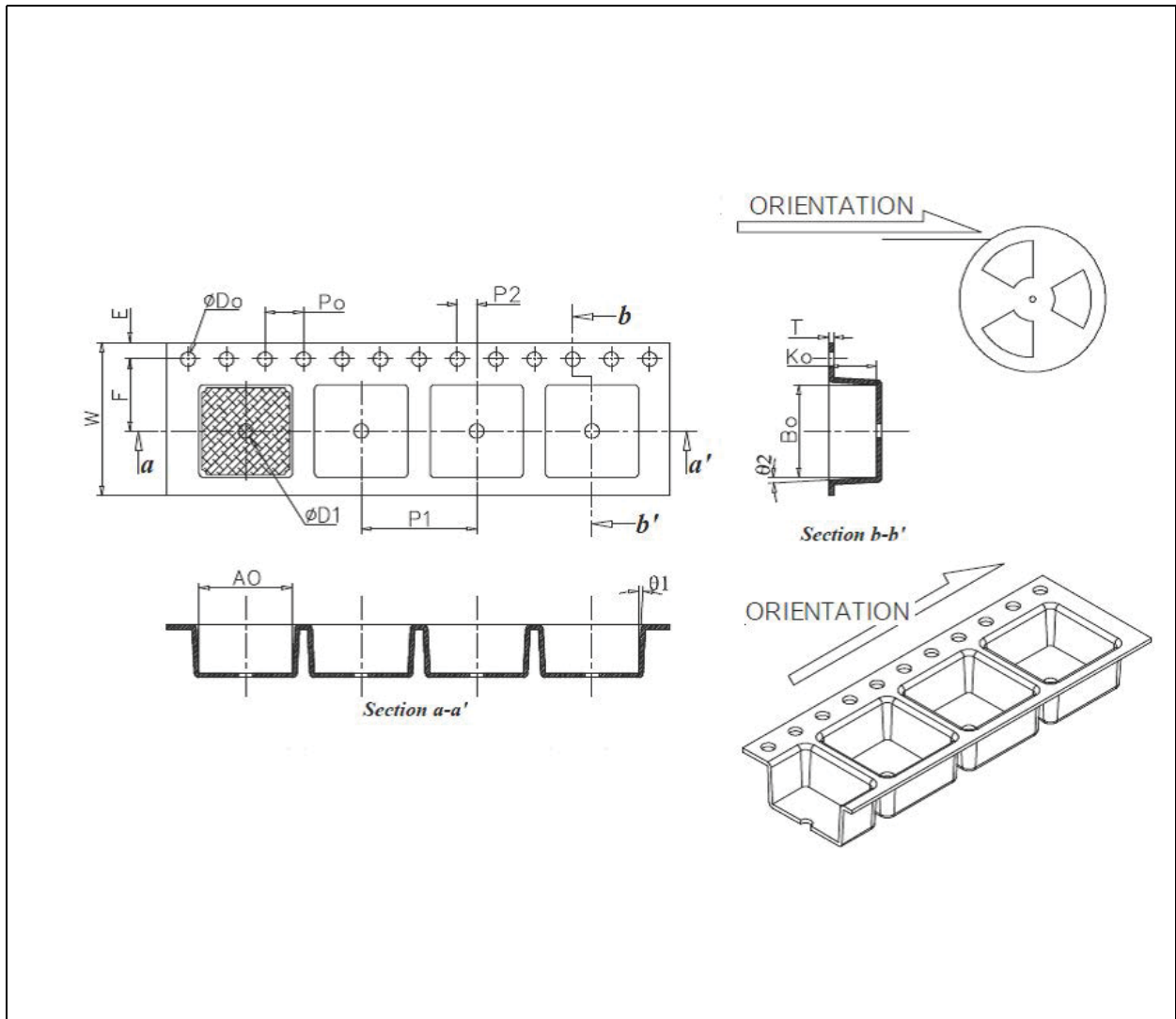
**Figure 16:**  
Module Markings



**Figure 17:**  
Module and Marking Elements

Item	Description
PCB Material	FR4 with gold surface (7µm Ni / 3µm Au)
Connector	Edge connector
Marking PIN1	White mark
Label	Laser mark AS-MLV-P2
Product name (first row)	AS-MLV-P2
Serial number (second row)	SNYYxxxxxxx
	YY → two digits production year
	xxxxxxx → 7 digits running number

Figure 18:  
Tape and Reel Information



Description	Items	Symbol	Value	Unit	Tolerance
Pocket	Length	Ao	9.70	mm	±0.10
	Width	Bo	9.70		
	Depth	Ko	5.00		
	Pitch	P1	12.00		
	Angle	θ1	3	Degree	Max.
Angle	θ2	3			



Description	Items	Symbol	Value	Unit	Tolerance
Perforation	Diameter	ØD0	1.50	mm	+0.10
	Diameter	ØD1	1.50		-0.00
	Pitch	P0	4.00		±0.10
	Pitch	P2	2.00		
	Position	E	1.75		
Distance between center line	Width	F	7.50		
Carrier tape material	Type	Echips			
	Width	W	16.00	mm	±0.30
	Thickness	T	0.50		±0.05
Requirement/ Notice	1. Camber 250mm. Should be less than 1.00mm by Camber gauge. 2. Must conform to E.I.A. Standard.				

**Note(s):**

1. All dimensions are in millimeters unless otherwise stated.
2. Unspecified dimension tolerance should be ±0.10mm.
3. Cumulative tolerance of 10 sprocket holes is ±0.20mm.

## Soldering Information

### Handling

The AS-MLV-P2 should be handled carefully, shear stress should be avoided. The sensor is protected against particles and liquids by a membrane. This membrane shall not be removed or touched.

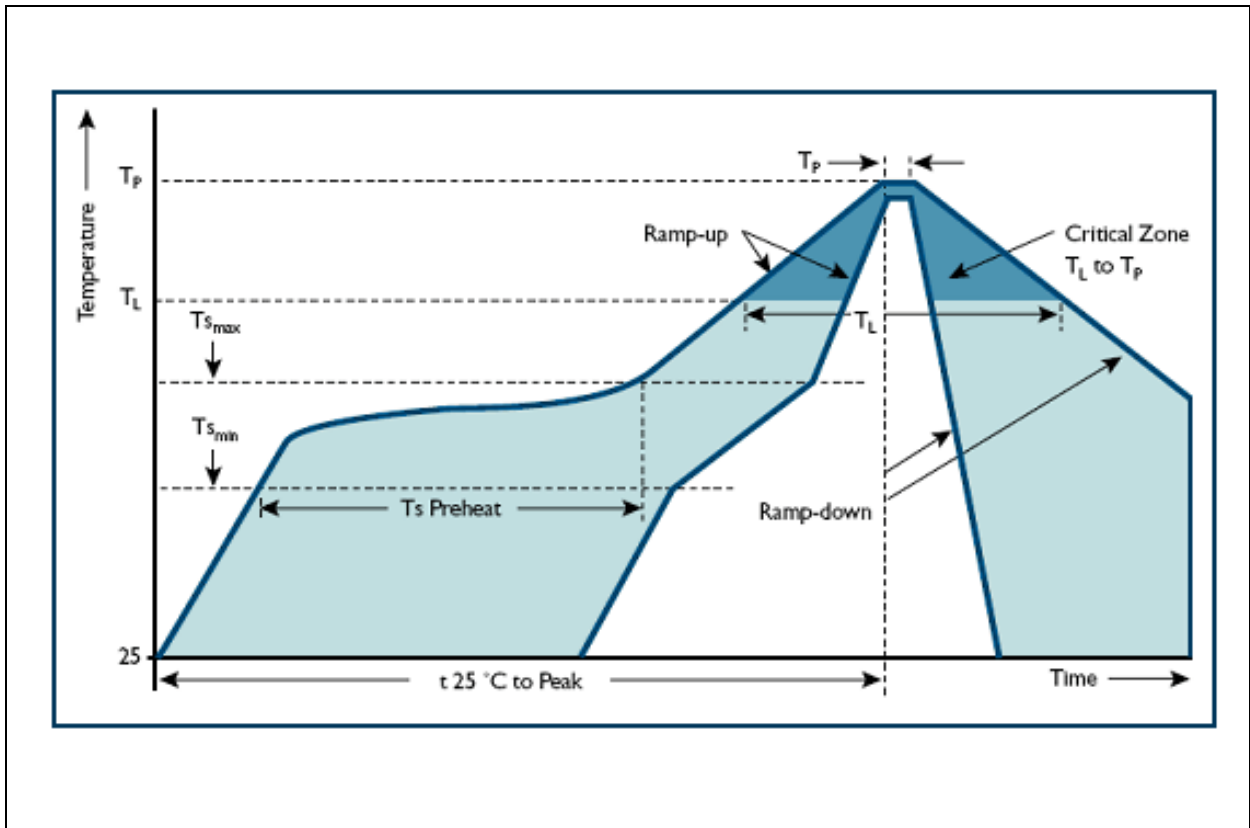
### Soldering Instructions

The AS-MLV-P2 can be soldered in standard reflow soldering ovens. The reflow oven shall be purged with clean air. Other gases must be avoided. For the lead free reflow process a standard process IPC/JEDEC J-STD-020 with peak temperature up to maximum 230°C on surface is suggested. See [Figure 19](#) for more detailed description.

**Note(s):** The device shall be kept clear of liquids; therefore a PCB washing process must be avoided in any case.

For manual soldering: contact must be limited to 5 seconds at a maximum temperature of 350°C.

Figure 19:  
Solder Reflow Graph



## Ordering & Contact Information

Figure 20:  
Ordering Information

Ordering Code	Marking	Delivery Form	Delivery Quantity
AS-MLV-P2	AS-MLV-P2	Tape & Reel	900

Buy our products or get free samples online at:

[www.ams.com/ICdirect](http://www.ams.com/ICdirect)

Technical Support is available at:

[www.ams.com/Technical-Support](http://www.ams.com/Technical-Support)

Provide feedback about this document at:

[www.ams.com/Document-Feedback](http://www.ams.com/Document-Feedback)

For further information and requests, e-mail us at:

[ams\\_sales@ams.com](mailto:ams_sales@ams.com)

For sales offices, distributors and representatives, please visit:

[www.ams.com/contact](http://www.ams.com/contact)

### Headquarters

ams AG  
Tobelbaderstrasse 30  
8141 Unterpremstaetten  
Austria, Europe

Tel: +43 (0) 3136 500 0

Website: [www.ams.com](http://www.ams.com)

## RoHS Compliant & ams Green Statement

**RoHS:** The term RoHS compliant means that ams AG products fully comply with current RoHS directives. Our semiconductor products do not contain any chemicals for all 6 substance categories, including the requirement that lead not exceed 0.1% by weight in homogeneous materials. Where designed to be soldered at high temperatures, RoHS compliant products are suitable for use in specified lead-free processes.

**ams Green (RoHS compliant and no Sb/Br):** ams Green defines that in addition to RoHS compliance, our products are free of Bromine (Br) and Antimony (Sb) based flame retardants (Br or Sb do not exceed 0.1% by weight in homogeneous material).

**Important Information:** The information provided in this statement represents ams AG knowledge and belief as of the date that it is provided. ams AG bases its knowledge and belief on information provided by third parties, and makes no representation or warranty as to the accuracy of such information. Efforts are underway to better integrate information from third parties. ams AG has taken and continues to take reasonable steps to provide representative and accurate information but may not have conducted destructive testing or chemical analysis on incoming materials and chemicals. ams AG and ams AG suppliers consider certain information to be proprietary, and thus CAS numbers and other limited information may not be available for release.

## Copyrights & Disclaimer

Copyright ams AG, Tobelbader Strasse 30, 8141 Unterpremstaetten, Austria-Europe. Trademarks Registered. All rights reserved. The material herein may not be reproduced, adapted, merged, translated, stored, or used without the prior written consent of the copyright owner.

Devices sold by ams AG are covered by the warranty and patent indemnification provisions appearing in its General Terms of Trade. ams AG makes no warranty, express, statutory, implied, or by description regarding the information set forth herein. ams AG reserves the right to change specifications and prices at any time and without notice. Therefore, prior to designing this product into a system, it is necessary to check with ams AG for current information. This product is intended for use in commercial applications. Applications requiring extended temperature range, unusual environmental requirements, or high reliability applications, such as military, medical life-support or life-sustaining equipment are specifically not recommended without additional processing by ams AG for each application. This product is provided by ams AG "AS IS" and any express or implied warranties, including, but not limited to the implied warranties of merchantability and fitness for a particular purpose are disclaimed.

ams AG shall not be liable to recipient or any third party for any damages, including but not limited to personal injury, property damage, loss of profits, loss of use, interruption of business or indirect, special, incidental or consequential damages, of any kind, in connection with or arising out of the furnishing, performance or use of the technical data herein. No obligation or liability to recipient or any third party shall arise or flow out of ams AG rendering of technical or other services.

## Document Status

Document Status	Product Status	Definition
Product Preview	Pre-Development	Information in this datasheet is based on product ideas in the planning phase of development. All specifications are design goals without any warranty and are subject to change without notice
Preliminary Datasheet	Pre-Production	Information in this datasheet is based on products in the design, validation or qualification phase of development. The performance and parameters shown in this document are preliminary without any warranty and are subject to change without notice
Datasheet	Production	Information in this datasheet is based on products in ramp-up to full production or full production which conform to specifications in accordance with the terms of ams AG standard warranty as given in the General Terms of Trade
Datasheet (discontinued)	Discontinued	Information in this datasheet is based on products which conform to specifications in accordance with the terms of ams AG standard warranty as given in the General Terms of Trade, but these products have been superseded and should not be used for new designs

## Revision Information

Changes from 1-00 (2015-Jul-10) to current revision 1-01 (2015-Oct-12)	Page
Updated Figure 3	2
Updated EQ1	7
Updated Figure 8	7

**Note(s):**

1. Page and figure numbers for the previous version may differ from page and figure numbers in the current revision.
2. Correction of typographical errors is not explicitly mentioned.

## Content Guide

<b>1</b>	<b>General Description</b>
1	Key Benefits & Features
1	Applications
<b>2</b>	<b>Pin Assignment</b>
<b>3</b>	<b>Environmental Specifications</b>
<b>4</b>	<b>Electrical Characteristics</b>
<b>5</b>	<b>Detailed Description</b>
5	Sensing Properties
6	Cross Sensitivities
<b>7</b>	<b>Application Information</b>
7	Sensor Resistance
9	Heater Control
11	Heater Calibration
11	General Characteristics
11	Burn-In Behavior
13	Run-In
<b>14</b>	<b>Mechanical Information</b>
<b>18</b>	<b>Soldering Information</b>
18	Handling
18	Soldering Instructions
<b>19</b>	<b>Ordering &amp; Contact Information</b>
<b>20</b>	<b>RoHS Compliant &amp; ams Green Statement</b>
<b>21</b>	<b>Copyrights &amp; Disclaimer</b>
<b>22</b>	<b>Document Status</b>
<b>23</b>	<b>Revision Information</b>