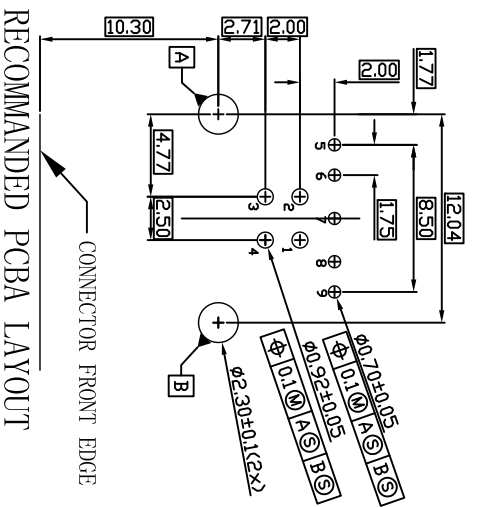
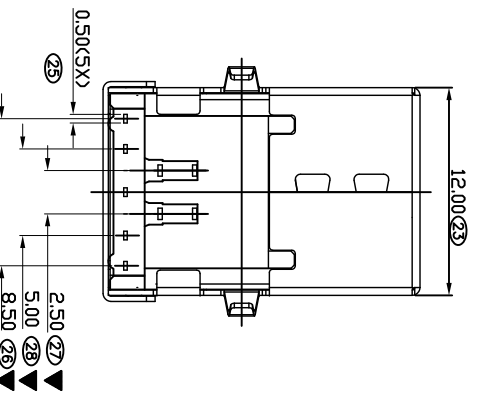


Pin Number	SIGNAL NAME
1	V-BUS
2	D-
3	D+
4	GND
5	Stda_SSRX-
6	Stda_SSRX+
7	GND_DRAIN
8	Stda_SSTX-
9	Stda_SSTX+
	Shell Shield

- NOTE:
- MATERIAL:
    - INSULATOR: LCP UL94V-0 BLUE
    - CONTACT: 1~4PIN, C5191 -H(T=0.20mm) 5~9PIN, C2680 -H(T=0.20mm) (T=0.30mm)
  - SHELL: FRONT SHELL, BRASS(T=0.30mm) COVER SHELL, SPCC(T=0.20mm)
  - ELECTRICAL CHARACTERISTICS:
    - CONTACT RESISTANCE: 30mΩ Max
    - CONTACT CURRENT RATING: 1.5A
    - DIELECTRIC WITHSTANDING VOLTAGE: 500 V R.M.S.
    - INSULATION RESISTANCE: 1000 MEGOHMS MIN.
    - OPERATING TEMPERATURE: -40°C ~ 85°C
  - MECHANICAL CHARACTERISTICS:
    - MATING FORCE: 35 N Max
    - UNMATED FORCE: 10 N Min INITIAL; 8 N Min AFTER TEST
    - DURABILITY: 5,000 CYCLES
  - PLATING
    - TERMINAL CONTACT: (SEE TAB) GOLD PLATING ALL OVER 50μ" MIN NICKEL AND 80μ" MIN Matte Tin ALL OVER 50μ" MIN NICKEL IN SOLDER AREA
    - SHELL: 150μ" MIN NICKEL OVER 200μ" MIN BRASS.

SECTION A-A



2014/06/06	Jody	Structural changes	A1
2012/03/06	XIE	NEW DWG	A0
DATE	DR.BY	ECN.NO.	DESCRIPTION MARK VER.

Cnc Tech, LLC

UNLESS OTHERWISE SPECIFIED		TITLE: USB3.0 BF DIP90度 15U"成品	
X.X	±0.25	X.X°	±3.00°
X.XX	±0.20	X.XX°	±1.00°
X.XXX	±0.15	X.XXX°	±0.500°
APPD:		PRODUCT NO: 1003-024-02000	
CHECK:		DATE	SCALE
DRAW:		2012/04/06	1:1
		UNIT	mm
		TYPE	Z
		PAGE	1/1