

Han 24ES-Press-SMC-MI-CCT-PE Press

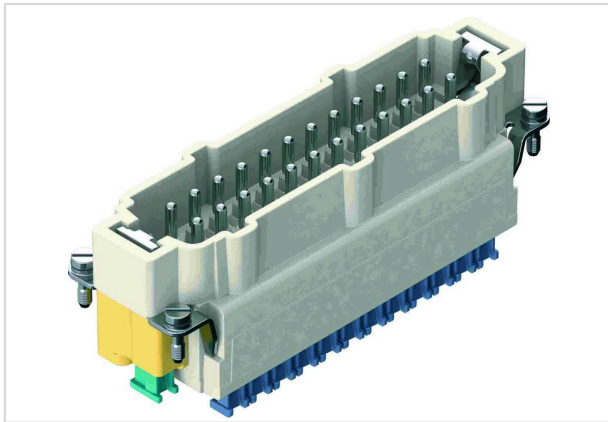


Image is for illustration purposes only. Please refer to product description.

Part number	09 33 024 2678
Specification	Han 24ES-Press-SMC-MI-CCT-PE Press
HARTING eCatalogue	https://b2b.harting.com/09330242678

Identification

Category	Inserts
Series	Han [®] ES Press
Specification	Cage clamp termination for PE connection

Version

Termination method	Cage-clamp termination
Gender	Male
Size	24 B
Number of contacts	24
PE contact	Yes
Details	Blue slide for hoods/housings high construction only

Technical characteristics

Conductor cross-section	0.14 ... 2.5 mm ²
Conductor cross-section	AWG 26 ... AWG 14
Rated current	16 A
Rated voltage	500 V
Rated impulse voltage	6 kV
Pollution degree	3
Rated voltage acc. to UL	600 V
Rated voltage acc. to CSA	600 V
Insulation resistance	>10 ¹⁰ Ω



Pushing Performance
Since 1945

Technical characteristics

Contact resistance	≤3 mΩ
Stripping length	9 ... 11 mm
Limiting temperature	-40 ... +125 °C
Mating cycles	≥500

Material properties

Material (insert)	Polycarbonate (PC)
Colour (insert)	RAL 7032 (pebble grey)
Material (contacts)	Copper alloy
Surface (contacts)	Silver plated
Colour (accessories)	Blue
Material flammability class acc. to UL 94	V-0

Specifications and approvals

Specifications	IEC 60664-1 IEC 61984
UL / CSA	CSA-C22.2 No. 182.3 PVVA8.E318390
Approvals	DNV GL

Commercial data

Packaging size	1
Net weight	1 g
Country of origin	Germany
European customs tariff number	85366990
GTIN	5713140186316
ETIM	EC000438
eCl@ss	27440205 Contact insert for industrial connectors