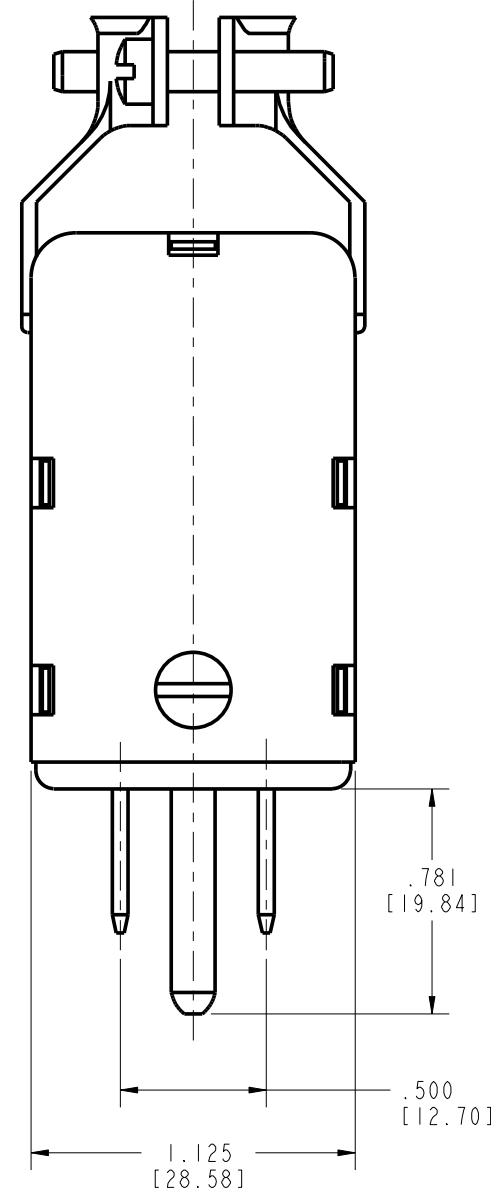
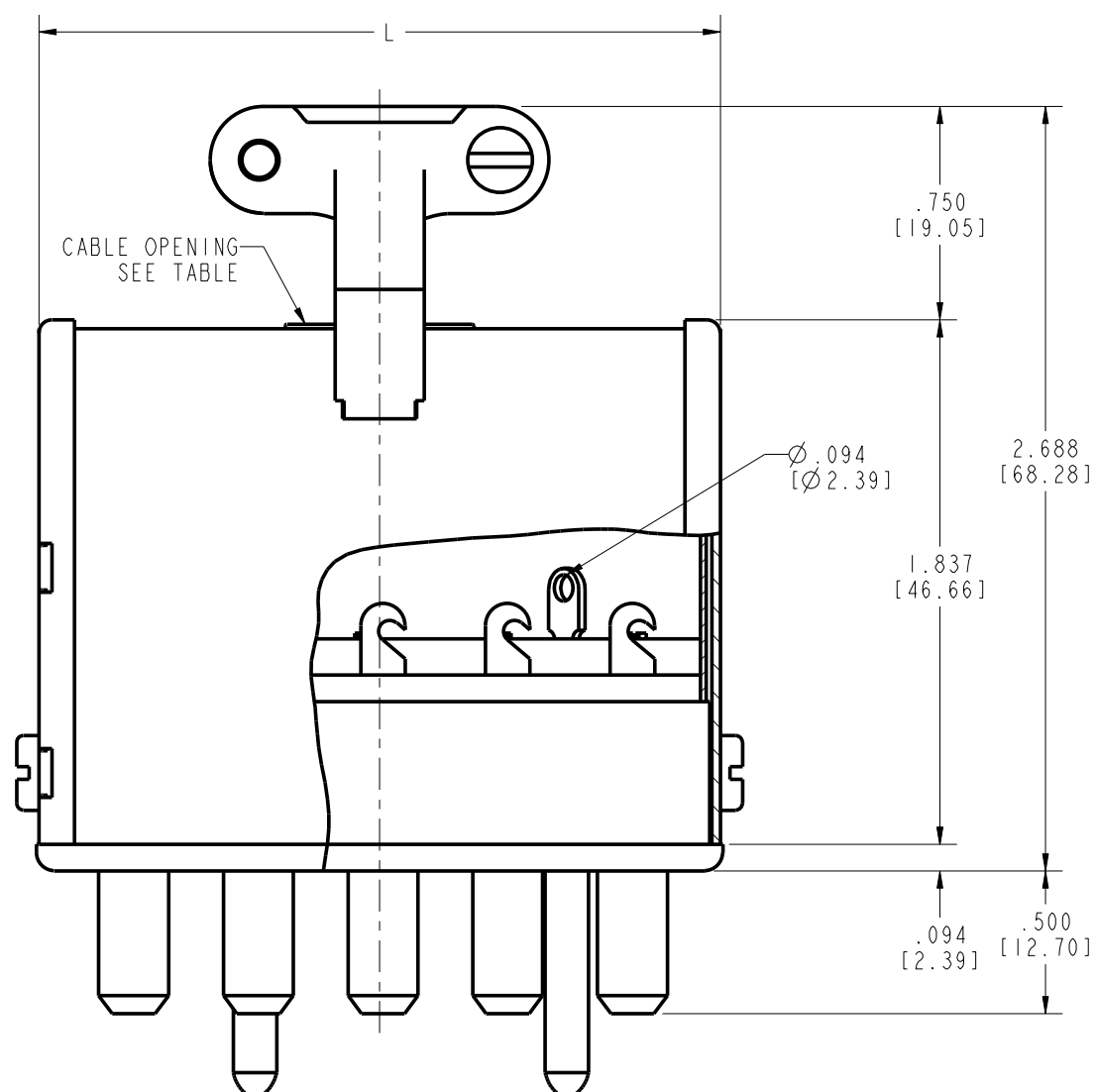


DRAWING REVISIONS

REV	DOCUMENT	APP	DATE
1	DO 06-1068		



NOTES:

1. SPECIFICATIONS:

ELECTRICAL:  
 OPERATING VOLTAGE: 250 VAC RMS  
 CURRENT RATING: 15 AMPS  
 CURRENT RESISTANCE: 1.0 MILLIOHMS MAXIMUM

INSULATOR: MOLDED MONBLOCK, GENERAL PURPOSE PHENOLIC, BLACK

CONTACT: BRASS, MATTE TIN

BRACKET, SCREW: STEEL, ZINC WITH CLEAR TRIVALENT CHROME

CAP: BLACK CRINKLE

LINER: PAPER, CELLULOSE BASED, UL 94V-0

ENVIRONMENTAL:  
 OPERATING TEMPERATURE: UP TO +105°C

TERMINATION: SOLDER

2. DIMENSIONS IN [ ] ARE MILLIMETERS

3. ALL DIMENSIONS ARE REFERENCE

PART NUMBER	SIZE	L	CABLE OPENING	FACTORY NUMBER
P-2404H-CCT	4	1.063 [27.00]	.438 [11.13]	703 03 04 002
P-2406H-CCT	6	1.500 [38.10]	.438 [11.13]	703 03 06 002
P-2408H-CCT	8	1.938 [49.23]	.563 [14.30]	703 03 08 002
P-2410H-CCT	10	2.375 [60.33]	.563 [14.30]	703 03 10 002
P-2412H-CCT	12	2.813 [71.45]	.625 [15.88]	703 03 12 002

RoHS COMPLIANT

MODELED BY:  
JIMENEZ

UNITS		PRO/E		Cinch		1700 FINLEY RD LOMBARD, IL. 60148	
ENGLISH INCHES		DATE		TITLE		CONTROL SPEC NUMBER	
DO NOT SCALE DRAWING		8/1/06		PLUG AND CAP ASSEMBLIES		06-1068	
UNLESS OTHERWISE SPECIFIED: ALL DIMENSIONS ARE IN INCHES		DRAWN BY		MATERIAL		PROJECT NUMBER	
FILLET/RADII .02 MAX		JIMENEZ				C14789-2	
TOLERANCES XXX ± .01 XXX ± .005 ANGULAR ± .05		DESIGN ENGINEER		MATERIAL SPEC NUMBER		FINISH	
		A. BALI					
		DESIGN ENGINEERING MGR.		CAD FILE NUMBER		DRAWING NUMBER	
				P2404HCCT		P-2404H-CCT	
THIS DOCUMENT IS THE PROPERTY OF CINCH. NEITHER THIS DOCUMENT NOR ANY OF THE INFORMATION CONTAINED IN IT MAY BE DUPLICATED OR DISCLOSED WITHOUT PRIOR WRITTEN CONSENT OF CINCH.		MFG. ENGINEERING		CAGE IDENT NO. SIZE		SCALE	
		QUALITY ASSURANCE		71785 B		1.000 SHEET 1 OF 1	