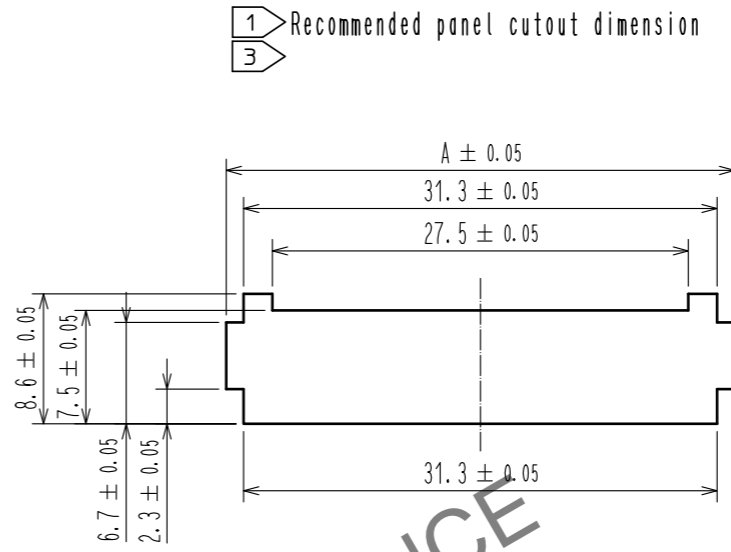
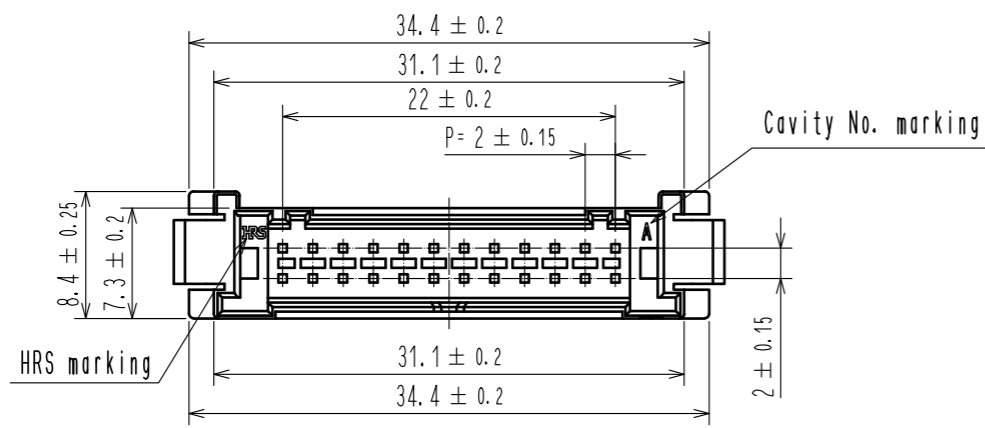
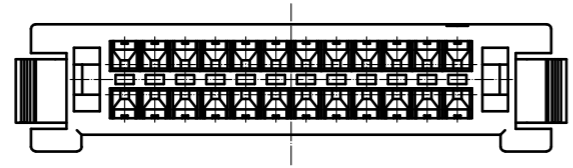
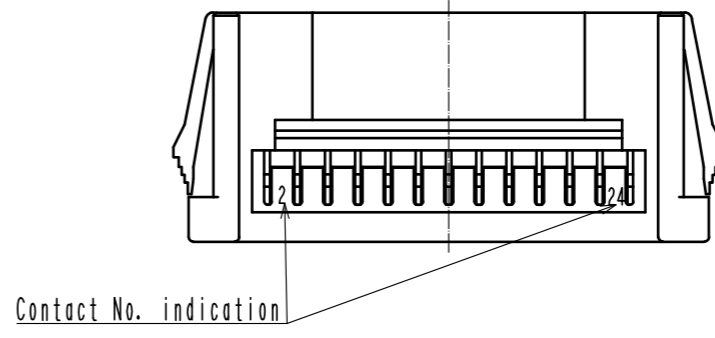
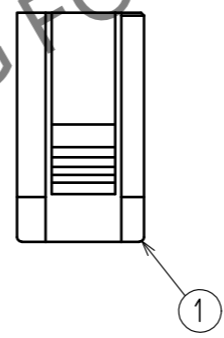
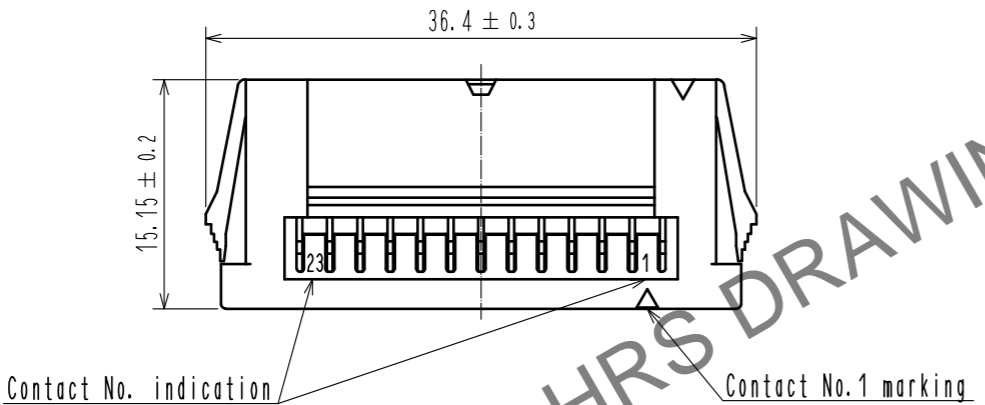


Apr.1.2026 Copyright 2026 HIROSE ELECTRIC CO., LTD. All Rights Reserved.
In case of consideration for using Automotive equipment / device which demand high reliability, kindly contact our sales window correspondents.



2

Panel thickness	A
0.5~0.8	33.6
0.9~1.3	34.1
1.4~1.8	34.5
1.9~2.3	34.9



HRS DRAWING FOR REFERENCE

- Note
- 1 Please use non-radius side for the panel hooking area.
 - 2 Applicable panel thicknessing is 2.3 to 0.5 mm.
 - 3 Consult hirose for the other panel cutout designs than recommended one.
 - 4. Per pack : 100 pieces.
 - 5. UL(File No. E52653),
C-UL(File No. E52653) authorization article



NO.		MATERIAL		FINISH . REMARKS		1	PBT	UL94V-0. BLACK
UNITS mm		SCALE 2 : 1	COUNT 1	DESCRIPTION OF REVISIONS DIS-H-00004547		DESIGNED TS. MIYAKI	CHECKED SZ. ONO	DATE 20181225
HRS HIROSE ELECTRIC CO., LTD.		APPROVED : HS. OKAWA	20160601	DRAWING NO.		EDC-366292-00-00		
		CHECKED : YN. TAKASHITA	20160601	PART NO.		DF51-24DEP-2C		
		DESIGNED : TT. OHSAKO	20160601	CODE NO.		CL543-5081-0-00		
		DRAWN : TT. OHSAKO	20160601					