

THE INFORMATION CONTAINED HEREIN IS CONSIDERED PROPRIETARY TO BEL FUSE INC. AND SHALL NOT BE COPIED, REPRODUCED OR DISCLOSED WITHOUT THE WRITTEN APPROVAL OF BEL FUSE INC.

RoHS
2002/95/EC



| LED 1 POLARITY | | | LED 2 POLARITY | | |
|----------------|--------|--------|----------------|--------|--------|
| PIN 13 | PIN 14 | COLOR | PIN 15 | PIN 16 | COLOR |
| + | - | YELLOW | + | - | YELLOW |
| - | + | GREEN | - | + | GREEN |

ELECTRICAL CHARACTERISTICS @ 25°C

TURNS RATIO

| | |
|-----|---------------|
| TP1 | 1CT : 1CT ±2% |
| TP2 | 1CT : 1CT ±2% |
| TP3 | 1CT : 1CT ±2% |
| TP4 | 1CT : 1CT ±2% |

OCL @ 100kHz/100mVRMS
8mA DC BIAS

350µH MIN.

INS. LOSS

| | |
|------------------|-------------|
| 0.1MHz TO 1MHz | -1.1 dB MAX |
| 1MHz TO 65MHz | -0.5 dB MAX |
| 65MHz TO 100MHz | -0.8 dB MAX |
| 100MHz TO 125MHz | -1.2 dB MAX |

RET. LOSS (MIN)

| | |
|--------------|-----------------------|
| 0.5MHz-40MHz | -18 dB |
| 40MHz-100MHz | -12+20LOG(f/80MHz) dB |

CROSS TALK

100kHz - 100MHz -33+20LOG(f/100MHz)dB MIN

CM TO CM REJ

100kHz - 100MHz -30 dB MIN

CM TO DM REJ

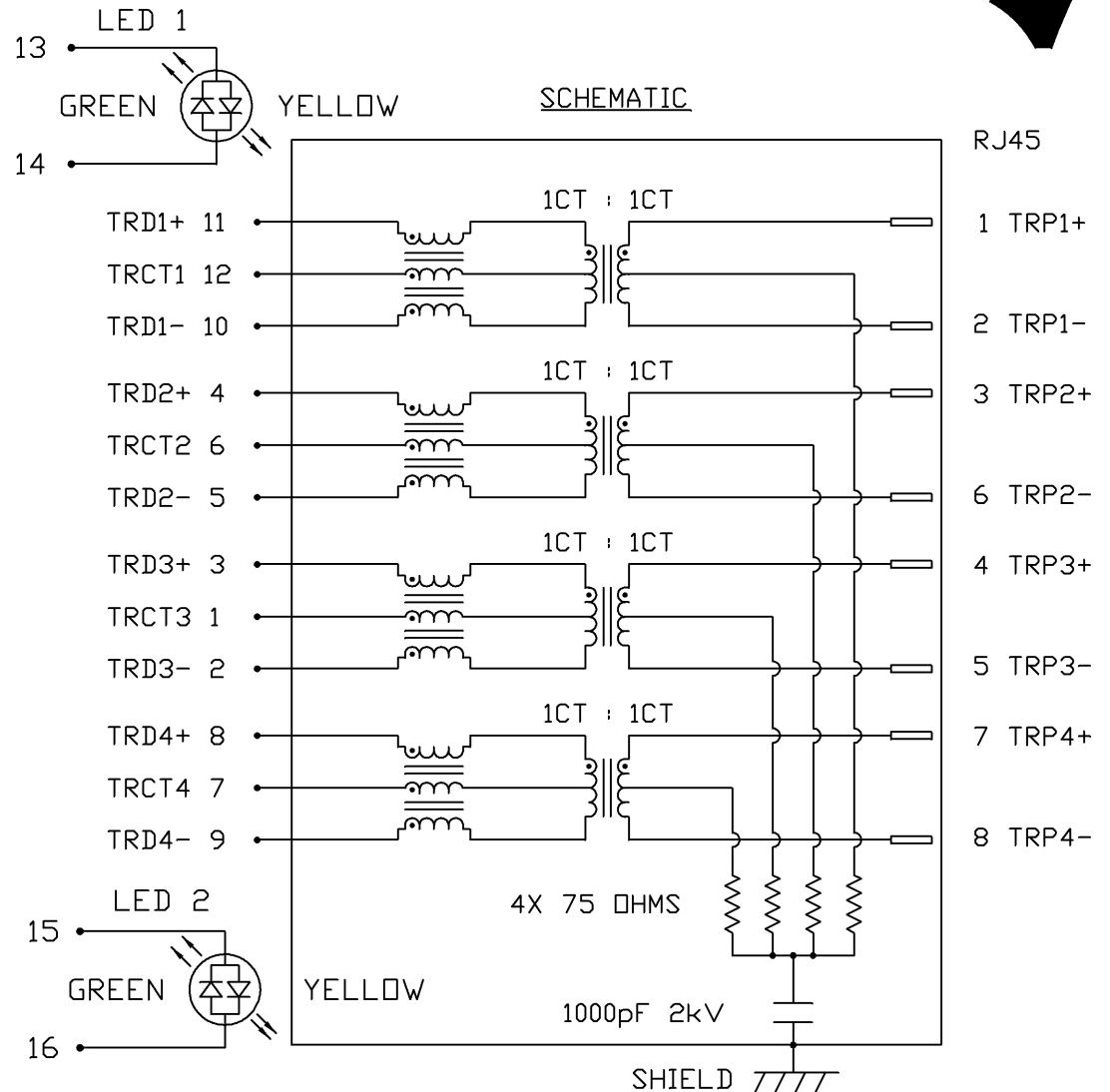
100kHz - 100MHz -35 dB MIN

HIPOT (Isolation Voltage): 1500 Vrms or 2250VDC

100% OF PRODUCTION TESTED TO COMPLY WITH IEEE 802.3 ISOLATION REQUIREMENTS.

LED 1 & LED 2

| | | | |
|---------------------------------|---------|--------|------------|
| VF (FORWARD VOLTAGE) | IF=20mA | GREEN | 2.2V TYP. |
| | | YELLOW | 2.1V TYP. |
| λD (DOMINANT WAVELENGTH) | IF=20mA | GREEN | 565nm TYP. |
| | | YELLOW | 590nm TYP. |



| ORIGINATED BY | DATE | TITLE | PART NO. / DRAWING NO. | STANDARD DIM. TOL. IN INCH | [] METRIC DIM. AS REFERENCE |
|---------------|----------|---------------------------------------|------------------------|----------------------------|------------------------------|
| CHOW WANCHUNG | 07-31-08 | gigabit MagJack® (8 cores, Tab Up) | 08261C1T43-F | .X | UNIT : INCH [mm] REV. : B |
| DRAWN BY | DATE | | FILE NAME | .XX | SCALE : N/A SIZE : A4 |
| WEIDE LEE | 07-31-08 | 0826-1C1T-43-F | 08261C1T43-F_B.DWG | .XXX | PAGE : 2 |



002(2)032305

This document is electronically generated. This is a controlled copy if used internally

Please read our datasheet & drawing disclaimer [here](#).

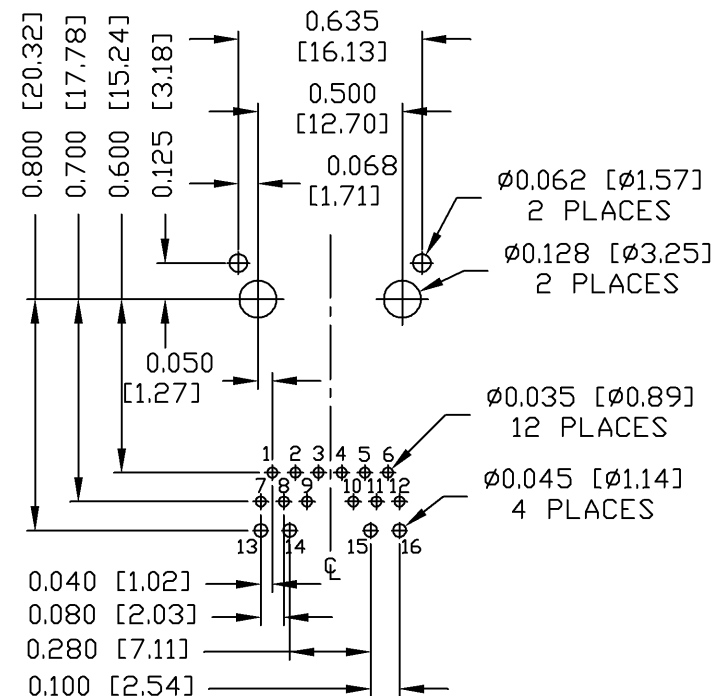
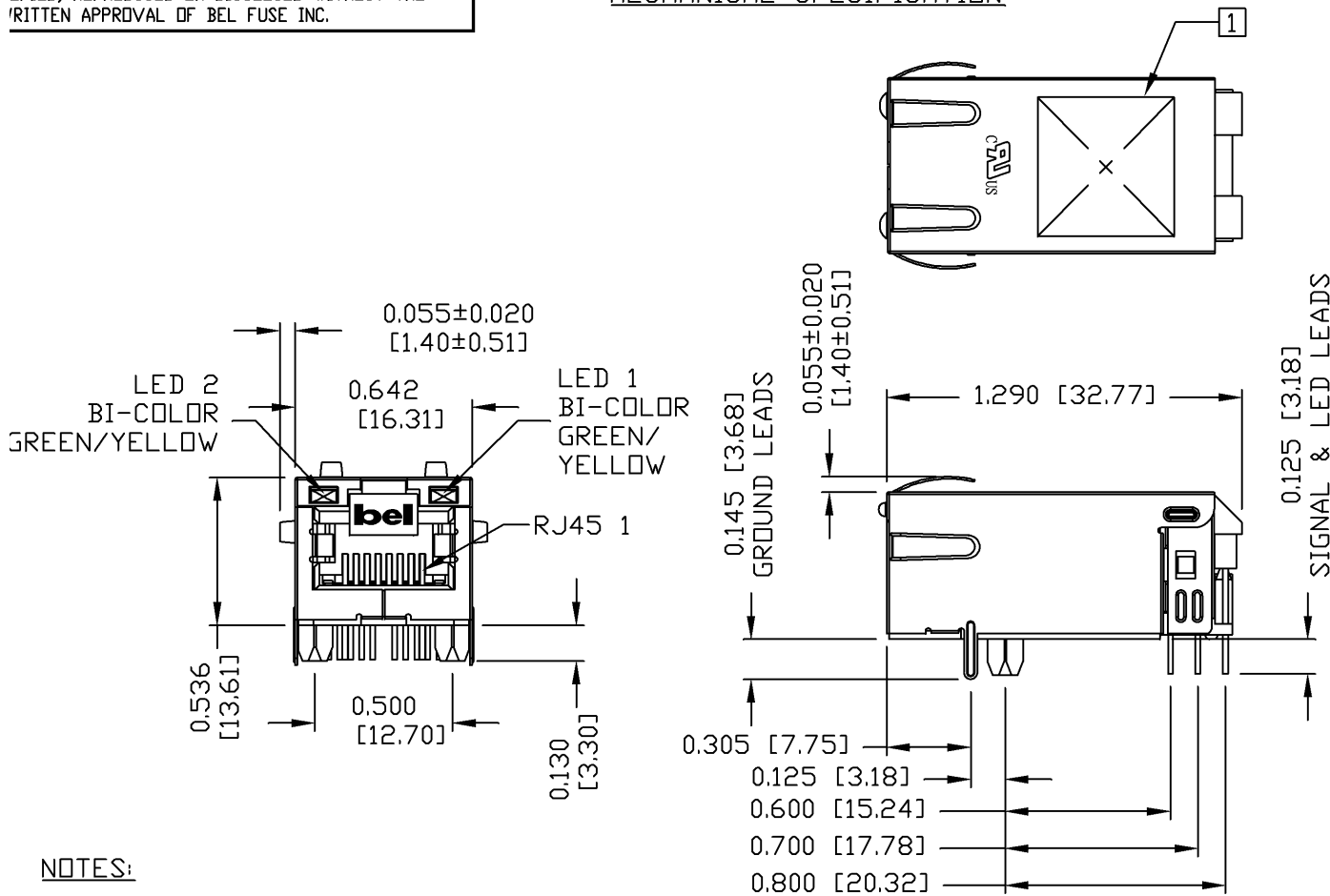
THE INFORMATION CONTAINED HEREIN IS CONSIDERED PROPRIETARY TO BEL FUSE INC. AND SHALL NOT BE COPIED, REPRODUCED OR DISCLOSED WITHOUT THE WRITTEN APPROVAL OF BEL FUSE INC.

MECHANICAL SPECIFICATION

RoHS
2002/95/EC



RECOMMENDED PCB FOOTPRINT
COMPONENT SIDE VIEW



NOTES:

- PLASTIC HOUSING: THERMOPLASTIC PA
FLAMMABILITY RATING UL 94V-0
- CONTACTS: 50 MICRO-INCH HARD GOLD PLATING
- OUTPUT PINS: TIN-COATED COPPER WIRE, DIA 0.018 INCH.
- METAL SHIELD: NICKEL PLATED ON COPPER ALLOY.
(ALL GROUND LEADS ARE SOLDER DIPPED)

1. MARK PART WITH MFG LOGO, MFG NAME, PART NUMBER AND DATE CODE.

UL RECOGNIZED - FILE #E196366 AND E169987.
JACK CAVITY CONFORMS TO FCC RULES AND REGULATIONS.
RoHS COMPLIANT, PER EU DIRECTIVE 2002/95/EC

| | | | | | | |
|---------------------------|------------------|--|--|-------------------------------|------------------------------|---|
| ORIGINATED BY ZX HUANG | DATE 07-31-08 | TITLE gigabit MagJack® (8 cores, Tab Up) 0826-1C1T-43-F | PART NO. / DRAWING NO. 08261C1T43-F | STANDARD DIM. TOL. IN INCH | [] METRIC DIM. AS REFERENCE | COMPONENTS FOR A CONNECTED PLANET |
| DRAWN BY BL CHEN | DATE 07-31-08 | | FILE NAME 08261C1T43-F_B.DWG | .X | UNIT : INCH [mm] | |
| | | | .XX | SCALE : N/A | SIZE : A4 | |
| | | | .XXX ±0.010 | | PAGE : 3 | |

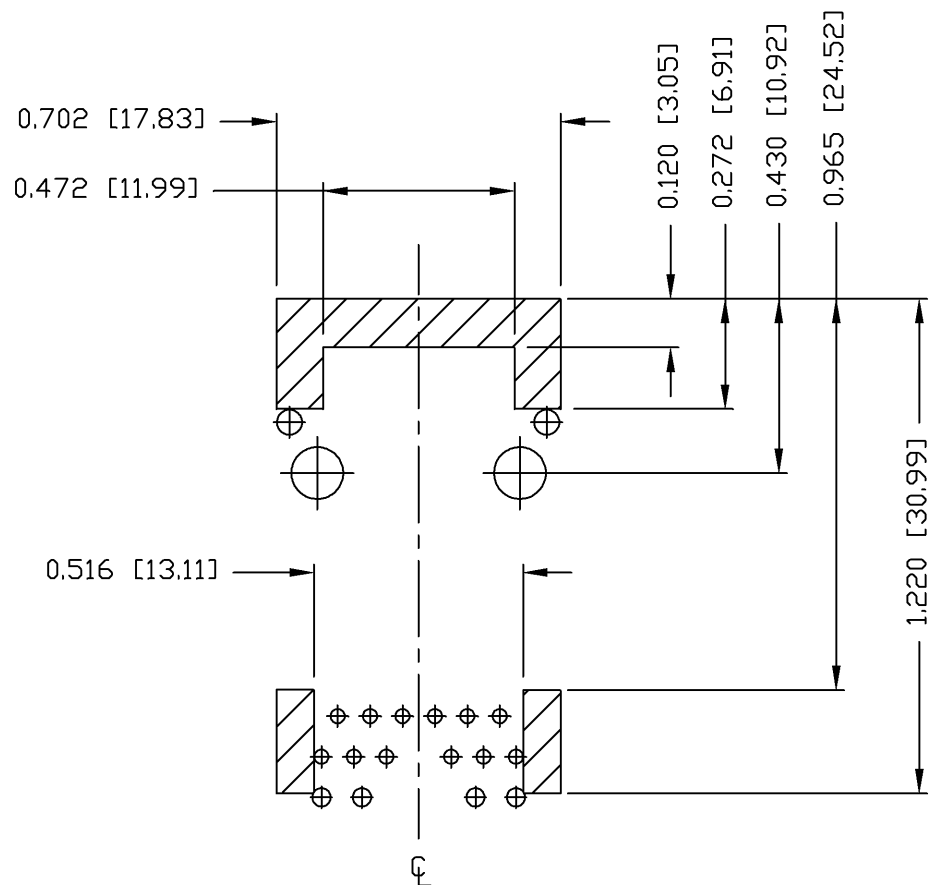
002(2)032305

This document is electronically generated. This is a controlled copy if used internally

Please read our datasheet & drawing disclaimer [here](#).

THE INFORMATION CONTAINED HEREIN IS CONSIDERED PROPRIETARY TO BEL FUSE INC. AND SHALL NOT BE COPIED, REPRODUCED OR DISCLOSED WITHOUT THE WRITTEN APPROVAL OF BEL FUSE INC.

RoHS
2002/95/EC



NOTES

THE SHADED AREA ON THE CUSTOMER BOARD ARE RECOMMENDED TO BE CLEAR OFF ANY VIA HOLE OR COMPONENT PAD.

| ORIGINATED BY | DATE | TITLE | PART NO. / DRAWING NO. | STANDARD DIM. TOL. IN INCH | [] METRIC DIM. AS REFERENCE | REV. : |
|---------------|----------|---------------------------------------|------------------------|----------------------------|------------------------------|-----------|
| ZX HUANG | 07-31-08 | gigabit MagJack® (8 cores, Tab Up) | 08261C1T43-F | .X | UNIT : INCH [mm] | B |
| DRAWN BY | DATE | | | .XX | SCALE : N/A | SIZE : A4 |
| BL CHEN | 07-31-08 | | | .XXX | ±0.004 | PAGE : 4 |



002(2)032305

This document is electronically generated. This is a controlled copy if used internally

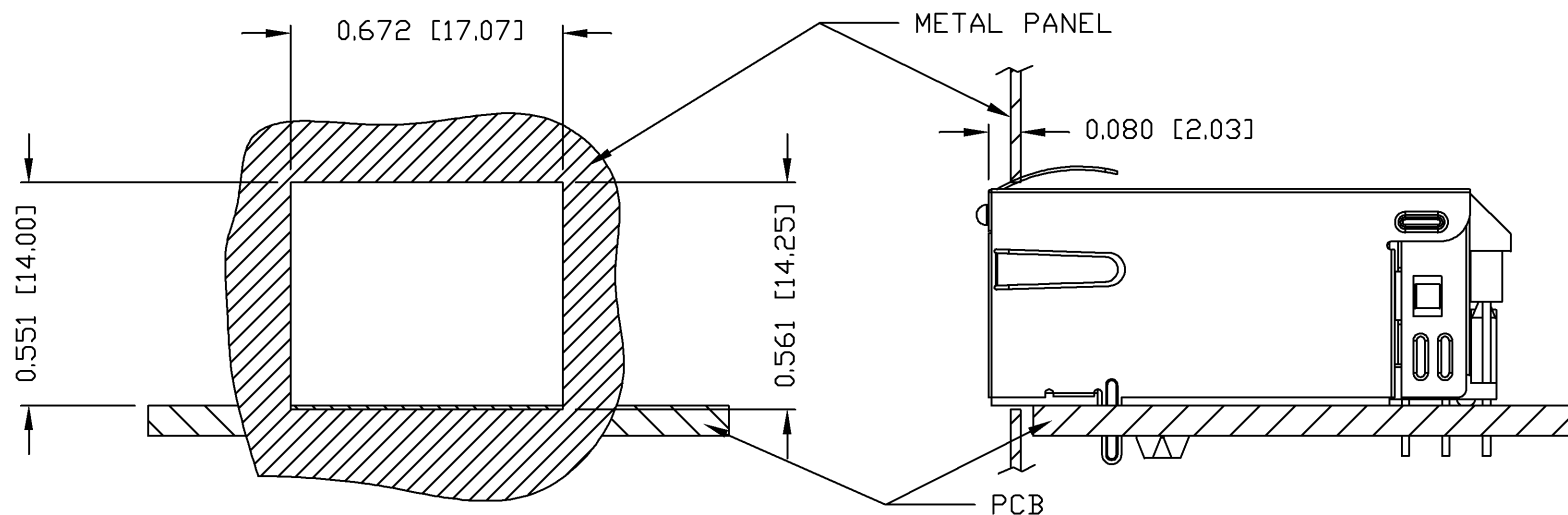
Please read our datasheet & drawing disclaimer [here](#).

THE INFORMATION CONTAINED HEREIN IS CONSIDERED "PROPRIETARY" TO BEL FUSE INC. AND SHALL NOT BE COPIED, REPRODUCED OR DISCLOSED WITHOUT THE WRITTEN APPROVAL OF BEL FUSE INC.

RoHS
2002/95/EC



SUGGESTED PANEL OPENING



NOTE:

THE DISTANCE OF PANEL INSIDE SURFACE RELATIVE TO FRONT SURFACE OF PART IS ONLY A SUGGESTION. IN CASE THIS DISTANCE IS DIFFERENT, THE REQUIRED PANEL OPENING DIMENSIONS CHANGE ACCORDINGLY.

PACKING INFORMATION

PACKING TRAY : 0200-9999-F6 (TOP)

0200-9999-F7 (BOTTOM)

PACKING QUANTITY : 40 PCS FINISHED GOODS PER TRAY

10 TRAYS (400 PCS FINISHED GOODS) PER CARTON BOX

NOTE : CARDBOARDS ARE PLACED BETWEEN LAYERS OF PACKING TRAY INSIDE CARTON BOX

(INCLUDE THE UPPERMOST AND LOWERMOST TRAY)

| ORIGINATED BY | DATE | TITLE | PART NO. / DRAWING NO. | STANDARD DIM. | | [] METRIC DIM. AS REFERENCE | | REV. : B | bel |
|---------------|----------|---------------------------------------|------------------------|---------------|--------|------------------------------|-----------|---|-----|
| | | | | TOL. IN INCH | | UNIT : INCH [mm] | SIZE : A4 | | |
| ZX HUANG | 07-31-08 | gigabit MagJack® (8 cores, Tab Up) | 08261C1T43-F | .X | | SCALE : N/A | PAGE : 5 | COMPONENTS FOR A CONNECTED PLANET | |
| RAWN BY | DATE | | | .XX | | | | | |
| BL CHEN | 07-31-08 | | | .XXX | ±0.004 | | | | |
| FILE NAME | | | 08261C1T43-F_B.DWG | | | | | | |

002(2)032305

This document is electronically generated. This is a controlled copy if used internally

Please read our datasheet & drawing disclaimer [here](#).